

STI HORN/STROBE DAMAGE STOPPERS®



STI-1210B



STI-1221E



STI-1217



STI-1225



PRODUCT OVERVIEW

These virtually indestructible covers (slotted for horn or speaker units and solid for strobe-only alarms) are designed to stop vandalism and accidental damage. Molded of clear, thick, UV-stabilized polycarbonate material, they are backed by a three year guarantee against breakage in normal use. Slots in the STI-1210, 1215, 1217 and 1219 allow the horn to be heard. The STI-1221, 1225, 1227 and 1229 are for strobes only. Many tough, clear spacers are available for larger strobe/horn units, retrofits, surface-mount and weather resistant applications. For the STI-1210/1221 series, spacer A has a four inch deep enclosed back box, spacer B has an enclosed back box molded with an integral double-gang outlet box. Spacer C has an open back for retrofit applications. Spacer D accommodates deeper units and applications with exposed conduit electrical connections. Spacer E has an open back frame for flush-mount applications. An appliance mounting plate comes with the STI-1219/1229. Unique Enviro Kits are available for extreme conditions where dampness or water is present.

KEY FEATURES

General Information

- Helps prevent accidental and intentional damage or vandalism.
- See chart for light and sound loss information.
- Easy access for service.
- Three year guarantee against breakage of polycarbonate in normal use.

Design

- Various back box and spacer depths are available to accommodate special applications.

Construction

- Covers are UV-stabilized.
- Typical working properties of polycarbonate are -40° to 250°F (-40° to 121°C).

Options

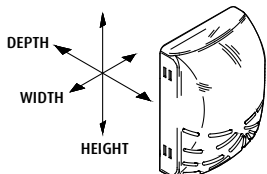
- Enviro Kit available for harsh conditions.
- See STI-1229HTR heated Type 4X enclosure for strobes in freezing conditions.

STI Horn/Strobe Damage Stoppers®

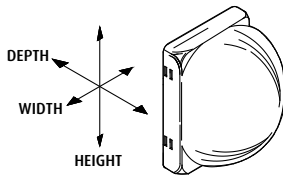
Dimensions and Technical Information

MODELS AVAILABLE

- STI-1210A** Horn/Strobe Damage Stopper cover and enclosed back box, 4" deep, weather resistant
- STI-1210B** Horn/Strobe Damage Stopper cover and enclosed back box with double-gang outlet box
- STI-1210C** Horn/Strobe Damage Stopper cover open back box with external mounting tabs
- STI-1210D** Horn/Strobe Damage Stopper cover and open back box with conduit knockout
- STI-1210E** Horn/Strobe Damage Stopper cover and open back box for flush mount
- STI-1221A** Strobe Damage Stopper cover and enclosed back box, 4" deep, weatherproof with drain vent, Type 3R
- STI-1221A4X** Strobe Damage Stopper cover and enclosed back box, 4" deep, weatherproof, Type 4X
- STI-1221B** Strobe Damage Stopper cover and solid enclosed back box and double-gang outlet box
- STI-1221C** Strobe Damage Stopper cover and open back box with external mounting tabs
- STI-1221D** Strobe Damage Stopper cover and open back box with conduit knockout
- STI-1221E** Strobe Damage Stopper cover and open back box for flush mount
- KIT-84** Tamper resistant screws
- KIT-121** Enviro Kit for D and E models
- KIT-122** Enviro Kit for B and C models
- KIT-06297D** "D" spacer only
- KIT-06297E** "E" spacer only
- STI-1283** Backplate for "D" and "E" models
- KIT-19038** Bit for tamper resistant screws
- KIT-6297B20** 3/4" conduit hub for "B" and "C" back box outdoor rated)

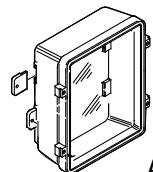


STI-1210

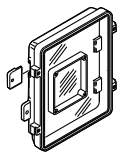


STI-1221

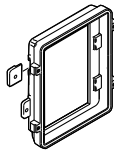
| STI-1210 Series Horn/Strobe Covers | | | | STI-1221 Series Strobe Covers | | |
|------------------------------------|--------------------|--------------------|---------------------|-------------------------------|--------------------|---------------------|
| Spacer | H | W | D | H | W | D |
| A | 8.5 in. (216mm) | 6.5 in. (165mm) | 6.25 in. (159mm) | 8.5 in. (216mm) | 6.5 in. (165mm) | 6.25 in. (159mm) |
| B | 8.5 in. (216mm) | 6.5 in. (165mm) | 3.5 in. (89mm) | 8.5 in. (216mm) | 6.5 in. (165mm) | 3.5 in. (89mm) |
| C | 8.5 in. (216mm) | 6.5 in. (165mm) | 4.75 in. (120mm) | 8.5 in. (216mm) | 6.5 in. (165mm) | 4.75 in. (120mm) |
| D | 8.5 in. (216mm) | 6.5 in. (165mm) | 5.75 in. (146mm) | 8.5 in. (216mm) | 6.5 in. (165mm) | 5.75 in. (146mm) |
| E | 8.5 in. (216mm) | 6.5 in. (165mm) | 4 in. (102mm) | 8.5 in. (216mm) | 6.5 in. (165mm) | 4 in. (102mm) |



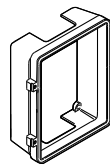
A SPACER



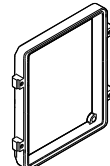
B SPACER



C SPACER



D SPACER



E SPACER

APPROVALS & WARRANTY

TESTING

It has been tested and approved or listed by:

- Underwriter Laboratories and Canadian UL File S7025
- cUL approval for UL 1638 only
- CSFM needs local approval
- MEA STI-1210 and STI-1221 series only
- UL Listed for fire voice speakers for STI-1210 series only
- ADA Compliant

WARRANTY

Three year guarantee against breakage of polycarbonate in normal use.

Performance Review Manufacturer

| STI-1210 SERIES | Light Loss % |
|---|--------------|
| ADT SECURITY (ADTG1-V Series), EST/EDWARDS(G1-V Series, G1-HV Series, G1-HOV Series, EG1-V Series, EG1-HV Series, EG1-HOV Series), HONEYWELL (XLSG1-V, XLSG1-HV, XLSG1-HOV Series), MIRCOM (MG1-V, MG1-HV, MG1-HOV Series), SIEMENS (G1-V Series), ZITON PTY LTD (ZG1-V Series) | 40% |
| EST/EDWARDS (2440S, 202 Series), HONEYWELL (XLS202 Series), MIRCOM (MS Series), MIRTONE (MG1-V Series), SIEMENS (202 Series) | 43% |
| AMSECO-(SL24W-153075 CLEAR, A, B, G or R, SL24C-3075110 A, B, G or R, CSL24W-A, B, G or R, CSL24C-A, B, G or R), MIRCOM (FS-240), POTTER ELECTRIC (AS-24-153075R, AS-24-153075W)SYSTEM SENSOR (SS24110ADA) | 47% |
| SYSTEM SENSOR (P2, PC2, P4, PC4, SX, SC) | 53% |
| STI-1221 SERIES | Light Loss % |
| AMSECO-(SL24W-153075 CLEAR, A, B, G or R, SL24C-3075110 A, B, G or R, CSL24W-A, B, G or R, CSL24C-A, B, G or R), MIRCOM (FS-240), POTTER ELECTRIC (AS-24-153075R, AS-24-153075W) | 26% |
| DETECTION SYSTEMS (GES24 Series), GENTEX (GES24 Series), HARRINGTON SIGNAL (GES24 Series), NATIONAL TIME & SIGNAL (GES24 Series), SECUTRON (GES24 Series) | 31% |
| ADT SECURITY (ADTG1-V Series), EST/EDWARDS (G1-V Series, G1-HV Series, G1-HOV Series, EG1-V Series, EG1-HV Series, EG1-HOV Series), HONEYWELL (XLSG1-V Series, XLSG1-HV Series, XLSG1-HOV Series), MIRCOM (MG1-V, MG1-HV, MG1-HOV Series), SIEMENS (G1-V Series), ZITON PTY LTD. (ZG1-V Series) | 34% |
| AMESCO (SL24W-153075), SYSTEM SENSOR (SS24110ADA) | 37% |
| EST/EDWARDS (2440S, 202 Series), HONEYWELL (XLS202 Series), MIRCOM (MS Series), MIRTONE (MG1-V Series), SIEMENS (202 Series) | 45% |
| FARADAY LLC (2700) | 57% |
| SYSTEM SENSOR (P2, PC2, P4, PC4, SX, SC) | 61% |

Use of horn/strobe cover on audible device decreases the sound output by 6dB(A).

SPACER

DESCRIPTION

- A** Enclosed back box, 4" deep (includes neoprene gasket)
- A4X** Enclosed back box, 4" deep Type 4X (includes silicone gasket)
- B** Enclosed back box with double-gang outlet box
- C** Open back box with external mounting tabs
- D** Open back box with conduit knockout
- E** Open back box for flush mount

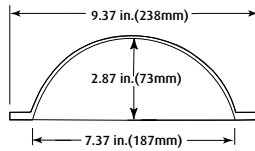
STI Horn/Strobe Damage Stoppers®

Dimensions and Technical Information

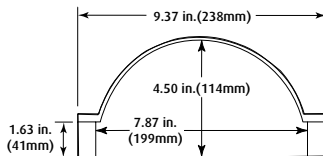
MODELS AVAILABLE

- STI-1215** Stopper Dome for Horn/ Speaker/Strobe for flush mount
- STI-1217** Stopper Dome for Horn/ Speaker/Strobe with open back box
- STI-1219** Stopper Dome for Horn/ Speaker/Strobe with enclosed back box
- STI-1225** Stopper Dome for Strobe only flush mount
- STI-1227** Stopper Dome for Strobe only with open back box
- STI-1229*** Stopper Dome for strobe only with enclosed back box, Type 4X
- STI-1212** Spacer kit
- STI-1222** Enclosed back box for Stopper Dome
- STI-1284** Single Gang Mounting Adapter for STI-1219 and STI-1229
- KIT-84** Tamper resistant screws
- KIT-123** Enviro Kit includes three gaskets
- KIT-19038** Bit for tamper resistant screws

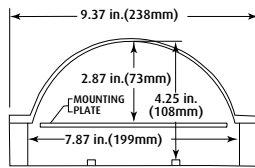
*Hazardous models available. See STI-1229.



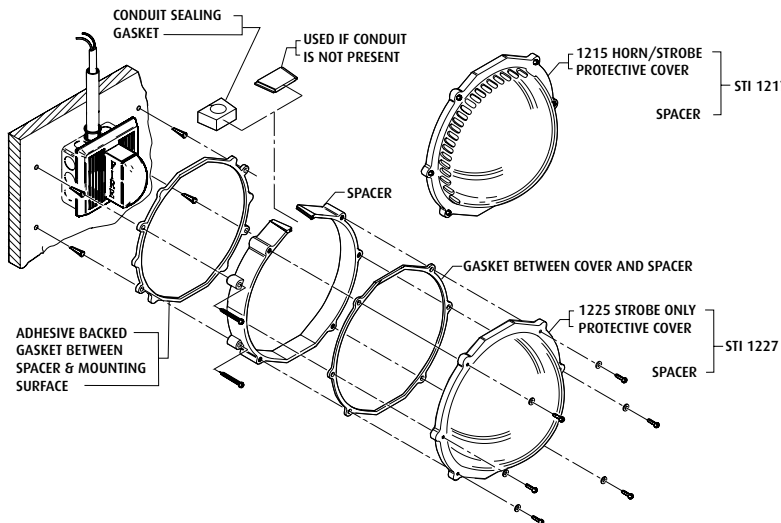
STI-1215 / STI-1225



STI-1217 / STI-1227



STI-1219 / STI-1229



APPROVALS & WARRANTY

TESTING

- It has been tested and approved or listed by:
 - Underwriter Laboratories and Canadian UL File S7025
 - cUL approval for UL 1638 only
 - CSFM needs local approval
 - For hazardous applications in Canada, to meet cUL, your strobe must be ULC Listed
 - ADA Compliant

WARRANTY

Three year guarantee against breakage of polycarbonate in normal use.

Performance Review Manufacturer

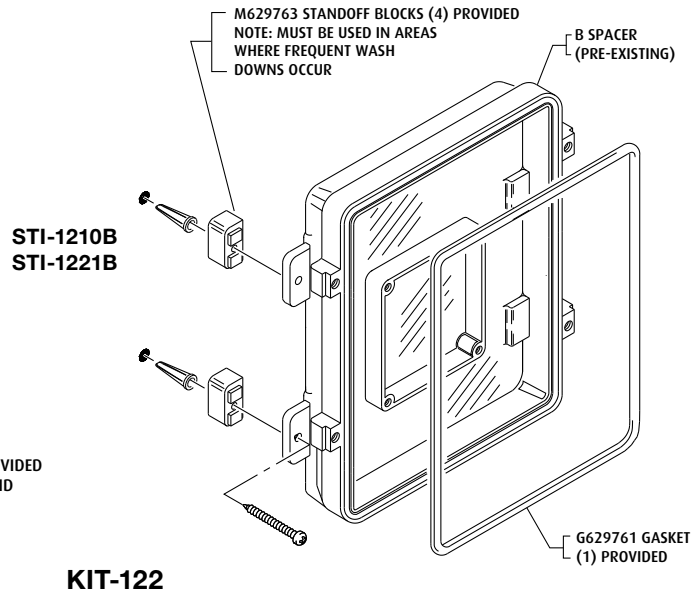
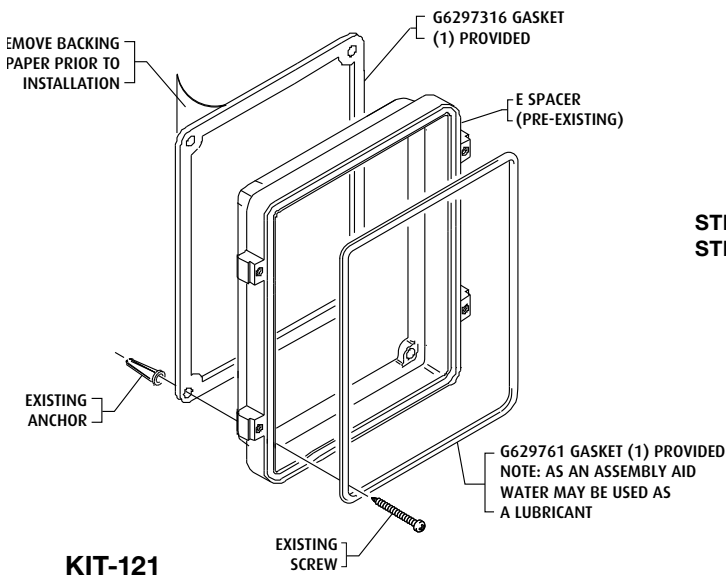
| STI-1215/17/19 SERIES | Light Loss % |
|--|--------------|
| ADT SECURITY (ADTG1-V Series), EST/EDWARDS (G1-V Series, G1-HV Series, G1-HOV Series, EG1-V Series, EG1-HV Series, EG1-HOV Series), HONEYWELL (XLSG1-V Series, XLSG1-HV Series, XLSG1-HOV Series), MIRCOM (MG1-V Series, MG1-HV Series, MG1-HOV Series), MIRTONE (MG1-V Series), SIEMENS (G1-V Series), ZITON PTY LTD (ZG1-V SERIES) | 20% |
| AMSECO (SL24W-153075), AMSECO-COLORED LENSES (SL24W-153075 A, B, G or R, SL24C-3075110 A, B, G or R, CSL24W-A, B, G or R, CSL24C-A, B, G or R), MIRCOM (FS-240), POTTER ELECTRIC (AS-24-153075R, AS-24-153075W) | 22% |
| FARADAY (2700), SIEMENS (U-MCS Series) | 23% |
| DETECTION SYSTEMS (GES24 Series, GES24-15/75), GENTEX (GES24 Series, GES224-15/75), HARRINGTON SIGNAL (GES24 Series, GES24-15/75), NATIONAL TIME & SIGNAL (GES24 Series, GES24-15/75), SECUTRON (GES24 Series, GES24-15/75) | 27% |
| SYSTEM SENSOR (SS24110ADA) | 26% |
| EST/EDWARDS (2440S Series, 202 Series), HONEYWELL (XLS202 Series), MIRCOM (MS Series), SIEMENS (202 Series) | 33% |
| WHEELock (RSS-24MCW) | 34% |
| WHEELock (RSS-24MCC) | 36% |
| SYSTEM SENSOR (P2, PC2, P4, PC4, SX, SC) | 39% |
| STI-1225/27/29 SERIES | |
| SYSTEM SENSOR (P2, PC2, P4, PC4, SX, SC) | 28% |
| WHEELock (RSS-24MCW) | 31% |
| ADT SECURITY (ADTG1-V Series), EST/EDWARDS (G1-V Series, G1-HV Series, G1-HOV Series, EG1-V Series, EG1-HV Series, EG1-HOV Series), HONEYWELL (XLSG1-V Series, XLSG1-HV Series, XLSG1-HOV Series), MIRCOM (MG1-V Series, MG1-HV Series, MG1-HOV Series), MIRTONE (MG1-V Series), SIEMENS (G1-V Series), ZITON PTY LTD. (ZG1-V SERIES) | 32% |
| FARADAY (2700), SIEMENS (U-MCS Series) | 33% |
| EST/EDWARDS (2440S Series, 202 Series), HONEYWELL (XLS202 Series), MIRCOM (MS Series), SIEMENS (202 Series) | 34% |
| WHEELock (RSS-24MCC) | 35% |
| SYSTEM SENSOR (SS24110ADA) | 36% |
| AMSECO (SL24W-153075), AMSECO-COLORED LENSES (SL24W-153075 A, B, G or R, SL24C-3075110 A, B, G or R, CSL24W-A, B, G or R, CSL24C-A, B, G or R) SCM24W), DETECTION SYSTEMS (GES24 Series, GES24-15/75), GENTEX (GES24 Series, GES224-15/75), HARRINGTON SIGNAL (GES24 Series, GES24-15/75), HONEYWELL (XLSG1-HOV Series), MIRCOM (FS-240), NATIONAL TIME & SIGNAL (GES24 Series, GES24-15/75), POTTER ELECTRIC (AS-24-153075R, AS-24-153075W), SECUTRON (GES24 Series, GES24-15/75) | 37% |

Sound loss for STI-1215, 1217 and 1219

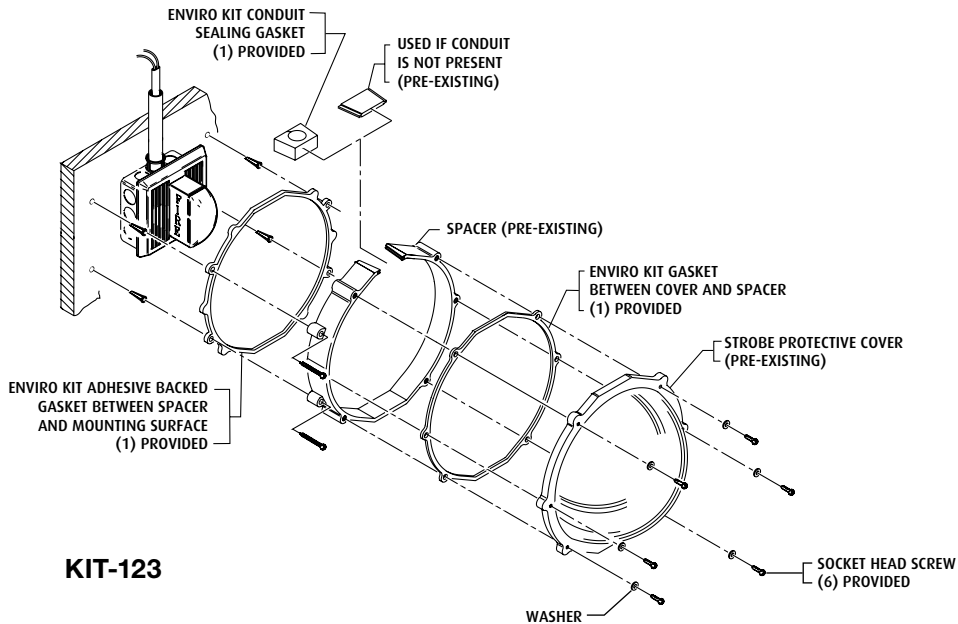
Horns: Amseco Audible Horn Sounders - 6.2 dBA
 Speakers: Siemens Adapter Series (0.5, 1, or 2 watt taps only) - 4.1 dBA

STI Horn/Strobe Damage Stoppers®

Dimensions and Technical Information



**STI-1210E
STI-1221E**



Safety Technology International

2306 Airport Road
Waterford, Michigan
48327, USA

Tel: 248-673-9898
Fax: 248-673-1246
info@sti-usa.com
www.sti-usa.com

Taylor House
34 Sherwood Road
Bromsgrove, Worcestershire
B60 3DR, England

Tel: +44 (0)1527 520 999
Fax: +44 (0)1527 501 999
info@sti-emea.com
www.sti-emea.com