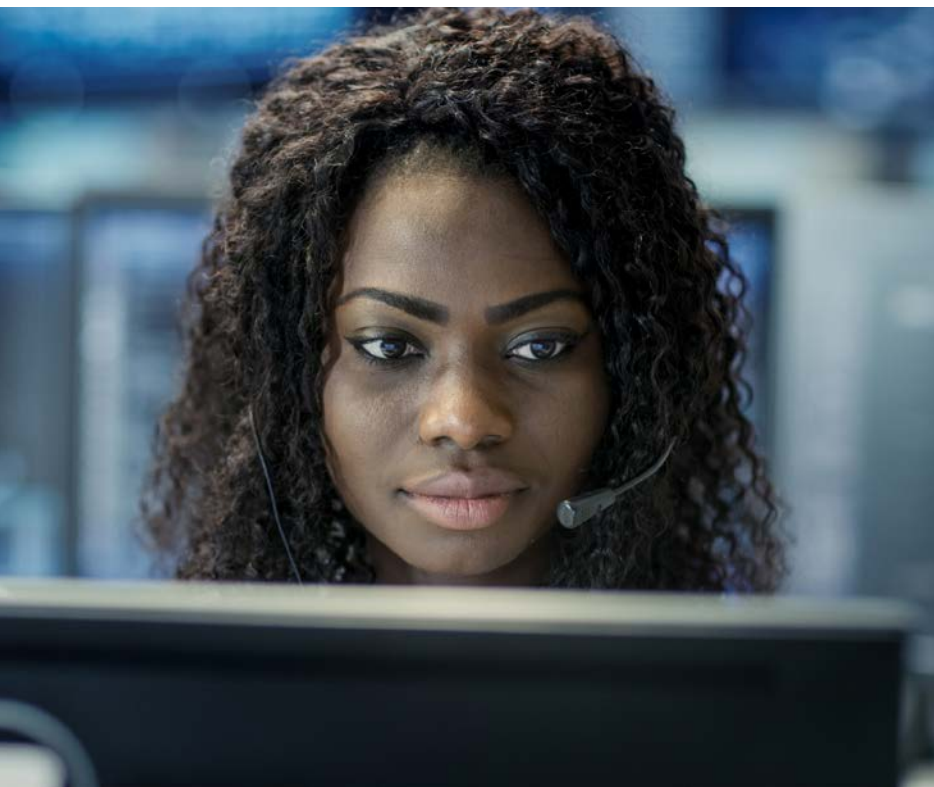


General Purpose Monitors



Key Features





- Available in 20", 22", 24", and 32" display sizes
- Supports Full HD 1920x1080 viewing
- Auto adjustment for image positioning
- Long-life LED backlights help maintain consistent brightness levels
- Auto power recovery from outages
- Built-in stereo audio speakers for 22" model and above
- Standard 100 x 100mm VESA™ mounting pattern

Purpose-Built Video Management Monitors

American Dynamics General Purpose Monitors feature a wide range of horizontal and vertical viewing angles that provide comfortable and clear viewing. Each monitor features user-friendly, on-screen menus and front panel controls for adjusting monitor display parameters to your specific preference. Available in four distinct sizes, these LED monitors are slim, lightweight, and require less power and space. They can also be installed on a wall with optional wall mounts with ease providing increased desktop workspace.

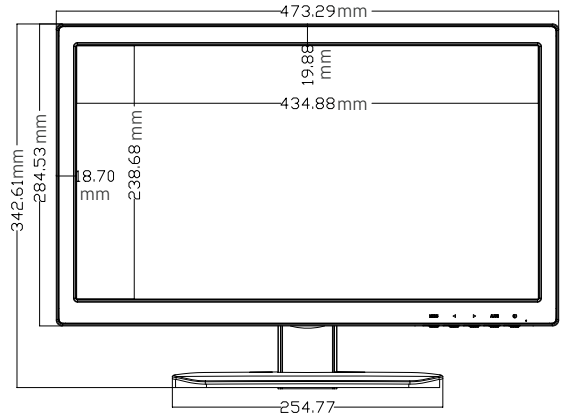
With our high-performance monitor, experience crystal-clear detail and vivid colors with a wide viewing angle. All of the general purpose monitors come with VGA, as well as digital DVI-D or HDMI connections, and produce sharp, true color images. Sporting a thin bezel for side by side viewing, enhance your viewing capabilities with tilt-stand and wall mounting options.

Technical Specifications

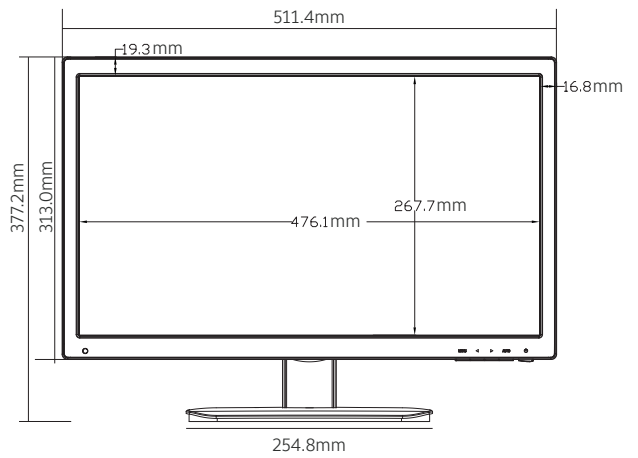
	ADLCD20GBHD	ADLCD22GBHD	ADLCD24GBHD	ADLCD32GBHD
				
Display				
Cabinet Material	Plastic			
Color	Black			
Weight	2.8kg	3.9kg	3.5kg	8.2kg
Pixel Pitch	0.2265x0.221mm	0.24825x0.24825mm	0.2745x0.2745mm	0.12125x0.36375mm
Backlight	LED			
Aspect Ratio	16:9			
Viewing Angle	178(H) / 178(V)	170(H) / 160(V)	178(H) / 178(V)	
Contrast Ratio	3000 : 1	1000 : 1		
Response Time	20ms	5ms	14ms	8ms
Brightness	250cd/m ²			300cd/m ²
Recommended Resolution	1920×1080			
Audio				
Speaker Power	-	2W x 2		
Speakers	-	Built-in		
Interface				
VGA In	1			
HDMI	1			
Stereo Audio In	-	1 (3.5mm)		
Controls				
	Power, Up/Down, Left/Right, Source, OSD Menu			
Temperature				
Operating Temperature	32°F - 104°F (0°C - 40°C)			
Storage Temperature	-4°F - 140°F (-20°C 60°C)			
Operating Humidity	20% - 90%			
Storage Humidity	10% - 90%			
Power				
Input rating	100-240Vac 1.0-0.7A, 50/60Hz			
Typical power	30W	30W	30W	60W
Off mode Efficiency	Energy Star			
Accessories				
VESA Wall Mount Holes	100mm x 100mm			
Additional Accessories	Power Cord, HDMI Cable, Desk stand			
Regulatory Standards				
Safety	UL/IEC/EN60950-1 UL listed			
EMC	FCC CFR 47.15b;			
	EN55032 Class A;			
	EN61000-3-3;			
	EN61000-3-2;			
Environmental	EN50130-4			
	RoHS, Reach, WEEE, Waste Packaging			

Supported languages: English, French, German, Italian, Simplified Chinese, Traditional Chinese, Korean, Japanese, Spanish, Portuguese, and Russian

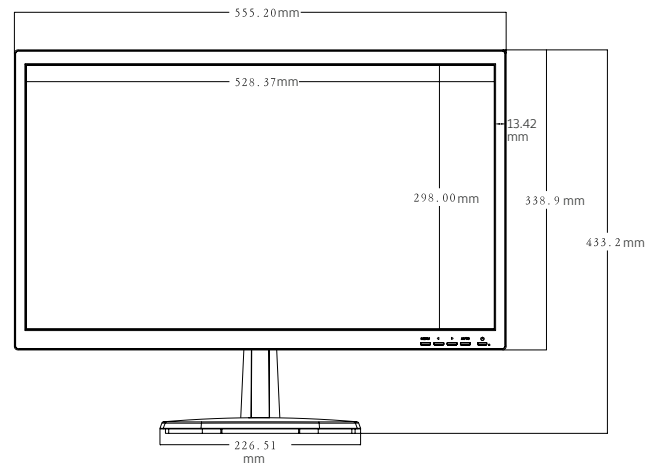
20" General Purpose Monitor | ADLCD20GBHD



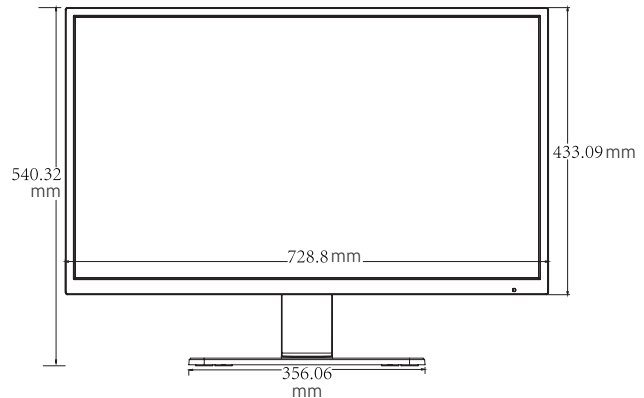
22" General Purpose Monitor | ADLCD22GBHD



24" General Purpose Monitor | ADLCD24GBHD



32" General Purpose Monitor | ADLCD32GBHD



Ordering Information

Model Numbers	Description
ADLCD20GBHD	20" LED Monitor, Full HD 1920x1080, HDMI, VGA
ADLCD22GBHD	22" LED Monitor, Full HD 1920x1080, HDMI, VGA, Audio
ADLCD24GBHD	24" LED Monitor, Full HD 1920x1080, HDMI, VGA, Audio
ADLCD32GBHD	32" LED Monitor, Full HD 1920x1080, HDMI, VGA, Audio
Monitor Mounts	
ADWTR75100B	Wall Mount for Displays up to 24", Black
ADWA1TR75100B	Articulating Wall Mount for Displays up to 24", Black
ADMMWT100B	75/100MM VESA 3" Wall Mount Black
ADMMWTAS100B	75/100MM VESA Single Arm Wall Mount Black
ADMMWTR100B	75/100MM VESA 3 Axis Wall Mount Black
ADCT75100B	Ceiling Mount for 15"-26" Displays, Black
ADCTR3255B	Ceiling Mount for 32"-55" Displays, Black

Johnson Controls

Johnson Controls is a global diversified technology and multi-industrial leader serving a wide range of customers in more than 150 countries. Our 120,000 employees create intelligent buildings, efficient energy solutions, integrated infrastructure and next generation transportation systems that work seamlessly together to deliver on the promise of smart cities and communities. Our commitment to sustainability dates back to our roots in 1885, with the invention of the first electric room thermostat.

For additional information, please visit www.americandynamics.net or follow us on Facebook, Twitter, and LinkedIn.