

Discover 300, 500 and 700 Series Mini-Dome Camera Mounts



Features That Make a Difference:

- Durable and lightweight
- Eight attractive styles
- Black or white color options

The Discover 300, 500 and 700 Series of Mini-Domes can be mounted with eight different mounting options that work well with the vandal-resistant cameras. Choose from surface, flush, pendant, wall, wall-pole, wall-exterior corner, inside corner or electrical box-mounts. The surface, flush and wall mounts can be used with the mini-domes without any additional hardware. With eight mounting options, there is a mount to fit any installation environment, and all the mounts are quick and easy to install.

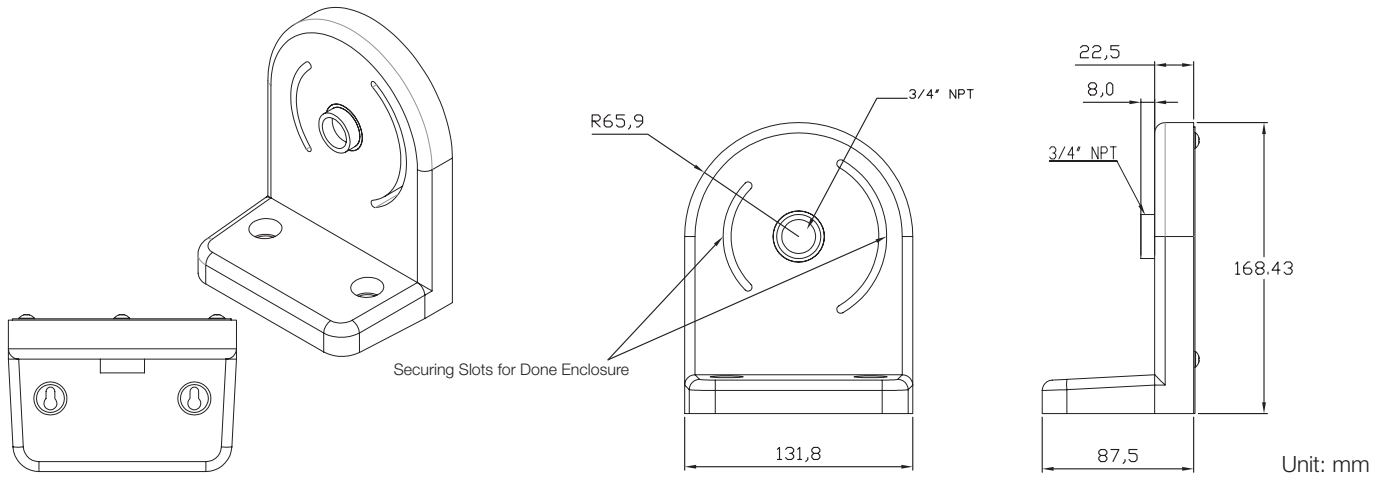
The surface mount requires just four screws which makes installation effortless. Flush mounts have two automatic swing-out tabs that clamp on to the installation surface. An optional pendant cap provides a three-quarter inch thread for pendant

mount installations while maintaining a seal to protect against environmental conditions. The same pendant cap is available in an attractive wall mount configuration. When used in a wall mount installation, a pole mount adapter is available for use with the wall mount arm. A corner bracket adapter is available for wall-pole and inside corner mounting applications such as when a mini-dome is installed inside of an elevator. All of these mounting options are available in black and white finishes allowing for a more coordinated and appealing design that complements a variety of environments.

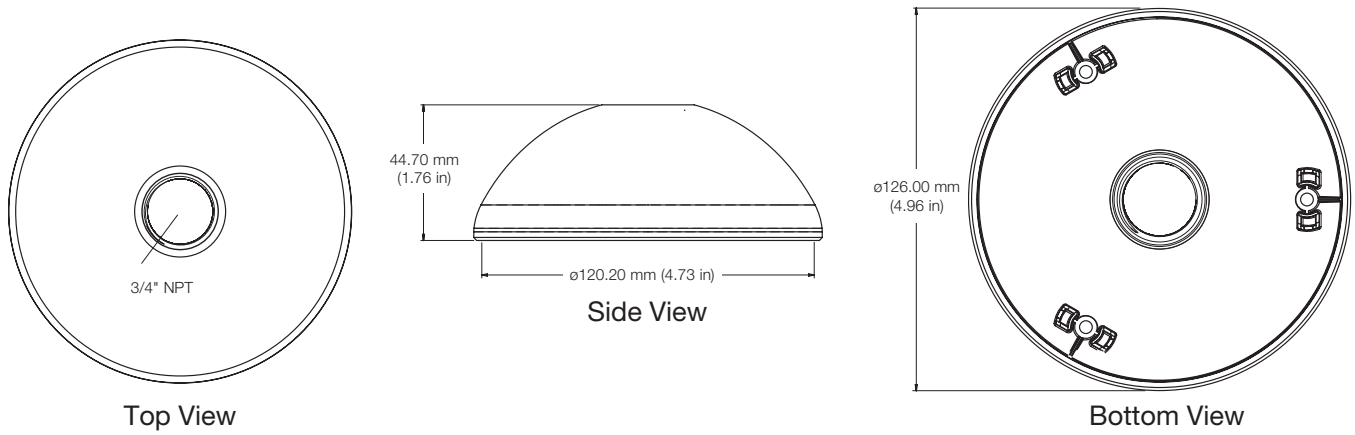
Take a closer look

Indoor Mounts

Wall Mount (ADCPWMWALL)



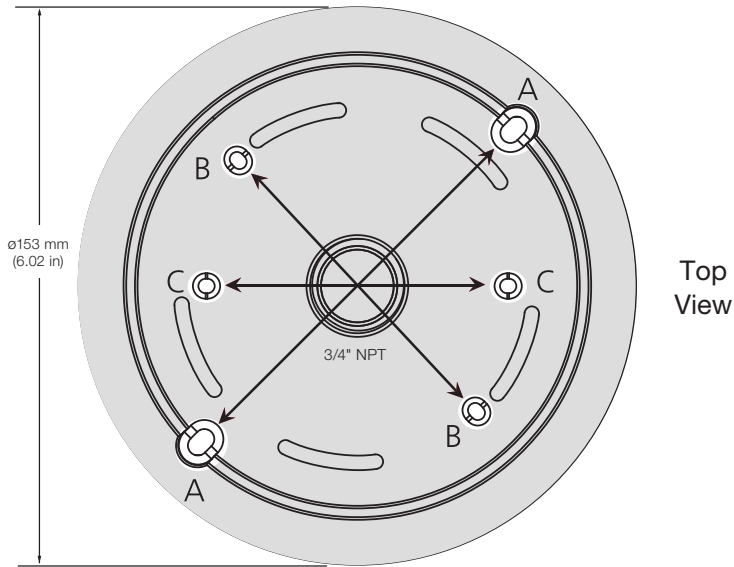
Pendant Cap with Three-Quarter Thread (ADCPWMPEND)



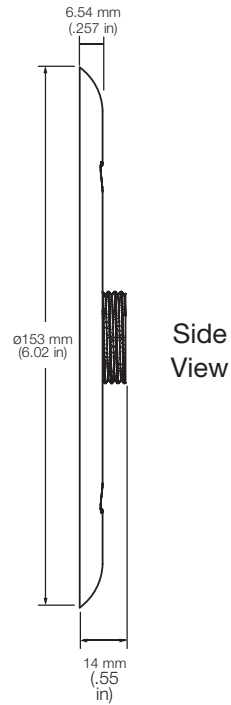
Take a closer look

4S Electrical Box Adapter (ADCPWMELEC)

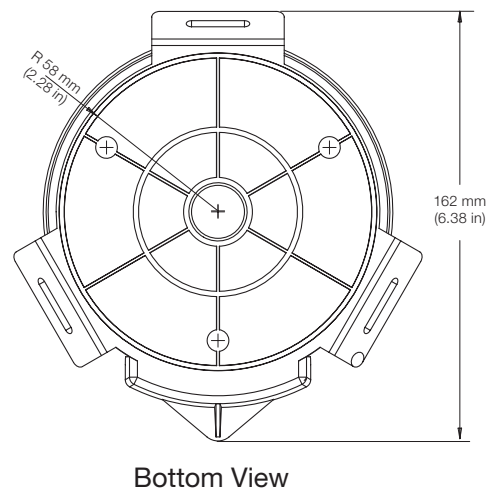
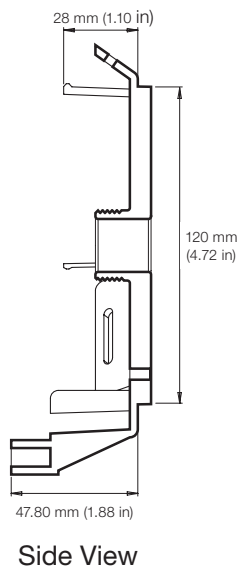
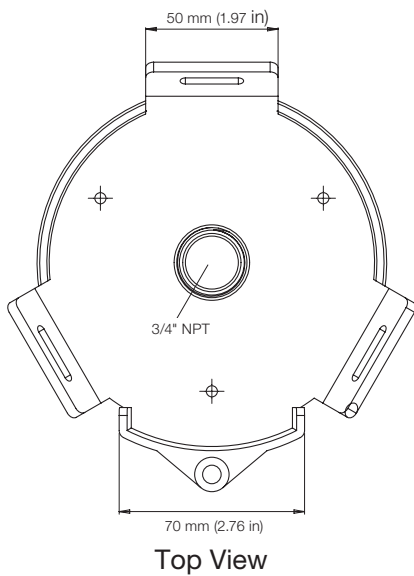
A--A: 4S Electrical Box B--B: Double Gang Box C--C: Single Gang Box



A. $\varnothing=0.59$ cm (0.23 in), A-A=12.20 cm (4.80 in)
 B. $\varnothing=0.36$ cm (0.14 in), B-B=9.60 cm (3.78 in)
 C. $\varnothing=0.53$ cm (0.21 in), C-C=8.42 cm (3.32 in)



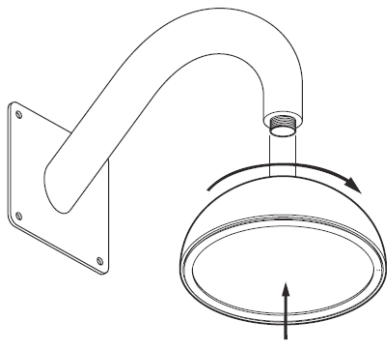
Corner Mount (ADCPWMCRR)



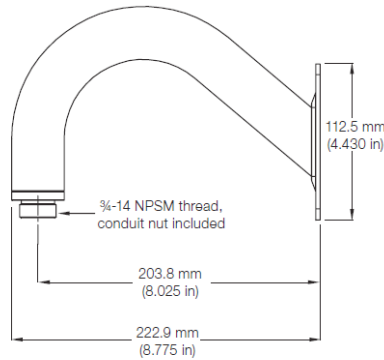
Take a closer look

Outdoor Mounts

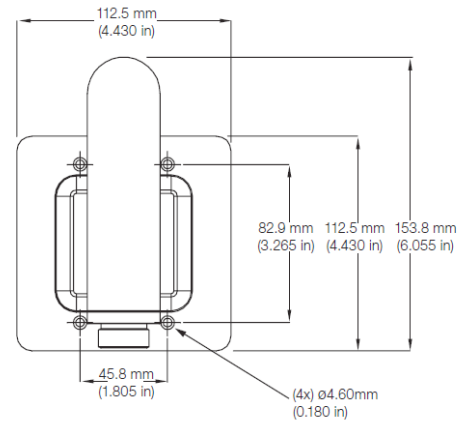
Wall Mount with Pendant Cap (ADCDMWALL or ADCBMWALL)



Angled View

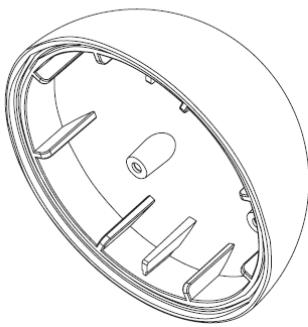


Side View

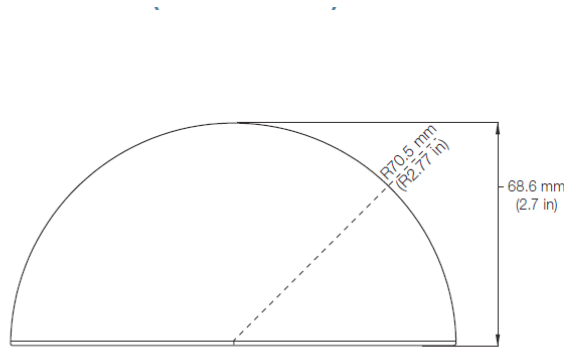


Front View

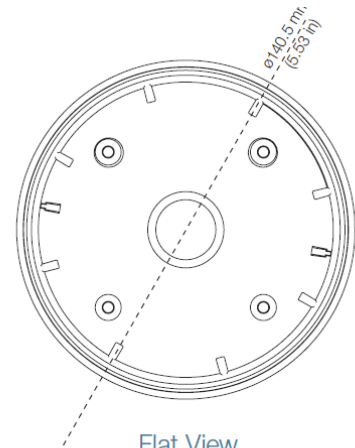
Pendant Cap with Three-quarter Inch Thread (ADCDMPEND or ADCBPEND)



Angled View



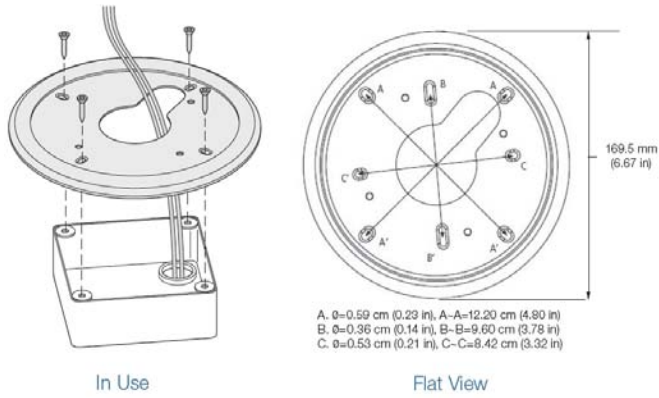
Side View



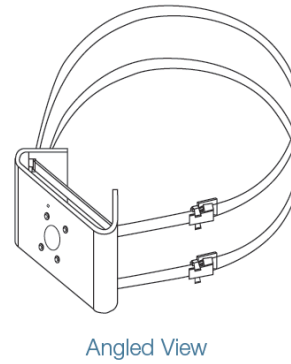
Flat View

Take a closer look

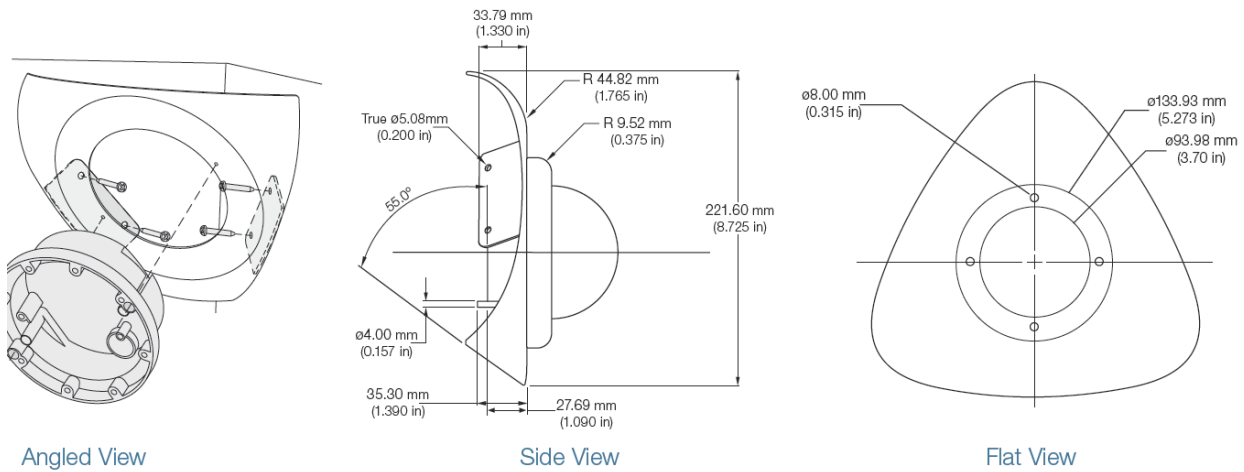
4S Electrical Box Adapter (ADCDMELEC and ADCBMELEC)



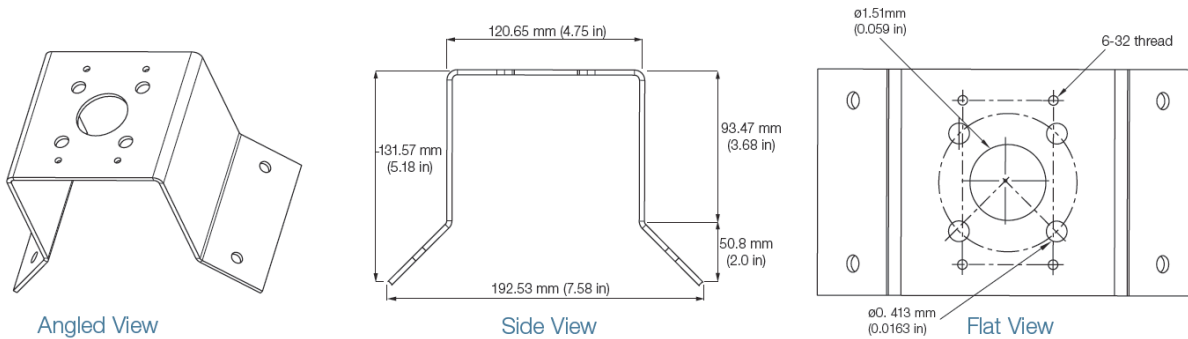
Pole Mount Adapter (ADCDMPOLE or ADCBMPOLE)



Corner Mount (ADCDMCRNR or ADCBMCRNR)



Outside Corner Adapter (ADCDMCRNRO or ADCBMCRNRO)



Ordering Information

Indoor Mounts		
White	Black	Description
ADCPWMWALL	N/A	Wall mount
ADCPWMPEND	N/A	Pendant cap, three-quarter inch thread
ADCPWMELEC	N/A	4S electrical box adapter
ADCPWMCNR	N/A	Corner mount
Outdoor Mounts		
White	Black	Description
ADCDMWALL	ADCBMWALL	Wall mount
ADCDMPOLE	ADCBMPOLE	Pole mount for use with ADCDMWALL or ADCBMWALL
ADCDMPEND	ADCBMPEND	Pendant cap, three-quarter inch thread
ADCDMELEC	ADCBMELEC	4S electrical box adapter
ADCDMCRNR	ADCBMCRNR	Corner mount
ADCDMCRNRO	ADCBMCRNRO	Outside corner adapter for use with ADCDMCRNR or ADCBMCRNR
Accessories		
ADCDHTR	Heater, 24V AC only, 7W	
ADCDSL	Video service lead cable	

Related Products



Discover Mini-Domes

Approvals



www.americandynamics.net

The trademarks, logos, and service marks displayed on this document are registered in the United States [or other countries]. Any misuse of the trademarks is strictly prohibited and Tyco International Ltd. will aggressively enforce its intellectual property rights to the fullest extent of the law, including pursuit of criminal prosecution wherever necessary. All trademarks not owned by Tyco International Ltd. are the property of their respective owners, and are used with permission or allowed under applicable laws.

Product offerings and specifications are subject to change without notice. Actual products may vary from photos. Not all products include all features. Availability varies by region; contact your sales representative.
©2012 Tyco Security Products. All rights reserved. AD0286-DS-201211-R01-LT-EN