

ACCESSORIES
Model RU-FP1R
RACK-UP Filler Panel

The RU-FP1R fills unused openings in any RACK-UP series mounting adapter.




Front

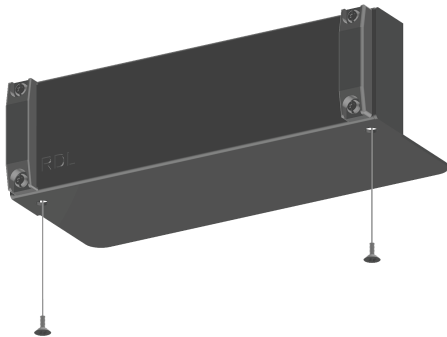


Rear

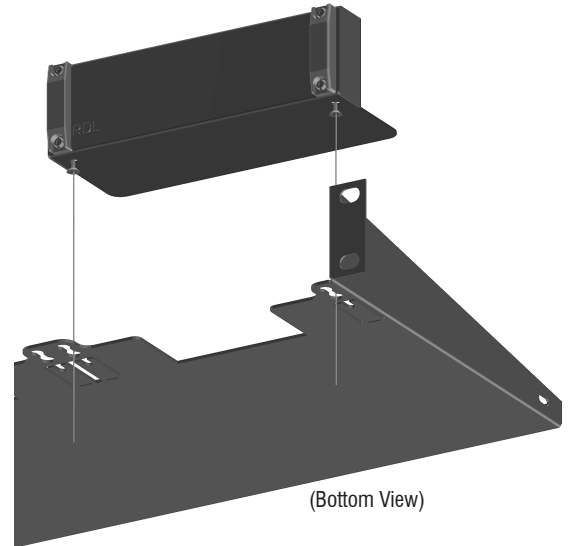
ACCESSORIES
Model RU-FP1R
RACK-UP Filler Panel

Installation/Operation

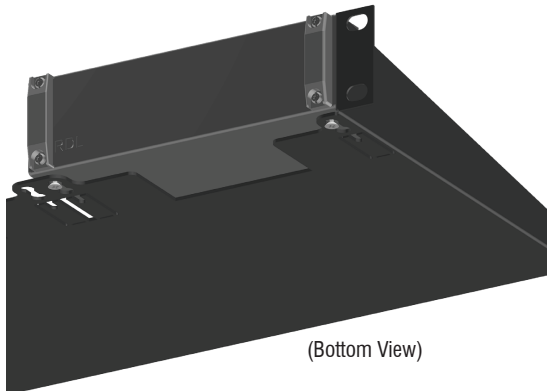
 Declaration of Conformity available from rdlnet.com.
Sole EMC specifications provided on product package.
Specifications are subject to change without notice.



STEP #1
Start the screws into the bottom of the RU-FP1R but do not install them all the way.



STEP #2
Place the RU-FP1R onto the chassis. The screw heads will pass through the rear position in the cutout.



STEP #3
Slide the unit forward until the screws are seated in the forward position of the cutout. Tighten the screws to secure the RU-FP1R in the chassis.