

7110, 7111 Electric Strikes



ALUMINUM

HOLLOW
METAL

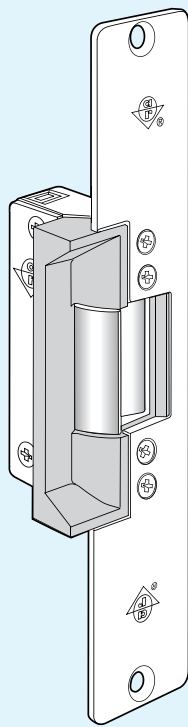
WOOD

UL 1034
BURGLARY
LISTEDELECTRIFIED
PRODUCTGRADE 1
ED9321

7110 Electric Strike with 7-15/16" faceplate and 7111 Electric Strike with 10-1/4" faceplate are designed for Adams Rite deadlatches or cylindrical locksets with 1/2" to 5/8" latchbolt projection. For use in hollow metal, wood and aluminum door jambs.

Function

Replaces earlier 002, 7510, or 7810 electric releases in either metal or wood jambs for remote electrical control of any door equipped with an Adams Rite 4500, 4700, or 4900 Series (or similar) Deadlatch or cylindrical (key-in-knob/lever) type lockset with 1/2" to 5/8" latchbolt projection. Electrical actuation unlocks strike jaw, releasing latchbolt so door can be opened without operating latch itself. Extremely compact mechanism fits into jamb sections as shallow as 1-5/8".



PATENTED

Specifications

FAIL-SAFE/FAIL-SECURE

- Field convertible from one mode to the other. However, AC intermittent solenoid must not be used continuously in either.

CASE

- Approximately 1" x 3-3/8" x 1-5/8" deep.

STRIKE LIP

- Basic 7110 strike has lip of proper length for 1-3/4" thick door that closes flush with jamb edge. Where door thickness or jamb shape differs from this standard relationship, lip extension kits are available, specified by last dash number.

STRIKE OPENING

- 5/8" x 1-7/16" x 1/2" deep. Bolt retainer jaw is stainless steel. Strike accepts bolt of any Adams Rite 4500, 4700 (discontinued), or 4900 Deadlatch or cylindrical latches.

FACEPLATE

- 7110 faceplate measures 1-7/16" x 7-15/16". 7111 faceplate measures 1-7/16" x 10-1/4". Available in a wide range of architectural finishes.

VOLTAGE

- Available in 12 or 24 volt AC and DC. DC continuous units are silent, AC intermittent units "buzz" on operation.

CURRENT DRAW/AMPS

VOLTS	AC INTERMITTENT	DC CONTINUOUS
12	1.42	0.33
24	0.74	0.17

STANDARD PACKAGE

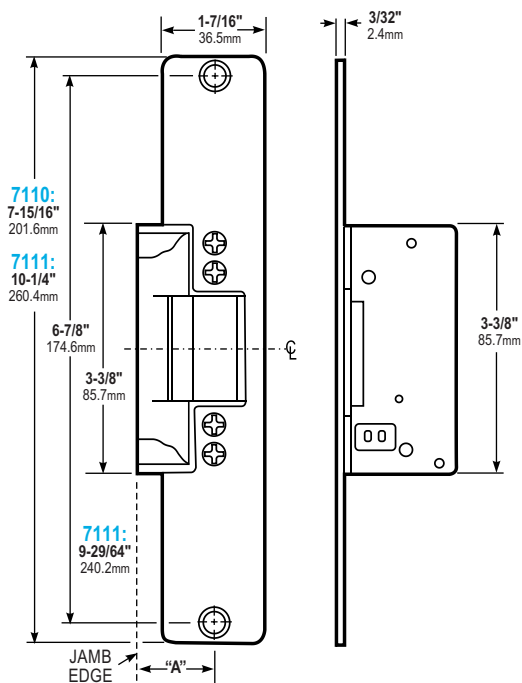
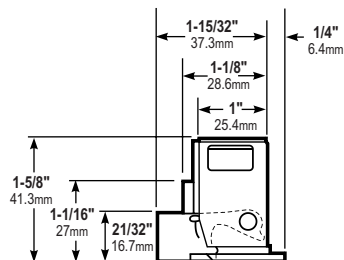
- Individually boxed with mounting screws, mounting clips, and adhesive shims to accommodate jamb or stile extrusion thickness greater or less than nominal 1/8".

OPTIONS

- Available with two monitoring signal switches which sense whether latchbolt is in strike and whether strike jaw is blocked. Choice of voltage in AC and DC for intermittent or continuous duty. Specify assembled for either fail-secure (locked when unpowered) or fail-safe (locked when powered) operation, but can be field converted to the other mode. Model 7110 and 7111 are identical except for their faceplate length.

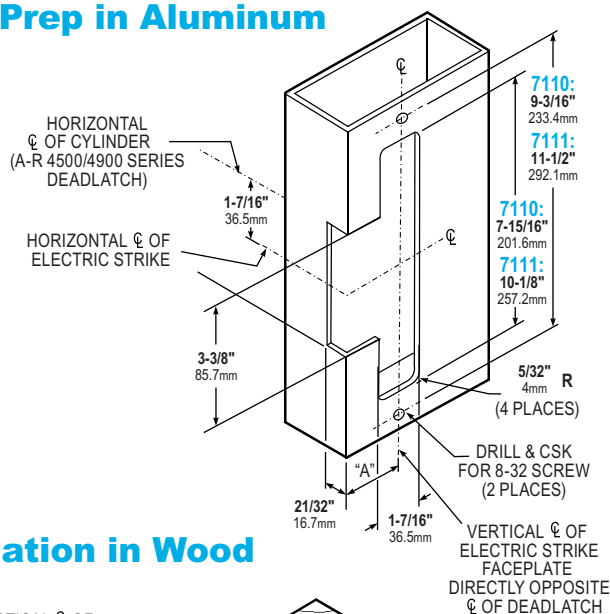
All measurements are approximate and are provided for informational purposes only. Refer to the product Installation Instructions.

Dimensions

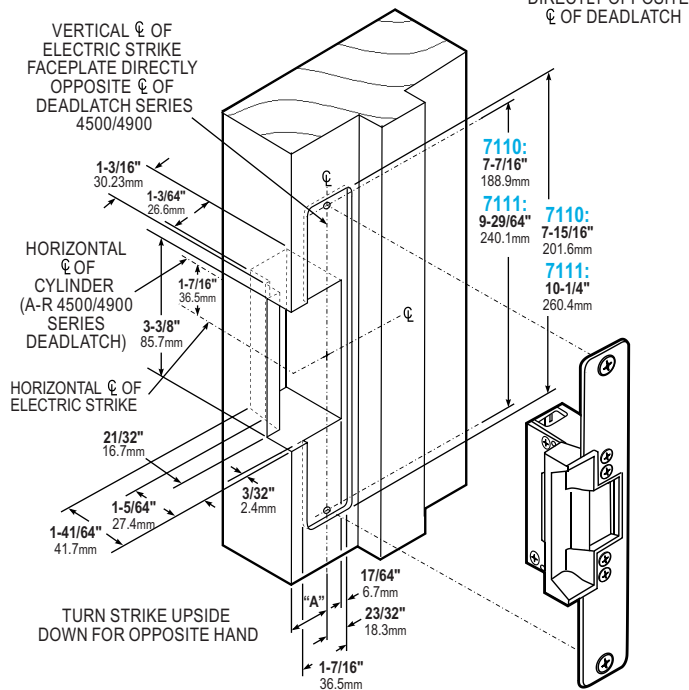


STANDARD UNIT FITS DIM. "A" UP TO 1-1/16"
(SEE HOW TO ORDER)
MOUNTING BRACKETS FURNISHED

Jamb Prep in Aluminum



Installation in Wood



HOW TO ORDER 7110, 7111 ELECTRIC STRIKE

Specify quantity and the following information. Order related products separately.

PRODUCT NO.	FACEPLATE LENGTH	VOLTAGE	CURRENT AND DUTY	FEATURES*	FINISH	LIP EXTENSIONS (DIM. A) (Door Centerline to Jamb Edge)	
711	0	-3	1	0	-652	-00	
	0 7-15/16"	3 12 Volt	1 DC Continuous or Intermittent	0 Standard/Fail-Secure	652 Satin Chrome	00 1-1/16" or less	05 2"
	1 10-1/4"	4 16 Volt	4 AC Intermittent	5 Fail-Safe		01 1-1/2"	07 2-1/4"
		5 24 Volt		7 Monitored/ Fail-Safe		02 1-5/8"	09 2-1/2"
				9 Monitored/ Fail-Secure		03 1-3/4"	12 2-7/8"

*Fail-secure can be field converted to fail-safe or vice-versa

RELATED PRODUCTS

When purchasing this product, please consider the following related products, available separately:

Options

Lip extensions.

Power

4603 Rectifier, 4605/4606 Transformer, Piezo Horn audible indicator, PS-1.

Deadlatches

4500 and 4900 Series Deadlatches. Note that 4700 Deadlatch is discontinued and replaced by 4900 Deadlatch.