

7100, 7101 Electric Strikes



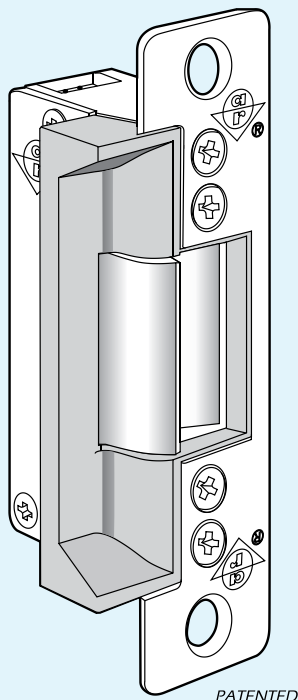
ALUMINUM

UL 1034
BURGLARY
LISTEDELECTRIFIED
PRODUCTGRADE 1
E09321

7100, 7101 Electric Strikes with 4-7/8" faceplates are designed for Adams Rite deadlatches or cylindrical locksets with 1/2" to 5/8" latchbolt projection. For use in aluminum jambs and stiles.

Function

Remote electrical control of any door equipped with an Adams Rite 4500, 4700, or 4900 Series (or similar) Deadlatch or cylindrical (key-in-knob/lever) type lockset with 1/2" to 5/8" latchbolt projection. Electrical actuation unlocks strike jaw, releasing latchbolt so door can be opened without operating latch itself. Extremely compact mechanism fits into aluminum jamb (or opposing door) sections as shallow as 1-5/8". Fits existing prep for discontinued Adams Rite 7000, 7500, 7800 Electric Strikes.



Specifications

FAIL-SAFE/FAIL-SECURE

- Field convertible from one mode to the other. However, AC intermittent solenoid must not be used continuously in either.

CASE

- Approximately 1" x 3-3/8" x 1-5/8" deep.

STRIKE LIP

- Basic 7100 strike has lip of proper length for 1-3/4" thick door that closes flush with jamb edge. Where door thickness or jamb shape differs from this standard relationship, lip extension kits are available, specified by last dash number. Not available on 7101.

STRIKE OPENING

- 5/8" x 1-7/16" x 1/2" deep. Bolt retainer jaw is stainless steel. Strike accepts bolt of any Adams Rite 4500, 4700 (discontinued), or 4900 Deadlatch or cylindrical latches.

FACEPLATE

- Measures 1-1/4" x 4-7/8". 7100 has flat faceplate; 7101 is radiused to match nose on inactive leaf in a pair of narrow stile glass doors. Available in a wide range of architectural finishes.

VOLTAGE

- Available in 12 or 24 volt AC and DC. DC continuous units are silent, AC intermittent units "buzz" on operation.

CURRENT DRAW/AMPS

VOLTS	AC INTERMITTENT	DC CONTINUOUS
12	1.42	0.33
24	0.74	0.17

STANDARD PACKAGE

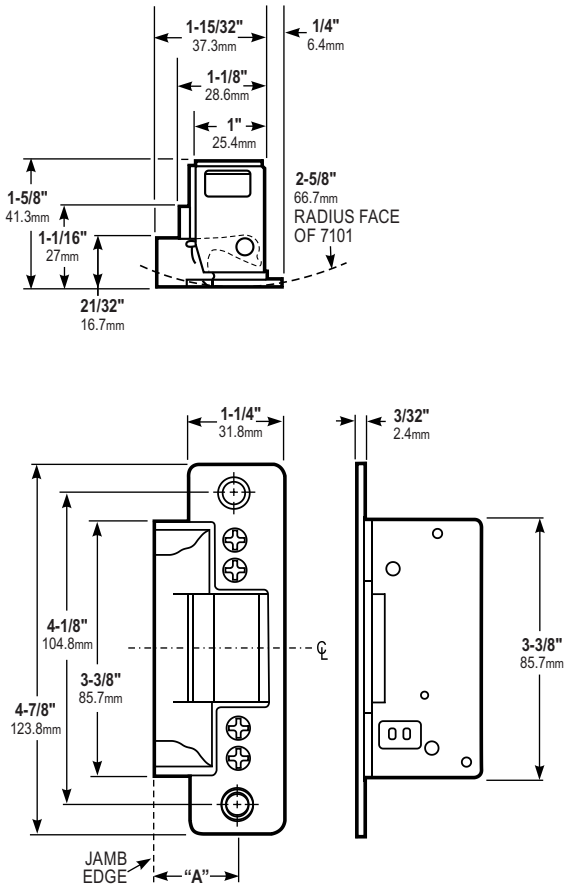
- Individually boxed with mounting screws, mounting clips, adhesive shims to accommodate jamb or stile extrusion thickness greater or less than nominal 1/8".

OPTIONS

- Available with two monitoring signal switches which sense whether latchbolt is in strike and whether strike jaw is blocked. Choice of mounting in AC and DC for intermittent or continuous duty. 7100 Electric Strike (flat faceplate) available with extended strike lip. Specify assembled for either fail-secure (locked when unpowered) or fail-safe (locked when powered) operation, but can be field converted to the other mode.

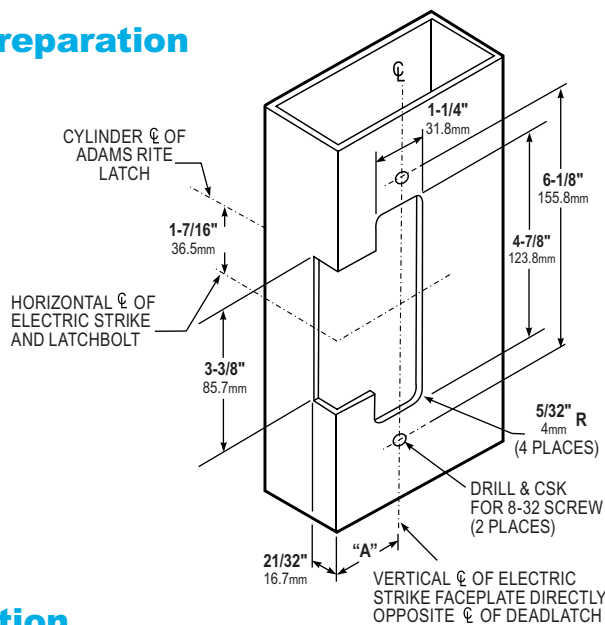
All measurements are approximate and are provided for informational purposes only. Refer to the product Installation Instructions.

Dimensions

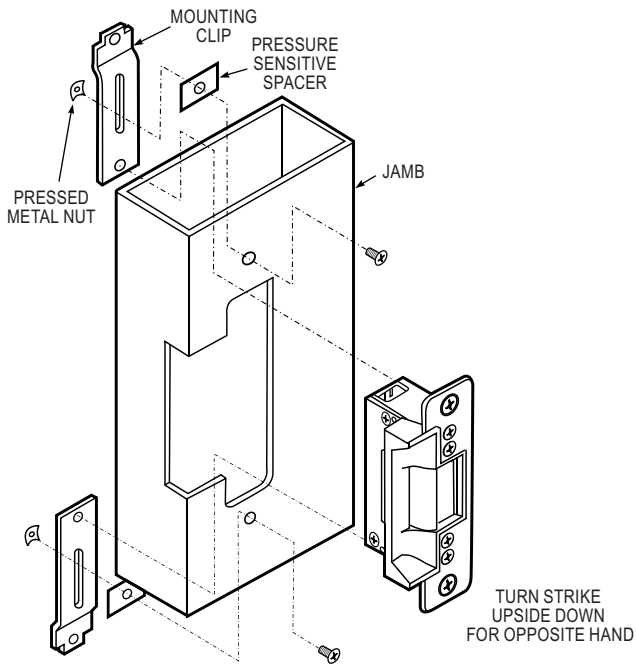


STANDARD UNIT FITS DIM. "A" UP TO 1-1/16"
(SEE HOW TO ORDER)
MOUNTING BRACKETS FURNISHED

Jamb Preparation



Installation



HOW TO ORDER 7100, 7101 ELECTRIC STRIKE

Specify quantity and the following information. Order related products separately.

PRODUCT NO.	FACEPLATE SHAPE	VOLTAGE	CURRENT AND DUTY	FEATURES*	FINISH**	LIP EXTENSIONS (DIM. A) (Door Centerline to Jamb Edge)
710	0	-3	1	0	-628	-00
	0 Flat	3 12 Volt	1 DC Continuous or Intermittent	0 Standard/Fail-Secure	313 Dark Bronze Anodized	00 1-1/16" or less 05 2"
	1 Radius	4 16 Volt	4 AC Intermittent	5 Fail-Safe	335 Black Anodized	01 1-1/2" 07 2-1/4"
		5 24 Volt		7 Monitored/ Fail-Safe	626 Satin Chrome	02 1-5/8" 09 2-1/2"
				9 Monitored/ Fail-Secure	628 Clear Anodized	03 1-3/4" 12 2-7/8"

*Fail-secure can be field converted to fail-safe or vice-versa. **7101 available in 628, 313, 335 only.

RELATED PRODUCTS

When purchasing this product, please consider the following related products, available separately:

Options	Power	Deadlatches
Lip extensions.	4603 Rectifier, 4605/4606 Transformer, Piezo Horn audible indicator, PS-1.	4500 and 4900 Series Deadlatches. Note that 4700 Deadlatch is discontinued and replaced by 4900 Deadlatch.