

4612 Power Transfer Device



ALUMINUM



HOLLOW METAL



WOOD

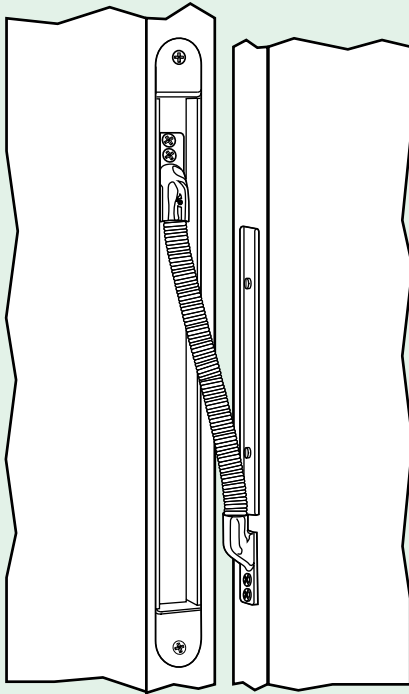


FIRE RATED

The 4612 Power Transfer Device channels electrical wiring from the door frame into the door itself. This powers electric strikes, locks, exit bars, and more on doors hung with butt-type hinges.

Function

Provides a secure and unobtrusive means of channeling electrical wiring from the door frame into the door itself, for powering electric strikes, locks, exit bars, etc. Suitable for any door hung with butt-type hinges, including continuous or pivots offset 3/4" or less. (Not compatible with center-pivot doors.)



Specifications

UL634

CONDUIT

- Spring steel helix has internal diameter of approximate 5/16". This provides ample room for multiple wires of the low voltage type used with most electrical hardware.

HOUSING

- Stamped steel, approximately 1/16" thick. Short (105° swing) version shown is 11-1/12" long. 180° version is 20-5/21" long. Chrome finish.

CASE-KNIFE GUARD

- Particularly for out-swinging doors, a steel barrier fence offers extra protection against attack on the conduit by knives, shims, or other tools. Completely hidden when door is closed.

OPTIONS

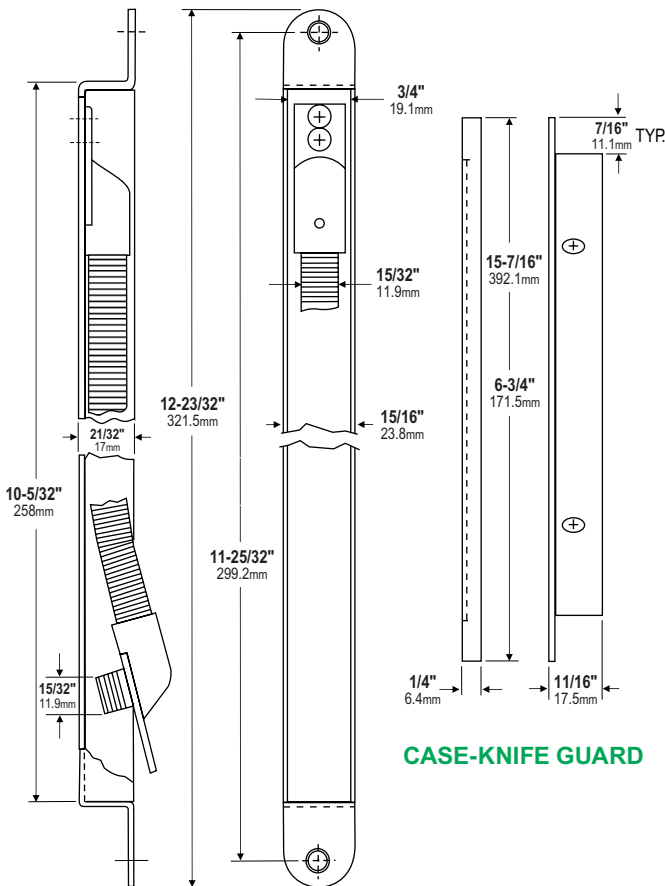
- Available for application in aluminum, hollow steel, or wood door and frames. Standard (short) version suits doors that swing up to 105°. A longer version is available for doors that open 180°. Swing Clear option is also available.

STANDARD PACKAGE

- Individually boxed with fasteners as required for each application type: wood, steel, or aluminum. Shipping weight approximately 1 lb.

All measurements are approximate and are provided for informational purposes only. Refer to the product Installation Instructions.

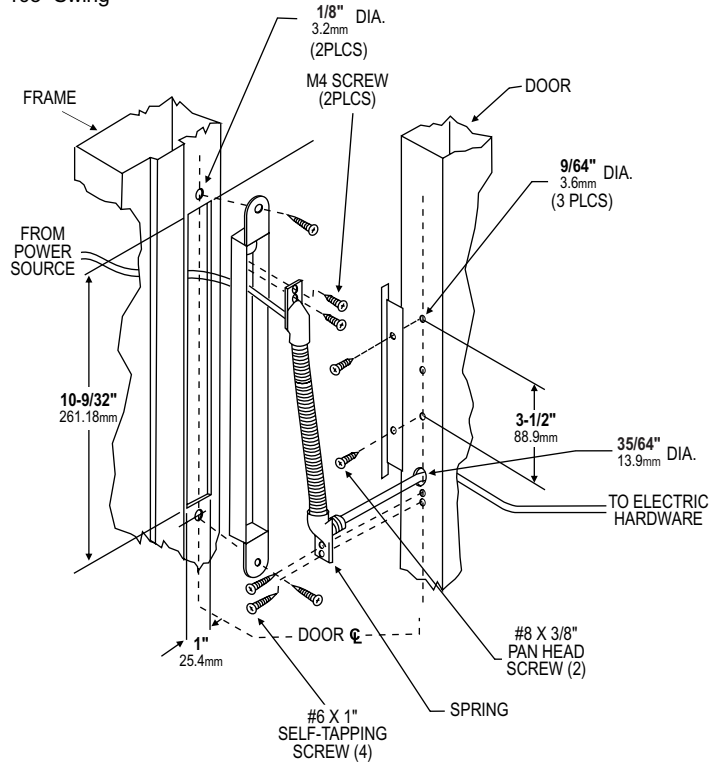
Dimensions



CASE-KNIFE GUARD

Installation

105° Swing



Door and Frame Prep - 105° Swing

1. For wood frame, the rectangular cutout is 2" deep minimum.
2. 4612 Power Transfer Device is designed to protect the wire. Care should also be taken when inserting wires through this device.
3. Only stranded wires to be employed.
4. Size and number of wires must comply with the National Electric Code, NFPA, and local authorizes having jurisdiction. Wire size shall be at least 22 gauge.
5. This device is intended for low voltage use only (30 VAC, 42.5 VDC, 10 W max.).
6. Wire should be labeled, appliance wiring material with minimum 1/32" thick insulation.

HOW TO ORDER 4612 POWER TRANSFER DEVICE

Specify quantity and the following information. Order related products separately.

DOOR SWING	
4612	-1
1	105° swing
1SC	Swing clear, 90°
2	180° swing

COMPATIBLE PRODUCTS This product is compatible with the following products:

Deadlatches

4300 Electrified Deadlatch.

Electric Strikes

7100, 7200, 7400 Series Electric Strikes.

Exit Devices

All electrified exit devices.

Trim

3080 Entry Trim, 3090P/3090C Keyless Entry