

# 4530 Standard Duty Deadlatch



ALUMINUM

GRADE 1  
E8231

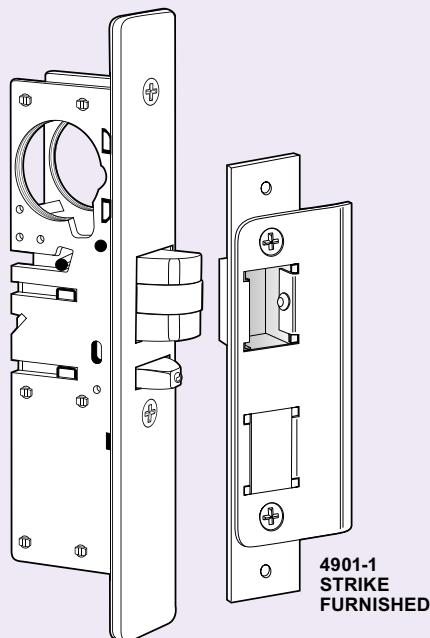
4530 Standard Duty Deadlatches provide flexible traffic control during and after business hours. Designed to retrofit into the prep of older MS1850 Deadlocks and 4250 Deadlatches.

## Function

The 4530 Standard Duty Deadlatch offers flexibility of traffic control during and after business hours. A reverse turn of the key while the bolt is held retracted retains the bolt to allow two-way traffic for hospitals, banks, stores, and other buildings which require free entrance at certain times and exit-only at other times. 4530 Deadlatches are designed to fit without alteration, the stile cutout for older MS1850 Deadlocks and discontinued 4250 Deadlatches of same backset.

## Operation

Turn key or operate handle to retract spring-loaded Latchbolt. To hold bolt retracted, push it in and secure by reverse turn of key. Uses any standard mortise cylinder with MS® dimensioned cam.



## Specifications

### BOLT HOLDBACK

- While bolt is held fully retracted, a reverse turn of the key retains the bolt, allowing the door to be free swinging.

### CYLINDER BACKSET

- 7/8", 31/32", or 1-1/8" only.

### CASE

- Measures 1" x 5-13/16" x depth. Depth varies by backset (see table on back of page). Steel with corrosion-resistant plating.

### LATCHBOLT

- 1/2" x 1" x 1/2" throw. All metal with hardened steel internal pins. Handing is reversible without special tools.

### AUXILIARY BOLT

- All metal. Deadlocks latchbolt to prevent "loiding" or case-knife entry.

### FACEPLATE

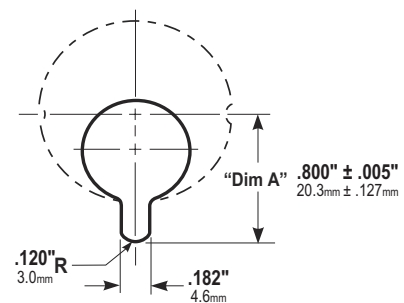
- Measures 1-1/4" x 7-13/32".

### STRIKES

- Standard strike furnished is 4901-01 for flat jamb. For dimensions of this as well as radiused and/or short strikes see ACCESSORIES section of this catalog.

### CYLINDER CAM

- 4530 Standard Duty Deadlatches are operable by any standard 1-5/32" diameter mortise cylinder with MS® cam dimensioned as shown. Cylinders with MS® cams can be readily obtained from most cylinder manufacturers. See CYLINDERS section for cylinder make, thumbturn and trim ring information.

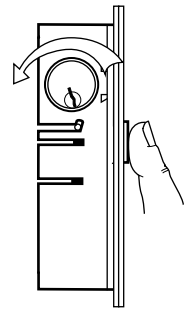


### OPTIONS

- Backset, faceplate shape, strike, handing, and finish must be specified when ordering.

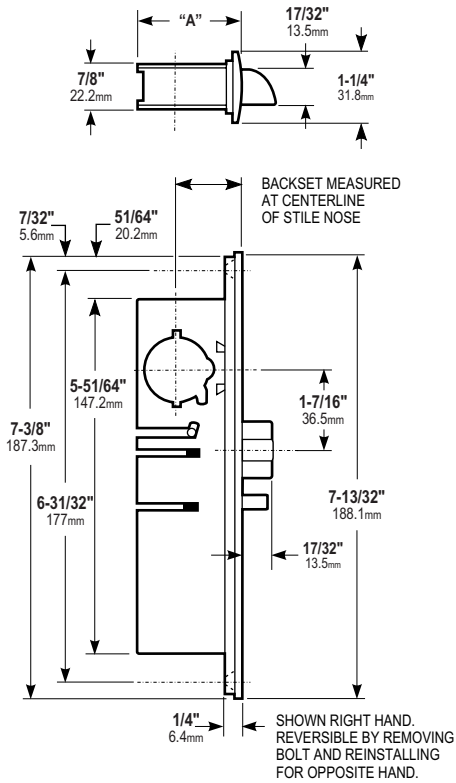
### STANDARD PACKAGE

- Individually boxed with strike and machine screws for mounting. Cylinders, paddles, and handles available separately. Shipping weight: 1-1/4 lbs.

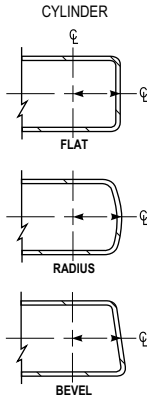


All measurements are approximate and are provided for informational purposes only. Refer to the product Installation Instructions.

### Dimensions



HOW BACKSET IS MEASURED:



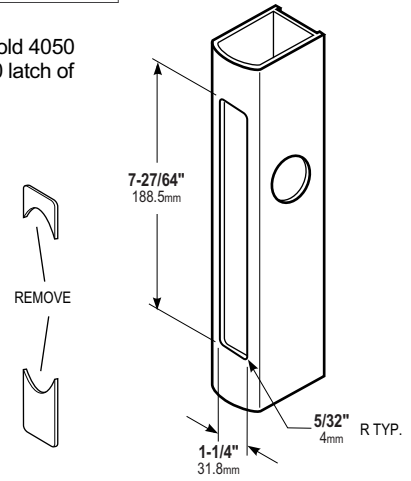
BACKSET	"A"
7/8" 22.2mm	1-33/64" 38.5mm
31/32" 24.6mm	1-19/32" 40.5mm
1-1/8" 28.6mm	1-49/64" 44.8mm

ARMORED FACEPLATE 1-1/4" X 7-13/32"
FLAT 4530
RADIUS 4531
LH BEVEL 4532-X5
RH BEVEL 4532-X6

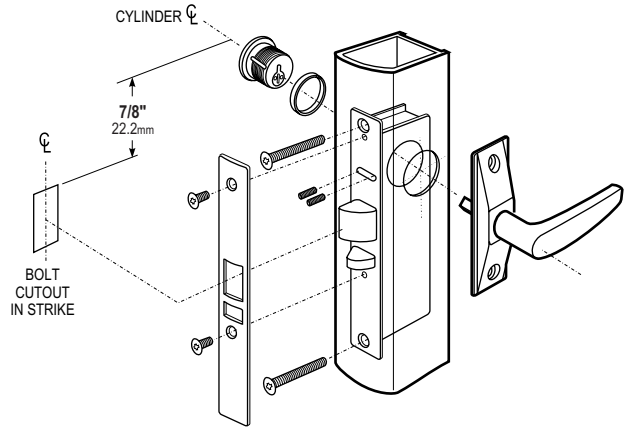
### Stile & Jamb Preparation

To replace old MS1850 lock or 4250 latch of same backset:  
**NO PREPARATION REQUIRED**

To replace 4070 lock, old 4050 latch, 970 lock or 1450 latch of same backset:



### Latch Paddle & Cylinder Installation



### HOW TO ORDER 4530 STANDARD DUTY DEADLATCH

Specify quantity and the following information. Order related products separately.

Product No.	FACEPLATE	BACKSET	HANDING	STRIKE SIZE	STRIKE SHAPE/LIP LENGTH	FACEPLATE FINISH
<b>453</b>	<b>1</b>	<b>-3</b>	<b>6</b>	<b>-1</b>	<b>01</b>	<b>-628</b>
	0 Flat	1 7/8"	5 LH or RHR	1 Mortised (4901) 4-5/8"	01 Flat/Standard Jamb	313 Dark Bronze Anodized
	1 Radius	2 31/32"	6 RH or LHR	2 Mortised (4902) 2-5/8"	02 Radius/Standard Stiles	335 Black Anodized
	2 Bevel	3 1-1/8"			17 Flat/Center Hung 4" Jamb	628 Clear Anodized
					21 Flat/Center Hung 4-1/2" Jamb	

**RELATED PRODUCTS** When purchasing this product, please consider the following related products, available separately:

**Accessories**

Lock mounting accessories and options.

**Cylinders**

4530 Standard Duty Deadlatches are operable by any standard 1-5/32" diameter mortise cylinder with MS® cam.

**Trim**

Entry trim, paddles, handles and lever operators.

**Electric Strikes**

Application Specific.