

4530 Standard Duty Deadlatch



ALUMINUM

GRADE 1
E8231

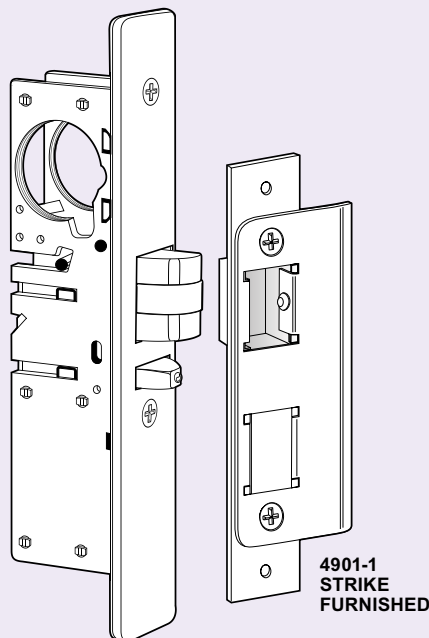
4530 Standard Duty Deadlatches provide flexible traffic control during and after business hours. Designed to retrofit into the prep of older MS1850 Deadlocks and 4250 Deadlatches.

Function

The 4530 Standard Duty Deadlatch offers flexibility of traffic control during and after business hours. A reverse turn of the key while the bolt is held retracted retains the bolt to allow two-way traffic for hospitals, banks, stores, and other buildings which require free entrance at certain times and exit-only at other times. 4530 Deadlatches are designed to fit without alteration, the stile cutout for older MS1850 Deadlocks and discontinued 4250 Deadlatches of same backset.

Operation

Turn key or operate handle to retract spring-loaded Latchbolt. To hold bolt retracted, push it in and secure by reverse turn of key. Uses any standard mortise cylinder with MS® dimensioned cam.



Specifications

BOLT HOLDBACK

- While bolt is held fully retracted, a reverse turn of the key retains the bolt, allowing the door to be free swinging.

CYLINDER BACKSET

- 7/8", 31/32", or 1-1/8" only.

CASE

- Measures 1" x 5-13/16" x depth. Depth varies by backset (see table on back of page). Steel with corrosion-resistant plating.

LATCHBOLT

- 1/2" x 1" x 1/2" throw. All metal with hardened steel internal pins. Handing is reversible without special tools.

AUXILIARY BOLT

- All metal. Deadlocks latchbolt to prevent "loiding" or case-knife entry.

FACEPLATE

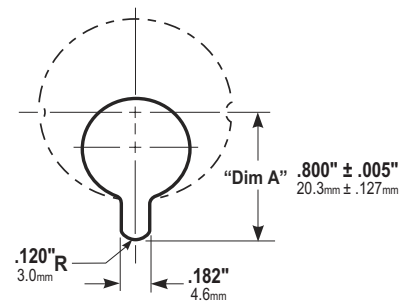
- Measures 1-1/4" x 7-13/32".

STRIKES

- Standard strike furnished is 4901-01 for flat jamb. For dimensions of this as well as radiused and/or short strikes see ACCESSORIES section of this catalog.

CYLINDER CAM

- 4530 Standard Duty Deadlatches are operable by any standard 1-5/32" diameter mortise cylinder with MS® cam dimensioned as shown. Cylinders with MS® cams can be readily obtained from most cylinder manufacturers. See CYLINDERS section for cylinder make, thumbturn and trim ring information.

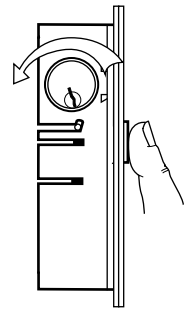


OPTIONS

- Backset, faceplate shape, strike, handing, and finish must be specified when ordering.

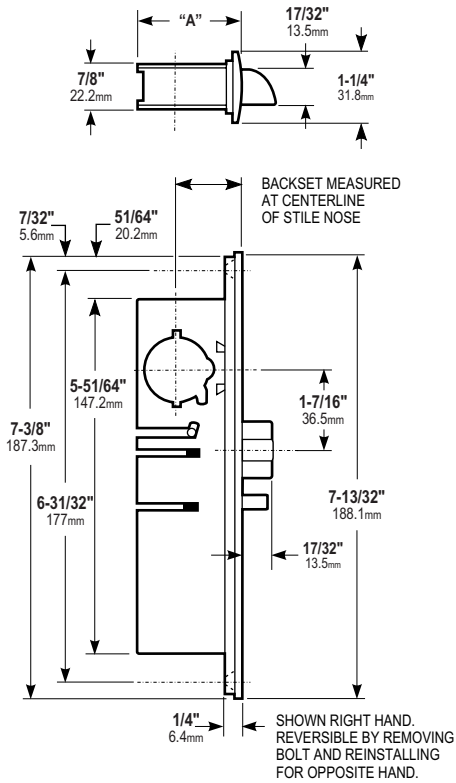
STANDARD PACKAGE

- Individually boxed with strike and machine screws for mounting. Cylinders, paddles, and handles available separately. Shipping weight: 1-1/4 lbs.

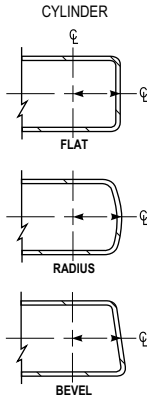


All measurements are approximate and are provided for informational purposes only. Refer to the product Installation Instructions.

Dimensions



HOW BACKSET IS MEASURED:



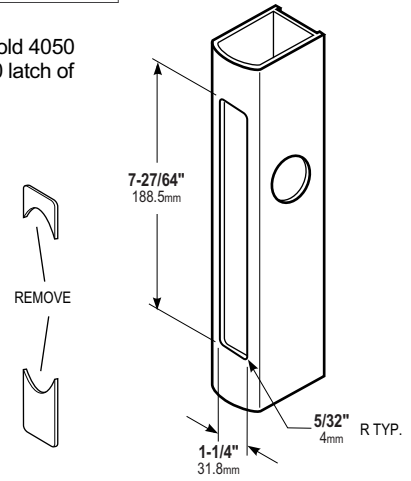
BACKSET	"A"
7/8" 22.2mm	1-33/64" 38.5mm
31/32" 24.6mm	1-19/32" 40.5mm
1-1/8" 28.6mm	1-49/64" 44.8mm

ARMORED FACEPLATE 1-1/4" X 7-13/32"
FLAT 4530
RADIUS 4531
LH BEVEL 4532-X5
RH BEVEL 4532-X6

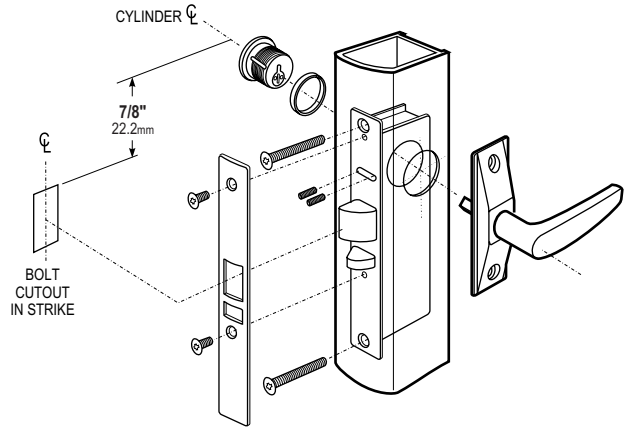
Stile & Jamb Preparation

To replace old MS1850 lock or 4250 latch of same backset:
NO PREPARATION REQUIRED

To replace 4070 lock, old 4050 latch, 970 lock or 1450 latch of same backset:



Latch Paddle & Cylinder Installation



HOW TO ORDER 4530 STANDARD DUTY DEADLATCH

Specify quantity and the following information. Order related products separately.

Product No.	FACEPLATE	BACKSET	HANDING	STRIKE SIZE	STRIKE SHAPE/LIP LENGTH	FACEPLATE FINISH
453	1	-3	6	-1	01	-628
	0 Flat	1 7/8"	5 LH or RHR	1 Mortised (4901) 4-5/8"	01 Flat/Standard Jamb	313 Dark Bronze Anodized
	1 Radius	2 31/32"	6 RH or LHR	2 Mortised (4902) 2-5/8"	02 Radius/Standard Stiles	335 Black Anodized
	2 Bevel	3 1-1/8"			17 Flat/Center Hung 4" Jamb	628 Clear Anodized
					21 Flat/Center Hung 4-1/2" Jamb	

RELATED PRODUCTS When purchasing this product, please consider the following related products, available separately:

Accessories

Lock mounting accessories and options.

Cylinders

4530 Standard Duty Deadlatches are operable by any standard 1-5/32" diameter mortise cylinder with MS® cam.

Trim

Entry trim, paddles, handles and lever operators.

Electric Strikes

Application Specific.