

4510 Standard Duty Deadlatch



ALUMINUM

GRADE 1
E8231

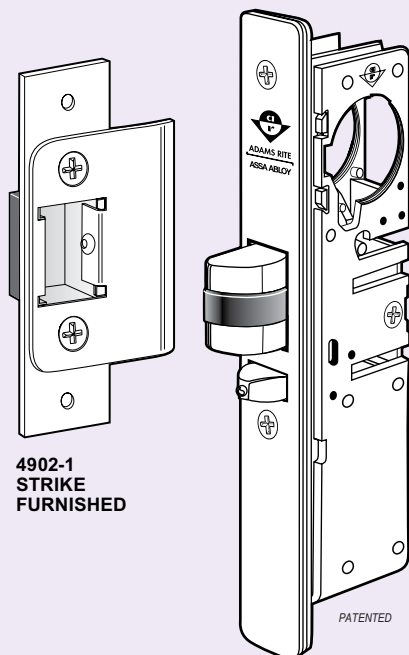
4510 Standard Duty Deadlatches provide flexible traffic control during and after business hours.

Function

The 4510 Standard Duty Deadlatch offers flexibility of traffic control during and after business hours. A reverse turn of the key while the bolt is held retracted retains the bolt to allow two-way traffic for hospitals, banks, stores, and other buildings which require free entrance at certain times and exit-only at other times. Interchangeable, without stile modification, with any MS1850A or MS1850S Deadlock of same backset and faceplate shape. Does not, however, provide the same maximum security level as the MS® Deadlock.

Operation

Turn key or operate handle to retract spring-loaded Latchbolt. To hold bolt retracted, push it in and secure by reverse turn of key. Uses any standard mortise cylinder with MS® dimensioned cam.



4902-1
STRIKE
FURNISHED

PATENTED

Specifications

BOLT HOLDBACK

- While bolt is held fully retracted, a reverse turn of the key retains the bolt, allowing the door to be free swinging.

CYLINDER BACKSET

- 7/8", 31/32", 1-1/8" or 1-1/2" only.

CASE

- Measures 1" x 5-13/16" x depth. Depth varies by backset (see table on back of page). Steel with corrosion-resistant plating.

LATCHBOLT

- 1/2" x 1" x 1/2" throw. All metal with hardened steel internal pins. Handing is reversible without special tools.

AUXILIARY BOLT

- All metal. Deadlocks latchbolt to prevent "loiding" or case-knife entry.

FACEPLATE

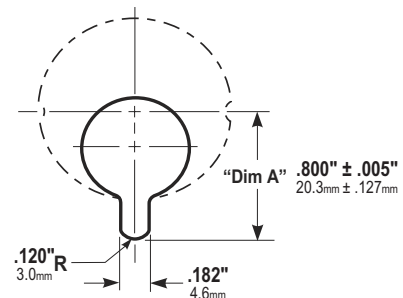
- Measures 1" x 6-7/8".

STRIKES

- Standard strike furnished is 4902-01 for flat jamb where door closes flush or nearly flush. Available separately: radius strike for opposite stile in paired doors; longer strike (4901) to cover slot strike of MS lock; long lip strikes for centerhung doors.

CYLINDER CAM

- 4510 Standard Duty Deadlatches are operable by any standard 1-5/32" diameter mortise cylinder with MS® cam dimensioned as shown. Cylinders with MS® cams can be readily obtained from most cylinder manufacturers. See CYLINDERS section for cylinder make, thumbturn and trim ring information.

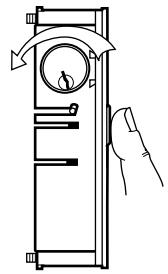


OPTIONS

- Backset, faceplate shape, strike, handing, and finish must be specified when ordering.

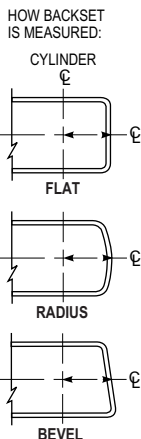
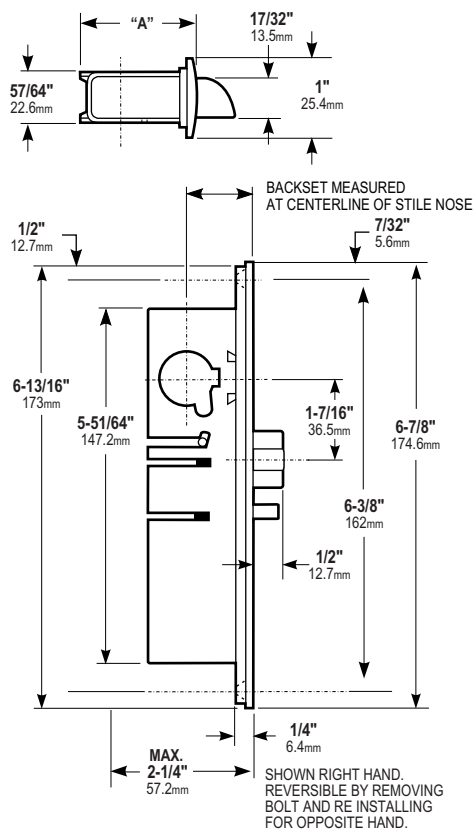
STANDARD PACKAGE

- Individually boxed with strike, and machine screws for mounting. Cylinders, paddles, and handles available separately. Shipping weight: 1-1/4 lbs. Also available in a 25-unit pack for volume customers.



All measurements are approximate and are provided for informational purposes only. Refer to the product Installation Instructions.

Dimensions

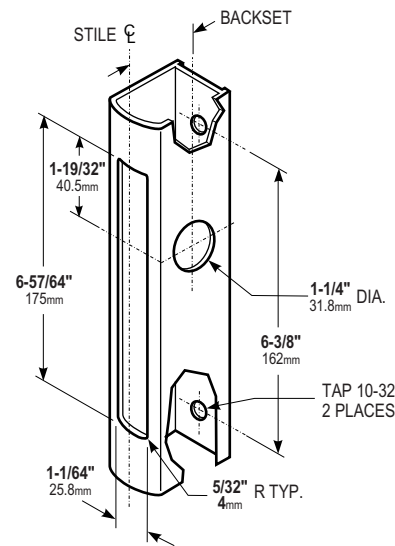


| BACKSET | "A" |
|------------------|--------------------|
| 7/8" 22.2mm | 1-33/64" 38.5mm |
| 31/32" 24.6mm | 1-19/32" 40.5mm |
| 1-1/8" 28.6mm | 1-49/64" 44.8mm |
| 1-1/2" 38.1mm | 2-9/64" 54.4mm |

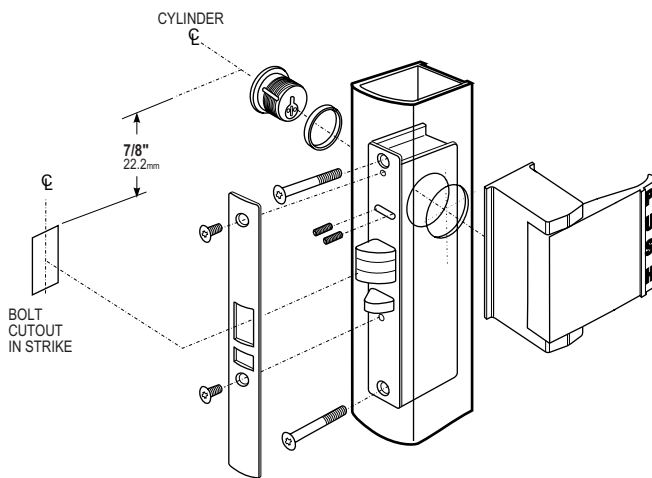
| ARMORED FACEPLATE 1" X 6-7/8" |
|----------------------------------|
| FLAT 4510 |
| RADIUS 4511 |
| RADIUS W/ WEATHERSTRIP 4511W |
| LH BEVEL 4512-X5 |
| RH BEVEL 4512-x6 |

Stile Preparation

Identical to MS 1850A Series (See also prep for 4590 Paddle)



Latch Paddle & Cylinder Installation



HOW TO ORDER 4510 STANDARD DUTY DEADLATCH

Specify quantity and the following information. Order related products separately.

| Product No. | FACEPLATE | BACKSET | HANDING | STRIKE SIZE | STRIKE SHAPE/LIP LENGTH | FACEPLATE FINISH |
|-------------|-----------------------------|-----------|-------------|--------------------------|---------------------------------|--------------------------|
| 451 | 1 | -3 | 6 | -2 | 01 | -628 |
| | 0 Flat | 1 7/8" | 5 LH or RHR | 1 Mortised (4901) 4-5/8" | 01 Flat/Standard Jamb | 313 Dark Bronze Anodized |
| | 1 Radius | 2 31/32" | 6 RH or LHR | 2 Mortised (4902) 2-5/8" | 02 Radius/Standard Stiles | 335 Black Anodized |
| | 1W Radius with weatherstrip | 3 1-1/8" | | | 17 Flat/Center Hung 4" Jamb | 628 Clear Anodized |
| | 2 Bevel | 4 1-1/2" | | | 21 Flat/Center Hung 4-1/2" Jamb | |

RELATED PRODUCTS When purchasing this product, please consider the following related products, available separately:

Accessories

Lock mounting accessories and options.

Cylinders

4510 Standard Duty Deadlatches are operable by any standard 1-5/32" diameter mortise cylinder with MS® cam.

Trim

Entry trim, paddles, handles and lever operators.

Electric Strikes

Application specific.