

TVA737



Display size  
**22"-40"**



Max load  
**40lb (18kg)**

# tru•vue™

## Full-Motion Tilting Wall Mount

FOR 22" TO 40" DISPLAYS

The TruVue™ series wall mounts combine ease of installation with viewing flexibility. With TVA737, extend the TV up to 12.70" (323mm) or fully-retract it to just 2.59" (66mm) from the wall for the optimum viewing angle. The Hook-and-Hang™ system offers easy, one-person installation of the TV. A ratcheting handle provides locking tilt capability for quick adjustments to the amount of tilt, reducing glare and optimizing the viewing angle. With the cable management feature, cables can be routed and secured for a clean and clutter-free look.

*Full-motion capabilities allow you to swivel, tilt, extend or retract your TV for the perfect viewing angle.*



### Additional Features

- ✓ Positions TV only 2.59" (66mm) from the wall or extends up to 12.70" (323mm)
- ✓ Includes necessary wall and TV attachment hardware
- ✓ Accommodates VESA® 100mm, 200 x 100mm and 200 x 200mm mounting hole patterns
- ✓ Design is UL listed and tested to four times the stated load capacity
- ✓ Cable management provides a point to secure and route cables for safety and a clean look
- ✓ TV can be rotated left and right after installation for guaranteed leveling



<b>TVA737</b>	TruVue™ Full-Motion Tilting Wall Mount for 22" to 40" Displays
---------------	--

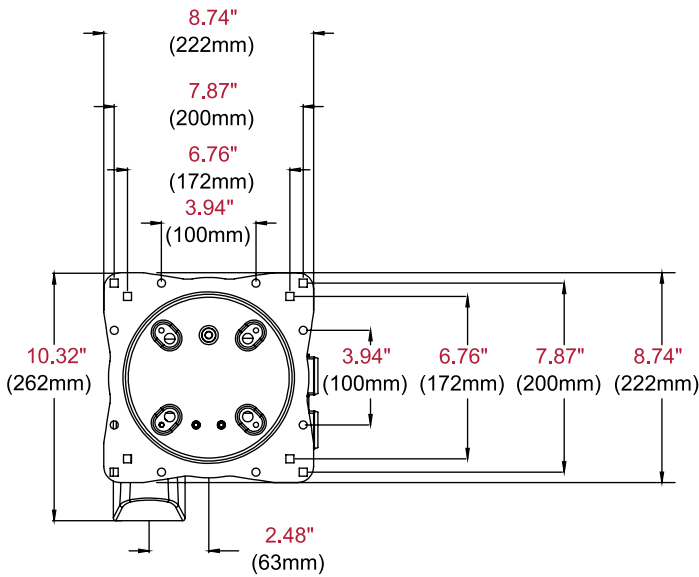
**Product Specifications**

	DIMENSIONS (W x H x D)	PRODUCT WEIGHT	LOAD CAPACITY	FINISH	AVAILABLE COLORS
<b>TVA737</b>	8.74" x 10.32" x 2.59"-12.70" (222 x 262 x 66-323mm)	4.4lb (2.0kg)	40lb (18kg)	Scratch resistant fused epoxy	Matte black

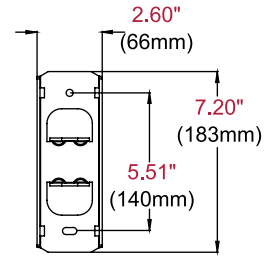
**Package Specifications**

	PACKAGE SIZE (W x H x D)	PACKAGE SHIP WEIGHT	PACKAGE UPC CODE	PACKAGE CONTENTS	UNITS IN PACKAGE
<b>TVA737</b>	10.12" x 3.35" x 10.87" (257 x 85 x 276mm)	5.8lb (2.6kg)	735029293132	Wall mount, wall and TV installation hardware, level	1

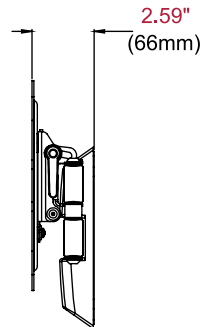
All dimensions = inch (mm)



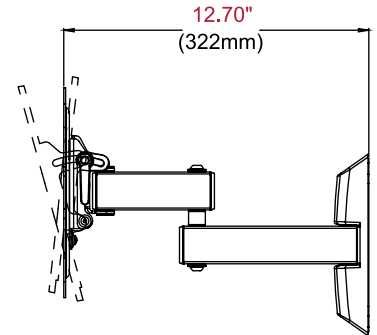
**FRONT VIEW**



**WALL PLATE DETAIL**



**SIDE VIEW COLLAPSED**



**SIDE VIEW EXTENDED  
+15°/-5° TILT**

**Architect Specifications**

The TruVue™ Full-Motion Tilting Wall Mount shall be a Peerless-AV model TVA737 and shall be located where indicated on the plans. Assembly and installation shall be done according to instructions provided by the manufacturer.

Visit [peerless-av.com](http://peerless-av.com) to see the complete line of AV solutions from Peerless-AV, including outdoor displays, wireless, kiosks, digital audio, display mounts, projector mounts, carts/stands, and a full assortment of accessories.

**Peerless-AV**  
2300 White Oak Circle  
Aurora, IL 60502 USA  
**(800) 865-2112**  
**(630) 375-5100**  
**Fax: (800) 359-6500**

**Peerless-AV Europe**  
Unit 3 Watford Interchange  
Colonial Way, Watford  
Herts, WD24 4WP  
United Kingdom  
**+44 (0) 1923 200100**  
**Fax: +44 (0) 1923 200101**

**Peerless-AV de México**  
Ave de las Industrias 413  
Parque Industrial Escobedo  
Escobedo, N.L.,  
Mexico 66050  
**+52 (81) 8384-8300**  
**Fax: +52 (81) 8384-8360**

