

PASSIVE INFRARED SENSOR

PA-7012E (Wide type)

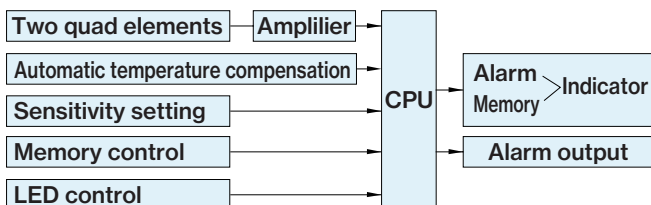
PA-7030E (Long type)



DIGITAL-QUAD PASSIVE INFRARED SENSOR

GENERAL DESCRIPTION

The PA-7000 series are "Digital-Quad" passive sensors. Each unit contains two dual element sensors which are linked by a digital central processing unit. This results in calculation of a true motion signal in order to initiate an alarm. It can detect a human like pattern definition and reject other potential false alarm causes.



TAKEX original CPU controls all of sensor functions including signal processing or calculation work.

AUTOMATIC TEMPERATURE COMPENSATION CIRCUIT

Sensitivity of the unit is automatically adjusted relative to the environmental temperature. The sensitivity becomes maximum at body temperature range and decreases when the temperature differential changed either higher or lower. This eliminates the need for seasonal manual adjustments.

ALARM MEMORY

Unit contains special circuitry to indicate that it has activated an alarm during its armed period.

REMOTE CONTROL LED

Allows the walk test LED to be enabled/disabled remotely through a control panel.

EXCELLENT RFI, EMI IMMUNITY

CEILING OR WALL MOUNTING AVAILABLE

Flush mounting available as an option.

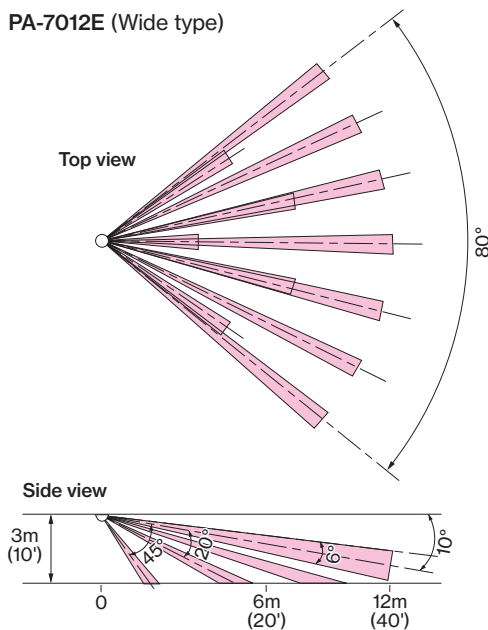
EASY INSTALLATION / LOCATION

Convenient twist lock base and built-in zone locator.

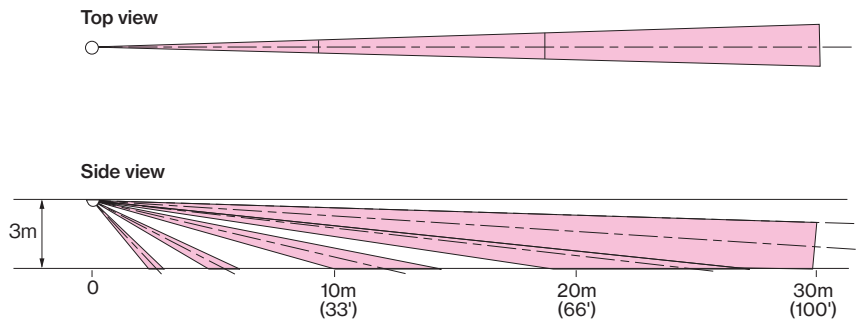
PASSIVE INFRARED SENSOR

COVERAGE

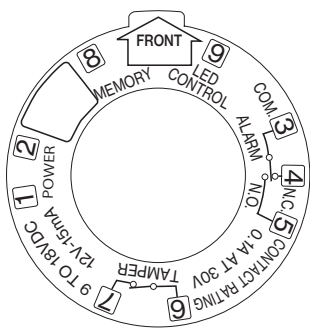
PA-7012E (Wide type)



PA-7030E (Long type)



TERMINAL ARRANGEMENT



1 2

Power input
Input voltage is 9 to 18 VDC
non-polarity

3 4 5

Alarm output
When no alarm is present,
there is continuity between COM-N.C.
When an activation occurs,
there is continuity between COM-N.O.

6 7

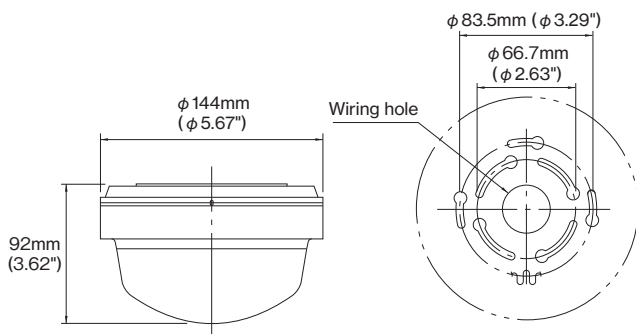
Tamper output
When the cover is attached,
there is continuity.
When the cover is removed,
there is no continuity.

8 Refer to "MEMORY FUNCTION"

9 Refer to "LED CONTROL"

EXTERNAL DIMENSIONS

[Unit : mm (inch)]



SPECIFICATIONS

Product name	PASSIVE INFRARED SENSOR	
Model	PA-7012E	PA-7030E
Area	Wide type	Long type
Coverage	Max. 12m (40') 90m ²	Max. 30m (100')
Number of sensitivity zone	56 (28 pair)	20 (10 pair)
Mounting position	Indoor ceiling or wall	
Supply voltage	9V to 18V DC, Non polarity	
Power consumption	30mA Max (Class 2 Only)	
Alarm output	0.1A, 30V, 1C (SPDT) Reset : 2 sec. ±1 sec.	
Tamper output	0.1A, 30V, 1b (SPST)	
Ambient temperature range	-10°C to +50°C (+14°F to +122°F)	
Memory function	Control at terminal 8 : Lights up for memory indication	
LED control	Control at terminal 9 or built-in switch	
Weight	330g (11.6oz)	

* The specifications are subject to change without notice.

OPTIONAL

- Flash mount attachment BU-7000



Please note : This sensor is designed to detect intrusion and to initiate an alarm; it is not a burglary or a crime preventing device. TAKEX is not responsible for damage, injury or losses caused by accident, theft, Acts of God (including inductive surge by lightning), abuse, misuse, abnormal usage, faulty installation or improper maintenance.

TAKEX

In Japan

Takekaka Engineering Co., Ltd.
83-1, Gojo-Dori, Sotokan Nishi-iru, Higashino,
Yamashina-ku, Kyoto 607-8156, Japan
Tel : 81-75-501-6651

<https://www.takex-eng.co.jp/>

In the U.S.

Takek America Inc.
1810 Oakland Rd, Suite F,
San Jose, CA 95131, USA
TEL : 408-747-0100
FAX : 408-734-1100

<https://www.takex.com>

In Australia

Takek America Inc.
4/15 Howleys Road, NottingHill,
VIC,3168
Tel : +61 (03) 9544-2477
Fax : +61 (03) 9543-2342

<https://www.takex.com>

In the U.K.

Takek Europe Ltd.
Aviary Court, Wade Road,
Basingstoke, Hampshire. RG24 8PE, U.K.
Tel : (+44) 01256-475555
Fax : (+44) 01256-466268

<https://www.takex.com>