

Features

- Piezo Sounder for Fire Alarm Indoor applications
- Low current and High Sound Output
- Wide range operating temperature 32°F to 120°F (0°C to 50°C)
- Ideal for Residential or Commercial application
- 6 3/4" wire leads for Easy field wiring
- Available in red or white
- Jumper selectable temporal 3 or continuous tone
- Product includes a 5 year warranty
- Multitone feature allows selection of Temporal 3 evacuation tone as required by NFPA 72 or steady tone



Description

Potter's MT-Mini Horn is an inexpensive alternative for a low current 120 volt AC piezo Remote Signaling Device that is ideally suited for hotels, motels, apartments, institutional and residential fire alarm systems where a dependable alarm signal is required. The MT-Mini Horn is comprised of a single gang size plate and a 120 VAC piezo horn. The horn emits a high dB output selectable as either temporal 3 or continuous with a very small current draw. The MT-Mini Horn is available in red and white and mounts on a single gang box. Leads are provided for quick connection to the wiring circuit.

Installation

The MT Mini Horn series is intended for use in fire protective signaling systems and shall be installed in accordance with all applicable local codes and standards and the authority having jurisdiction. The device shall be installed in a standard single gang electric enclosure. All wiring shall be in accordance with the National Electrical Code, NFPA 70, and the National Fire Alarm and Signaling Code, NFPA 72, CSA C22.1, Canadian Electrical Code, Part I, Safety Standard for Electrical Installations, Section 32, and CAN/ULC-S524. The MT series mini horn is intended for indoor use only and is not listed for outdoor use. When mounted on a wall, the top of the device shall not be less than 90" AFF and not less than 6" below the ceiling.

The National Fire alarm code, NFPA 72, the National Building Code of Canada, CAN/ULC S524 and CAN/ULC S525 require that audible notification appliances used to notify occupants of the need to evacuate or relocate shall produce a temporal 3 pattern.

Technical Specifications

Rated Voltage	120 VAC
Rated Current	72 mA
Horn Mode:	Minimum dBA at 10' per ANSI/UL464
Continuous Horn Mode	87
Temporal 3 Horn Mode	84
ULC464/S525 Anechoic Chamber at 10'	Min.
Continuous Horn Mode	90
Temporal 3 Horn Mode	91
Operating Temperature Range	32°F to +150°F (0°C to 50°C)
Plate	Plastics (polyethylene terephthalate)
	Color selection: red/white (do not paint)
Electrical Termination	4 No. 18 AWG stranded wires 6.75" long
Mounting Type	Wall or ceiling mount
Dimensions	2.84"W x 4.48"H x 0.5"D

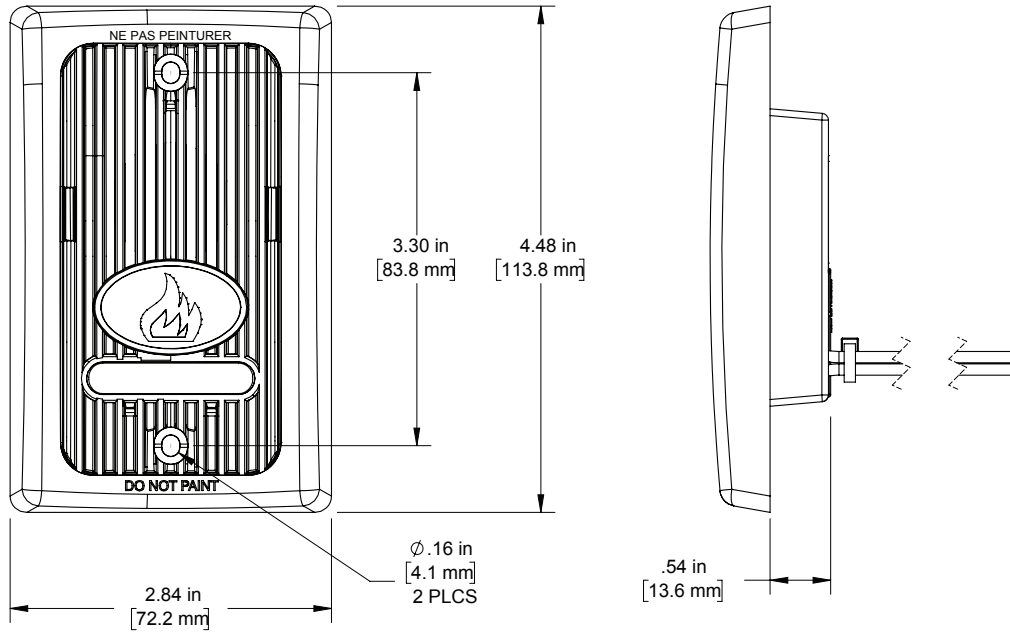
NOTE: Sound Level in the indoor installation may vary depending on the space.

WARNING

- Installation must be performed by qualified personnel and in accordance with all national and local codes and ordinances.
- Shock hazard. Disconnect power source before servicing. Serious injury or death could result.
- Risk of explosion. Not for use in hazardous locations. Serious injury or death could result.

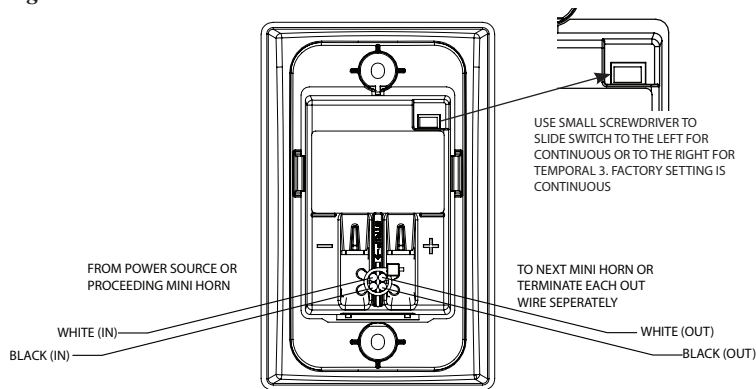
Dimensions

Fig 1



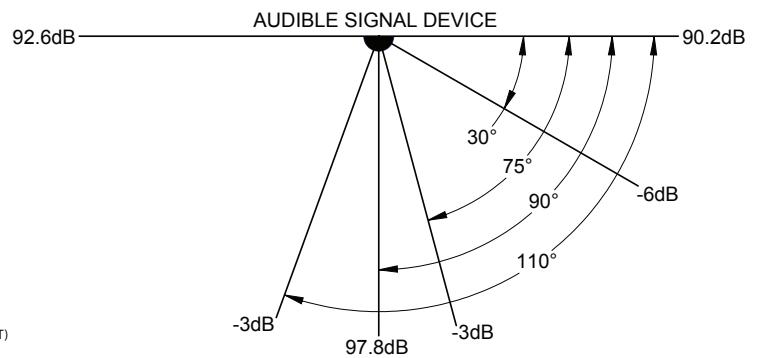
Rear View Wiring

Fig 2



Directional Characteristics

Fig 3



Ordering Information

Model	Description	Stock No.
MTR-120MH	RED 120 VAC MINIHORN	1610226
MTW-120MH	WHITE 120 VAC MINIHORN	1610227