

PA402 Mount

POLE MOUNT, SPECTRA® AND LEGACY® ADAPTER

Product Features

- Low Cost
- Rugged Construction
- Supports up to 75 Pounds (34 kg)
- Pole Mount Adapter for Spectra® and Legacy® Wall Mounts (IWM Series, IDM4018, and LWM41)
- Design Includes Mounting Studs for Quick, Simple Installation of Wall Mount



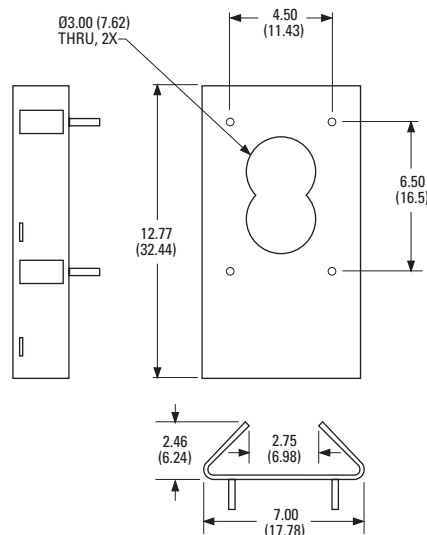
PA402 SHOWN WITH REMOVABLE BLOCK-OFF PLATE

The **PA402** is a pole mount adapter designed for use with Spectra® and Legacy® wall mounts. For Spectra, DF5, or DF8 Series pendant domes, use the IWM Series and IDM4018 wall mount. For Legacy positioning systems, use the LWM41 wall mount.

The LWM41, IWM Series, or IDM4018 wall mount is secured to the **PA402** by four 5/16-inch mounting studs; nuts and split lock washers are supplied.

Constructed from aluminum, the **PA402** is capable of supporting up to 75 pounds (34 kg) and features a cable feedthrough hole for easy routing of video and power cables. A block-off plate is included for non-feedthrough outdoor applications.

The **PA402** is for use on poles having a 3-inch (7.62 cm) to 8-inch (20.32 cm) diameter.



NOTE: VALUES IN PARENTHESES ARE CENTIMETERS; ALL OTHERS ARE INCHES.



TECHNICAL SPECIFICATIONS

MODEL

PA402 Pole mount adapter for IWM Series, IDM4018 and LWM41 wall mounts

RELATED PRODUCTS

IWM Series Wall mount with cable feedthrough for use with Spectra®, DF5, or DF8 Series pendant style domes.

IDM4018 Wall mount with removable front end cap and cable feedthrough for use with Spectra, DF5, or DF8 Series pendant style domes.

LWM41 Legacy® wall mount. For use with Legacy integrated positioning systems.

EA4348 EWM adapter plate. Allows an EWM wall mount to be installed on a PA402 for use with an Esprit® Series integrated positioning system.

MECHANICAL

Adapter Mounting Four 5/16-inch mounting studs (nuts and split lock washers supplied) for attaching LWM41, IDM4018, EA4348, or IWM Series mount

Mounting Method Slots for mounting straps; three stainless steel straps supplied. Straps fit 3-inch (7.62 cm) to 8-inch (20.32 cm) diameter pole.

GENERAL

Construction 5052H32 aluminum, 0.190-inch (4.8 mm) thick

Finish Gray polyester powder coat

Maximum Load 75 lb (34 kg)

Unit Weight 3.48 lb (1.58 kg)

Shipping Weight 5 lb (2.27 kg)



Pelco, Inc. Worldwide Headquarters:
3500 Pelco Way, Clovis, California 93612-5699 USA
USA & Canada Tel: (800) 289-9100 • FAX: (800) 289-9150
International Tel: +1 (559) 292-1981 • FAX: +1 (559) 348-1120
www.pelco.com

Pelco, the Pelco logo, Esprit, Legacy, and Spectra are registered trademarks of Pelco, Inc.
Product specifications and availability subject to change without notice.
©Copyright 2006, Pelco, Inc. All rights reserved.