

FTV10M Miniature Fiber Transmitter

SINGLE-CHANNEL DIGITALLY ENCODED VIDEO

Product Features

- Miniature Module Designed for Use in Pelco® EH2515/EH3512/EH3515 Series Camera Enclosures and in DF5/DF8 Series Fixed Mount Domes, or for Use as a Stand-Alone Module
- 10-Bit Digitally Encoded Video for High-Quality Transmission over a Single Fiber
- 1 Simplex Contact Closure
- Multimode Fiber Support for Distances up to 4 km (2.5 mi)
- Single-Mode Fiber Support for Distances up to 54 km (33.6 mi)
- Exceeds All Requirements for EIA RS-250C Short-Haul Transmission Specifications
- Laser for Transmission of Optical Signals
- Compatible with NTSC, PAL, or SECAM Video Standards
- Designed to Meet NEMA TS 1/TS 2 and Caltrans Traffic Signal Control Equipment Environmental Standards
- LED Status Indicators for Monitoring All Critical Operating Parameters



FTV10S1STM

The **FTV10M** miniature fiber transmitter allows transmission of one composite video channel over one optical fiber. The **FTV10M** transmitter is compatible with the FRV20 Series receivers. The **FTV10M** transmitter is available in multimode and single-mode versions. When using single-mode fiber, the **FTV10M** transmitter and compatible receiver offer an optical power budget of up to 16 dB and provide a transmission distance of up to 54 km (33 mi).

Plug-and-play design ensures ease of installation requiring no electrical or optical adjustments. Specially designed for use in EH2515/EH3512/EH3515 Series camera enclosures and in DF5/DF8 Series fixed mount domes, the **FTV10M** transmitter can also be used as a stand-alone module. As a stand-alone module, the unit can be placed on a desktop or can be mounted to a wall.

For stand-alone and wall mount installations, external power is required for the **FTV10M** transmitter. The unit can be powered with the recommended FEXTPS fiber external power supply.

TECHNICAL SPECIFICATIONS

MODEL

| Transmitter | Compatible Receiver | Fiber Optical Connector Type | Number of Fibers | Wavelength | Optical Power Budget | Maximum Transmission Distance* |
|---|---------------------|------------------------------|------------------|------------|----------------------|--------------------------------|
| Multimode (62.5/125 µm) | | | | | | |
| FTV10M1STM | FRV20M2ST | ST | 1 | 1310 nm | 12 dB | 4 km (2.5 mi) |
| Single Mode (9/125 µm) | | | | | | |
| FTV10S1STM | FRV20S2ST | ST | 1 | 1310 nm | 16 dB | 54 km (33.6 mi) |
| FTV10S1FCM | FRV20S2FC | FC | 1 | 1310 nm | 16 dB | 54 km (33.6 mi) |
| <p>Note: This product requires a fiber installation with a minimum 30 dB connector return loss</p> <p>*Transmission distance will be diminished if additional losses are introduced by the optical connectors, splices and other factors regarding the quality of the fiber. Operating distance of multimode is limited by the characteristics of the fiber bandwidth.</p> | | | | | | |

VIDEO

| | |
|---------------------------|---|
| Number of Channels | 1 |
| Video Input | 1.0 Vp-p, 75 ohms |
| Overload | >1.5 Vp-p |
| Bandwidth (minimum) | 5 Hz to 10 MHz |
| Differential Gain | <2% |
| Differential Phase | <0.7° |
| Tilt | <1% |
| Signal-to-Noise Ratio | >67 dB typical at maximum optical loss |
| Max. Coaxial Cable (RG59) | 100 m (300 ft) camera to fiber optic module to maintain bandwidth |

ELECTRICAL

| | |
|-----------------------|----------------------------|
| Power Consumption | 2 W, 28 BTU/H |
| Power Input | 9 to 36 VDC; 12 to 24 VAC |
| MTBF | >100,000 hours |
| Optical Emitter | Laser |
| LED Indicators | Video, contact |
| Contact Closure Input | Closure to ground, 0.33 mA |

MECHANICAL

| | |
|--------------------|---|
| Connectors | Terminal block |
| Power | ST or FC |
| Optical | BNC (gold-plated center pin) |
| Video | Terminal block |
| Contact | Terminal block |
| Current Protection | Automatic resettable solid-state current limiters |
| Circuit Board | Meets IPC standard |

GENERAL

| | |
|-----------------------|--|
| Dimensions | 5.72 × 7.62 × 2.74 cm (2.25" D × 3.00" W × 1.08" H) |
| Operating Temperature | -40° to 75°C (-40° to 167°F) |
| Storage Temperature | -40° to 85°C (-40° to 185°F) |
| Relative Humidity | 0% to 95%, noncondensing |
| Unit Weight | 0.15 kg (0.34 lb) |
| Shipping Weight | 0.90 kg (2.00 lb) |

SUPPLIED ACCESSORIES

Wall mounting bracket (supplied); refer to dimension drawing

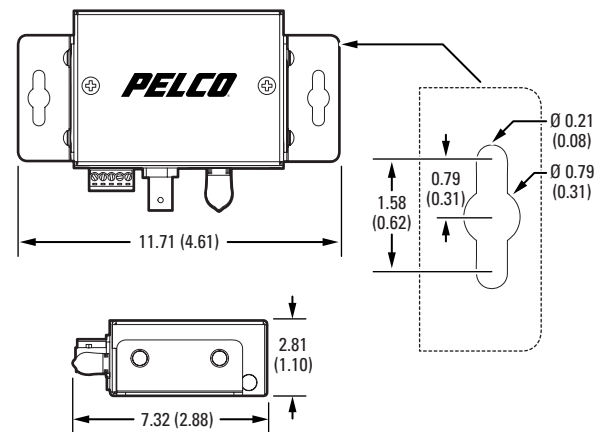
RECOMMENDED ACCESSORIES

| | |
|-------------|---|
| FKIT-DF5DF8 | Fiber mount kit for use with DF5 Series and DF8 Series fixed mount domes |
| FKIT-EH2500 | Fiber mount kit for use with EH2500 Series enclosures |
| FKIT-EH3500 | Fiber mount kit for use with EH3500 Series enclosures |
| FEXTPS | Fiber external power supply with multiple plug adaptors (North American, Australian, United Kingdom, and European); 100 to 240 VAC, 50 to 60 Hz input, 9 VDC output |

CERTIFICATIONS/RATINGS

- CE, Class A
- FCC, Class A
- UL/cUL Listed
- C-Tick
- Designed to meet NEMA TS 1/TS 2 and Caltrans traffic signal control equipment environmental standards

 VALUES IN PARENTHESES ARE INCHES; ALL OTHERS ARE CENTIMETERS.



▲ WARNING: Cancer and Reproductive Harm - www.P65Warnings.ca.gov
▲ ADVERTENCIA: Cancer y Daño Reproductivo - www.P65Warnings.ca.gov
▲ AVERTISSEMENT: Cancer et Troubles de l'appareil reproducteur - www.P65Warnings.ca.gov

Pelco, the Pelco logo, and other trademarks associated with Pelco products referred to in this publication are trademarks of Pelco, Inc. or its affiliates. ONVIF and the ONVIF logo are trademarks of ONVIF Inc. All other product names and services are the property of their respective companies. Product specifications and availability are subject to change without notice. ©Copyright 2012, Pelco, Inc. All rights reserved.

Pelco, Inc.

625 W. Alluvial Ave., Fresno, CA 93711 United States

USA & Canada Tel (800) 289-9100 Fax (800) 289-9150

International Tel +1 (559) 292-1981 Fax +1 (559) 348-1120

www.pelco.com