



# Evolution 12

## 360° Indoor Camera

The next step in 360° total situational awareness

### 12 MP high-resolution sensor

- Constant 360° surveillance with no blind spots
- No moving parts, no maintenance and silent operation
- High quality images in low-light conditions
- 12 fps at 9.6 MP max resolution and up to 30 fps at 2.0 MP
- 0.1 lux minimum illumination
- PoE or 12 VDC powered
- 3-years warranty

### Advanced features

- Local 3D dewarping providing 4x VCams at 1 MP max each
- Local SD card slot for event recording
- Configurable privacy regions
- Polygonal video motion detection regions
- Local alarm digital input and output
- Audio microphone input

### Multiple interior mount options

- Quick and easy installation
- Clean and simple design
- Convenient surface-mounting enclosure
- Range of accessories provide multiple mounting possibilities including ceiling, wall and pendant
- Enclosure available in black and white



EVO-12NJD - Black  
EVO-12NID - White

### Extensive VMS/NVR platform integration with Oncam SDK

- Market leading Oncam Grandeye 3D dewarping software
- Full live and retrospective dewarping available
- Camera features are accessible through VMS platforms
- Simultaneous multiple video streams
- 10x digital zoom capability through client-side dewarping
- H.264 / MJPEG streaming with multiple quality levels
- Optimizes bandwidth and storage utilization
- Intuitive web-based interface for viewing and configuration
- Supported by major VMS / NVR systems including VideoXpert (version 1.6 or later) and Digital Sentry (version 7.8.90 or later)
- ONVIF profile S conformant



International Standards  
Organization Registered Firm;  
ISO 9001 Quality System



# TECHNICAL SPECIFICATION

Model	EVO-12-NID (White)	EVO-12-NJD (Black)
<b>General</b>		
Lens Field of View	180° Horizontal, 180° Vertical	
Image Sensor	4072 H x 3046 V, 12.4 MP (approximately), 1/2.3 in. Sony CMOS Sensor	
Lens	185° / F2.0	
Minimum Illumination	0.1 lux = 50 IRE F/2.0	
Frame Rate	12 fps typical at maximum resolution	
Video Motion Detection	8 configurable regions	
External Input	1x contact input	
External Output	1x contact output	
Security	Configurable password protection	
Advanced Event Management	Triggered by motion, external input or HTTP event, result configurable, external output, FTP/SMTP upload, Local recording	
Networking	TCP/IP, HTTP, DHCP, DNS, NTP, FTP, SMTP and RSTP	
Privacy	10 configurable privacy regions	
SD Card	Built-in SD card slot. Supports cards up to 128 GB capacity. Speed class 10 or higher required.	
Audio Connections	Audio In through 3.5 mm jack, RTSP using G711 codec and ONVIF S	
Analog Video Out	Test port for production, not available in normal operation	
White Balance Range	Auto White Balance (Range = approx. 2500 K ~ 8000 K)	

<b>Video</b>		
Video Stream 1 Codec	H.264 in 9.6 MP, 6 MP, 4 MP	
Video Stream 1 Compression Level	Multi-levels of compression and frame rate adjustment (14 fps max)	
Video Stream 1 Pixel Resolution	Fisheyes at: 4 MP (2080 x 1960), 6 MP (2528 x 2376), 9.6 MP (3200 x 3000)	
Video Stream 2 Codec	H.264 in 4 MP, 2 MP, 1 MP and ¼ MP	
Video Stream 2 Compression Level	Multi-levels of compression and frame rate adjustment (14 fps max)	
Video Stream 2 Pixel Resolution	Fisheyes at: ¼ MP (544 x 512), 1 MP (1056 x 992), 2 MP (1472 x 1384), 4 MP (2080 x 1960)	
Video Stream 3 Codec	MJPEG in 4 MP, 2 MP, 1 MP and 1/4 MP	
Video Stream 3 Compression Level	Multi-levels of compression and frame rate adjustment (14 fps max)	
Video Stream 3 Pixel Resolution	Fisheyes at: ¼ MP (544 x 512), 1 MP (1056 x 992), 2 MP (1472 x 1384), 4 MP (2080 x 1960)	
Video Stream 4, 5, 6, 7 Codec	H.264 Only	
Video Stream 4, 5, 6, 7 Compression Level	Multi-levels of compression and frame rate adjustment (up to 30 fps)	
Video Stream 4, 5, 6, 7 Pixel Resolution	4x independent onboard dewarped VCams at 1/4 MP and 1 MP	
Image Control	Settings include brightness / contrast / saturation / exposure compensation, compression quality and wall / ceiling / table mount	
Image Enhancement	Electronic WDR 60 dB	
PTZ Functionality	10x zoom with Oncam 3D client-side dewarping software	
VMS / NVR Supported	Supported by major VMS / NVR systems including VideoXpert (version 1.6 or later) and Digital Sentry (version 7.8.90 or later)	
Web Browser Compatibility	Internet Explorer 9, Edge 25, Firefox 23 and Chrome 29 or above. Plug-in required for full functionality	
Unicast	Up to 20 simultaneous users depending on the resolutions settings	
Multicast	Supported for H.264 main camera stream	
Bit Rate Control	Options include Constant Bit Rate Control and Constant Quality Control	

# TECHNICAL SPECIFICATION

Electrical	
Ports	RJ45 for 1000Base-TX 2.1 mm DC Input jack 6-pin 1.5 mm Phoenix for external I/O BNC for test video output
Network Cable Type	CAT5 or better for 1000Base-TX
Power Input	12 VDC, 1.0 A (min) LPS or NEC Class 2 power supply or Power over Ethernet (PoE), IEEE standard 802.3af
Power Consumption (maximum)	8.4 W (PoE 48 VDC) / 7.32 W (DC 12 VDC)

Mechanical	
Camera Mount	Surface mount
Weight	0.72 kg (1.59 lbs)
Dimensions (L x W x H)	179 x 160 x 70 mm (7.1 x 6.3 x 2.8 in.)
Housing Material	Polymer

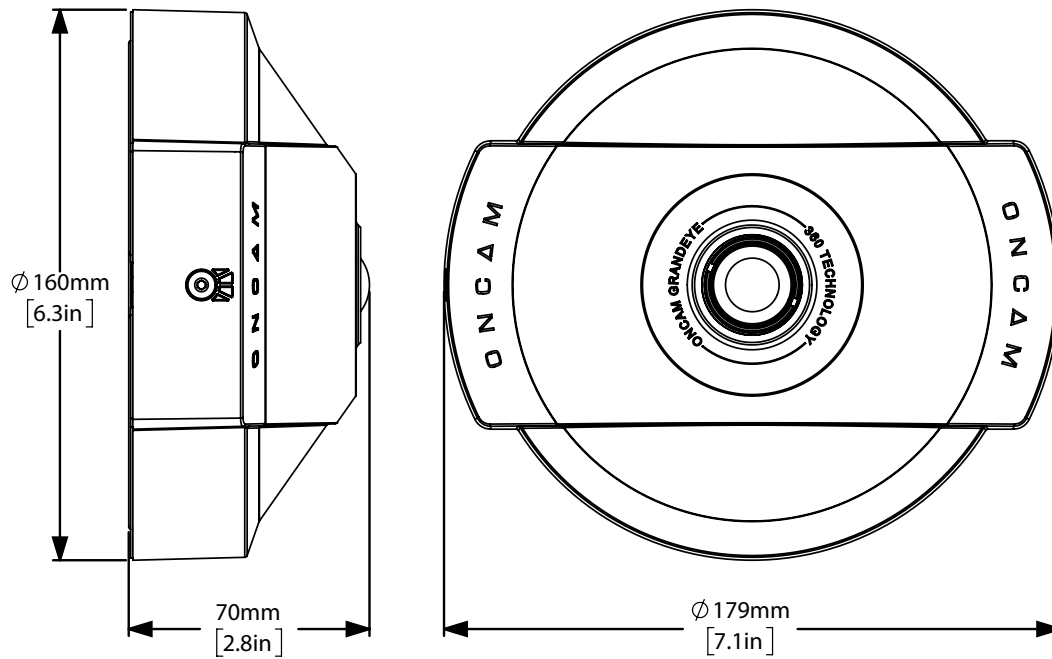
Environmental	
Operating Temperature Range	0 to +40° C (-32 to +104° F)
Operating Humidity	Up to 98% non-condensing
Ingress Protection	IP40

Certifications	
Approvals	IEEE802.3af, CE, AS/NZS CISPR 22:2009+A1:2010, CISPR 24:2010 (Class A), FCC, ICES-003, KCC, CU, RCM, SASO UL 60950-1(ed.2) & CAN/CSA C22.2No. 60950-1-07, RoHS, REACH

Accessories		
	Part Number	Description
	OBE-01-IWA (White) OBE-01-IBA (Black)	Indoor Pendant Mount
	OBE-03-OWA (White) OBE-03-OBA (Black)	Pole Mount Bracket (Use with Pendant Mount)
	OBE-04-OWA (White) OBE-04-OBA (Black)	Wall Mount Bracket (Use with Pendant Mount)
	OBE-05-OWA (White) OBE-05-OBA (Black)	Corner Mount Bracket (Use with Pendant Mount)

# TECHNICAL SPECIFICATION

## Dimensions



©Copyright 2014 - 2017 Onecam Global Group AG. All rights reserved.

Onecam Grandeye is the trade name of Onecam Global Group AG. Specifications and configurations subject to change without notice.