



Evolution 12

360° Indoor Concealed Camera

The next step in 360° total situational awareness

12 MP high-resolution sensor

- Constant 360° surveillance with no blind spots
- No moving parts, no maintenance and silent operation
- High quality images in low-light conditions
- 12 fps at 9.6 MP max resolution and up to 30 fps at 2.0 MP
- 0.1 lux minimum illumination
- PoE or 12 VDC powered
- 3-years warranty

Advanced features

- Local 3D dewarping providing 4x VCams at 1 MP max each
- Local SD card slot for event recording
- Configurable privacy regions
- Polygonal video motion detection regions
- Local alarm digital input and output
- Audio microphone input

A truly discreet installation

- Simple and fast installation
- Light weight enclosure, conceals behind ceiling or wall voids
- Spray-paint to match your environment
- Fits up to 25 mm (1 in.) ceiling / wall thickness



EVO-12NCD

Black and White
Bezel Included

Extensive VMS/NVR platform integration with Oncam SDK

- Market leading Oncam Grandeye 3D dewarping software
- Full live and retrospective dewarping available
- Camera features are accessible through VMS platforms
- Simultaneous multiple video streams
- 10x digital zoom capability through client-side dewarping
- H.264 / MJPEG streaming with multiple quality levels
- Optimizes bandwidth and storage utilization
- Intuitive web-based interface for viewing and configuration
- Supported by major VMS / NVR systems including VideoXpert (version 1.6 or later) and Digital Sentry (version 7.8.90 or later)
- ONVIF profile S conformant



International Standards
Organization Registered Firm;
ISO 9001 Quality System



TECHNICAL SPECIFICATION

Model	EVO-12NCD
General	
Lens Field of View	180° Horizontal, 180° Vertical
Image Sensor	4072 H x 3046 V, 12.4 MP (approximately), 1/2.3 in. Sony CMOS Sensor
Lens	185° / F2.0
Minimum Illumination	0.1 lux = 50 IRE F/2.0
Frame Rate	12 fps typical at maximum resolution
Video Motion Detection	8 configurable regions
External Input	1x contact input
External Output	1x contact output
Security	Configurable password protection
Advanced Event Management	Triggered by motion, external input or HTTP event, result configurable, external output, FTP/SMTP upload, Local recording
Networking	TCP/IP, HTTP, DHCP, DNS, NTP, FTP, SMTP and RSTP
Privacy	10 configurable privacy regions
SD Card	Built-in SD card slot. Supports cards up to 128 GB capacity. Speed class 10 or higher required.
Audio Connections	Audio In through 3.5 mm jack, RTSP using G711 codec and ONVIF S
Analog Video Out	Test port for production, not available in normal operation
White Balance Range	Auto White Balance (Range = approx. 2500 K ~ 8000 K)

Video	
Video Stream 1 Codec	H.264 in 9.6 MP, 6 MP, 4 MP, 2 MP
Video Stream 1 Compression Level	Multi-levels of compression and frame rate adjustment
Video Stream 1 Pixel Resolution	Fisheyes at: 9.6 MP (3200 x 3000), 6 MP (2528 x 2376), 4 MP (2080 x 1960), 2 MP (1472 x 1384)
Video Stream 2 Codec	H.264 in 4 MP, 2 MP, 1 MP and ¼ MP
Video Stream 2 Compression Level	Multi-levels of compression and frame rate adjustment
Video Stream 2 Pixel Resolution	Fisheyes at: 4 MP (2080 x 1960), 2 MP (1472 x 1384), 1 MP (1056 x 992), ¼ MP (544 x 512)
Video Stream 3 Codec	MJPEG in 4 MP, 2 MP, 1 MP and ¼ MP
Video Stream 3 Compression Level	Multi-levels of compression and frame rate adjustment
Video Stream 3 Pixel Resolution	Fisheyes at: 2 MP (1472 x 1384), 1 MP (1056 x 992), ¼ MP (544 x 512)
* VCam Stream 4, 5, 6, 7 Codec	H.264
* VCam Stream 4, 5, 6, 7 Compression Level	Multi-levels of compression and frame rate adjustment
* VCam Stream 4, 5, 6, 7 Pixel Resolution	4x independent onboard dewarped VCams at 1 MP (1280 x 720), ¼ MP (640 x 480)
Maximum Frame Rate	30 fps
Image Control	Settings: brightness / contrast / saturation / exposure compensation, compression quality and wall / ceiling / table mount
Image Enhancement	Electronic WDR 60dB
PTZ Functionality	10x zoom with Oncam 3D client-side dewarping software
VMS / NVR Support	Contact Oncam Sales for the supported VMS / NVR list
Web Browser Compatibility	Internet Explorer 9, Edge 25, Firefox 23 and Chrome 29 or above. Plug-in required for full functionality
Unicast	Up to 20 simultaneous users depending on the resolution settings
Multicast	Supported for H.264 main camera stream
Bit Rate Control	Options include Constant Bit Rate Control and Constant Quality Control

* Video Stream 2 and VCams cannot be used simultaneously.

TECHNICAL SPECIFICATION

Electrical	
Ports	RJ45 for 1000Base-TX 2.1 mm DC Input jack 6-pin 1.5 mm Phoenix for external I/O BNC for test video output
Network Cable Type	CAT5 or better for 1000Base-TX
Power Input	12 VDC, 1.0 A (min) LPS or NEC Class 2 power supply or Power over Ethernet (PoE), IEEE standard 802.3af
Power Consumption (maximum)	8.4 W (PoE 48 VDC) / 7.32 W (DC 12 VDC)

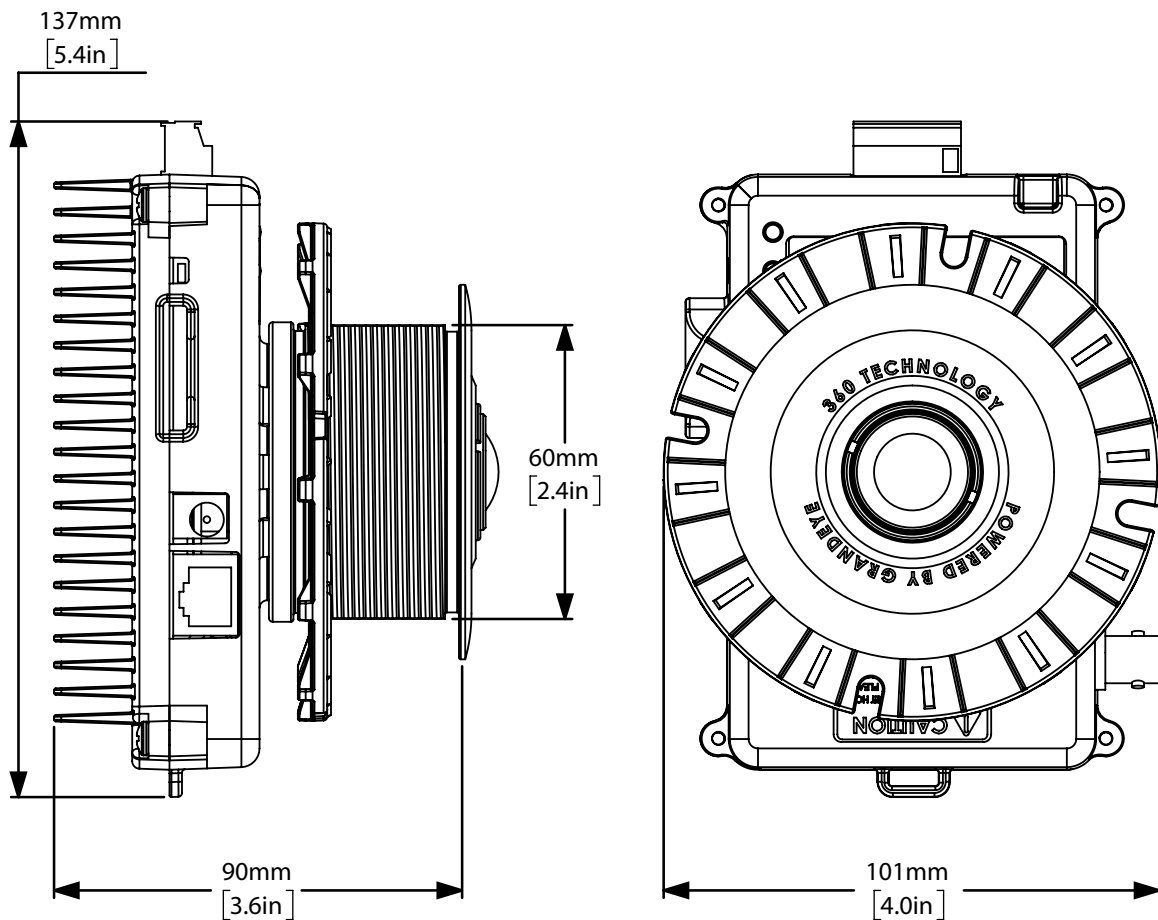
Mechanical	
Camera Mount	Indoor Concealed mount
Weight	0.53 kg (1.17 lbs)
Dimensions	Diameter cut out 60 mm (2.4 in.)
Housing Material	Polymer

Environmental	
Operating temperature range	0 to +40° C (-32 to +104° F)
Operating Humidity	Up to 98% non-condensing
Ingress Protection	IP20

Certifications	
Approvals	IEEE802.3af, CE, AS/NZS CISPR 22:2009+A1:2010, CISPR 24:2010 (Class A), FCC, ICES-003, KCC, CU, RCM, SASO UL 60950-1(ed.2) & CAN/CSA C22.2No. 60950-1-07, RoHS, REACH

TECHNICAL SPECIFICATION

Dimensions



▲ **WARNING:** Cancer and Reproductive Harm - www.P65Warnings.ca.gov.
▲ **ADVERTENCIA:** Cáncer y Daño Reproductivo - www.P65Warnings.ca.gov.
▲ **AVERTISSEMENT:** Cancer et Troubles de l'appareil reproducteur - www.P65Warnings.ca.gov.

©2016, 2017 Oncam Global Group AG. All rights reserved.

Oncam Grandeye is the trade name of Oncam Global Group AG. Specifications and configurations subject to change without notice.