

# Evolution 05 Mini

## 360° Outdoor Camera

The next step in 360° total situational awareness

### 5 MP sensor and no moving parts

- Constant 360° surveillance with no blind spots
- No moving parts, no maintenance and silent operation
- Up to 30 fps video stream at 1 MP and ¼ MP
- 0.2 lux minimum illumination and electronic WDR
- PoE powered
- 3-years warranty

### Advanced features

- microSD card slot for local event recording
- Configurable privacy regions
- Polygonal Video Motion Detection regions

### Miniature in size and outdoor ready

- Simple and easy installation
- IP66 rated enclosure for weather protection
- IK10+ rating for vandalism protection
- EN50155 / EN45545 transport certification
- RJ45 connection available
- Range of accessories provide multiple mounting possibilities including ceiling, wall, pendant and pole
- Enclosure available in Black and White

ONVIF | S



RJ45



EVO-05-LND - Black  
EVO-05-LMD - White

### Extensive VMS/NVR platform integration with Oncam SDK

- Market leading Oncam 3D dewarping software
- Full Live and retrospective dewarping available
- Camera features are accessible through VMS platforms
- Simultaneous multiple video streams
- 10x digital zoom capability through client-side dewarping
- H.264 / MJPEG streaming with multiple quality levels
- Optimizes bandwidth and storage utilization
- Intuitive web-based interface for viewing and configuration
- Supported by major VMS / NVR systems  
VideoXpert (version 1.6 or later) and  
Digital Sentry (version 7.8.90 or later)
- ONVIF profile S conformant

# TECHNICAL SPECIFICATION

|                                  |   |
|----------------------------------|---|
| <b>Model</b>                     | EVO-05LMD (White)<br>EVO-05LND (Black)  |
| <b>Connector</b>                 | RJ45  |
| <b>General</b>                   |   |
| Lens Field of View               | 180° Horizontal, 168° Vertical  |
| Image Sensor                     | 2592 H x 1944 V, 5 MP,<br>1/2.5-inch Sony CMOS Sensor   |
| Lens                             | 185° / F2.0   |
| Minimum Illumination             | 0.2 lux = 50 IRE F/2.0 (6500 K)   |
| Frame Rate                       | 30 fps for 1 MP and ¼ MP resolution<br>15 fps for 2 MP resolution<br>10 fps for 4 MP full resolution                          |
| Video Motion Detection           | 8 configurable regions  |
| Security                         | Configurable password protection  |
| Advanced Event Management        | Triggered by motion, HTTP event, result configurable,<br>FTP/SFTP upload and local recording                                  |
| Networking                       | TCP/IP, HTTP, DHCP, DNS, NTP, FTP, SMTP, RTSP and uPNP  |
| Privacy Regions                  | 10 configurable privacy regions   |
| microSD Card                     | Built-in microSD card slot. Supports cards up to 128 GB capacity. Speed class 10 or higher required                           |
| White Balance Range              | Auto White Balance (Range = approximately 2500 K–8000 K)  |
| <b>Video</b>                     |   |
| Video Stream 1 Codec             | H.264 High, Level 5 / MJPEG (streams configurable)  |
| Video Stream 1 Compression Level | Multi-levels of compression and frame rate adjustment   |
| Video Stream 1 Pixel Resolution  | Fisheyes at: 4 MP (2144 x 1944), 2 MP (1488 x 1360),<br>1 MP (1056 x 960), ¼ MP (528 x 480)                                   |
| Video Stream 2 Codec             | H.264 High, Level 5 / MJPEG (streams configurable)  |
| Video Stream 2 Compression Level | Multi-levels of compression and frame rate adjustment   |
| Video Stream 2 Pixel Resolution  | Fisheyes at: 4 MP (2144 x 1944), 2 MP (1488 x 1360),<br>1 MP (1056 x 960), ¼ MP (528 x 480)                                   |
| Video Stream 3 Codec             | MJPEG   |
| Video Stream 3 Compression Level | Multi-levels of compression and frame rate adjustment   |
| Video Stream 3 Pixel Resolution  | Fisheye at: ¼ MP (528 x 480)  |
| Maximum Frame Rate               | 30 fps  |
| Image Control                    | Settings: brightness / contrast / saturation / exposure compensation,<br>compression quality and wall / ceiling / table mount |
| Image Enhancement                | Electronic WDR 60dB   |
| PTZ Functionality                | 10x zoom with Oncam 3D client-side dewarping software   |
| VMS / NVR Support                | Contact Pelco Sales for the supported VMS / NVR list  |
| Web Browser Compatibility        | Internet Explorer 9, Edge 25, Firefox 23 and Chrome 29 or above. Plug-in required for full functionality                      |
| Unicast                          | Up to 20 simultaneous users depending on the resolution settings  |
| Multicast                        | Supported for H.264 main camera stream  |
| Bit Rate Control                 | Options include Variable Bit Rate Controls, Constant Bit Rate Control and Constant Quality Control                            |
| <b>Electrical</b>                |   |
| Connection                       | Flying lead - RJ45 plug   |
| Network Cable Type               | CAT5 or better for 100Base-TX   |
| Power Input                      | Power over Ethernet (PoE), IEEE standard 802.3af  |
| Power Consumption (maximum)      | 4.13 W  |

# TECHNICAL SPECIFICATION

## Mechanical

|                               |                              |
|-------------------------------|------------------------------|
| Camera Mount                  | Surface mount                |
| Weight                        | 0.32 kg (0.70 lbs)           |
| Dimensions (Diameter x Depth) | 119 x 67 mm (4.7 x 2.6 in.)  |
| Housing Material              | Aluminum with polymer bubble |



## Environmental

|                             |                                |
|-----------------------------|--------------------------------|
| Operating Temperature Range | -40 to +55° C (-40 to +131° F) |
| Operating Humidity          | Up to 98% non-condensing       |
| Ingress Protection          | IP66                           |
| Impact Resistance           | IK10+                          |

## Certifications

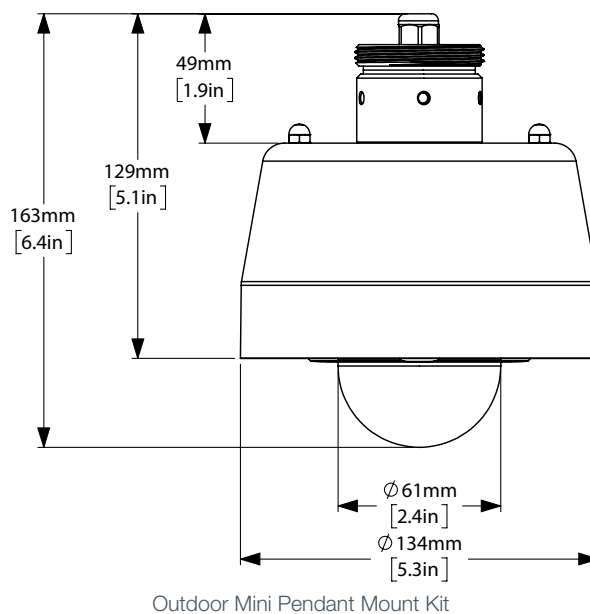
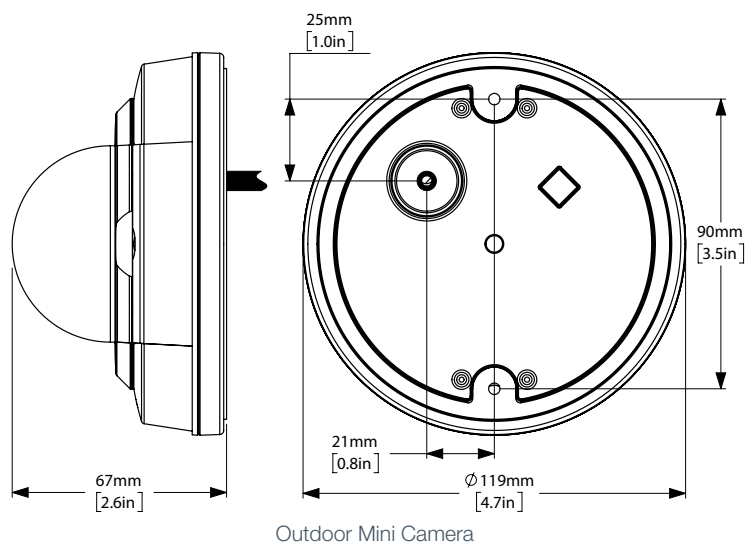
|           |  |
|-----------|--|
| Approvals | IIEEE802.3af, CE, AS/NZS CISPR 22:2009+A1:2010, CISPR 24:2010 (Class A), FCC, ICES-003, KCC, CU, RCM, SASO, EN50155/EN45545<br>UL 60950-1(ed.2) & CAN/CSA C22.2 No. 60950-1-07, RoHS, REACH, IP66, IK10+ |
|-----------|--|

## Accessories

|   | Part Number        | Description  |
|---|--------------------|--|
|   | OBE-16-OWA (White) | M20 conduit back box   |
|   | OBE-16-OBA (Black) | Fitted for the camera back and provides three entry points for easy cabling through M20 size conduits. Coil excess cable within back box.  |
|  | EVO-05-LWK (White) | Outdoor Pendant Camera Kit   |
|   | EVO-05-LBK (Black) | The Outdoor Pendant Camera Kit is available in black or white and has a 1.5-inch NPS Male or M32 Female thread for connection to compatible brackets.<br><br>The kit contains the following items: <ul style="list-style-type: none"> <li>EVO-05 Mini Outdoor Camera (RJ45 option)</li> <li>Pre-assembled Pendant Mount Assembly (Sunshield, Back Box and thread adapter)</li> </ul> |

# TECHNICAL SPECIFICATION

## Dimensions



▲ **WARNING:** Cancer and Reproductive Harm - [www.P65Warnings.ca.gov](http://www.P65Warnings.ca.gov).  
▲ **ADVERTENCIA:** Cáncer y Daño Reproductivo - [www.P65Warnings.ca.gov](http://www.P65Warnings.ca.gov).  
▲ **AVERTISSEMENT:** Cancer et Troubles de l'appareil reproducteur - [www.P65Warnings.ca.gov](http://www.P65Warnings.ca.gov).

©Copyright 2014 - 2017 Oncam Global Group AG. All rights reserved.

Oncam Grandeye is the trade name of Oncam Global Group AG. Specifications and configurations subject to change without notice.