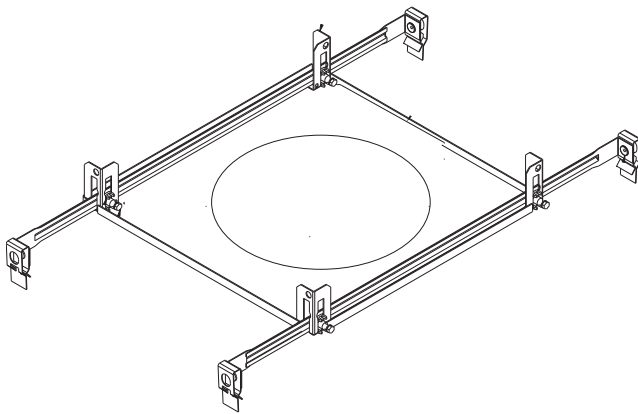


VGA-IC-SP In-ceiling Support Kit

www.boschsecurity.com

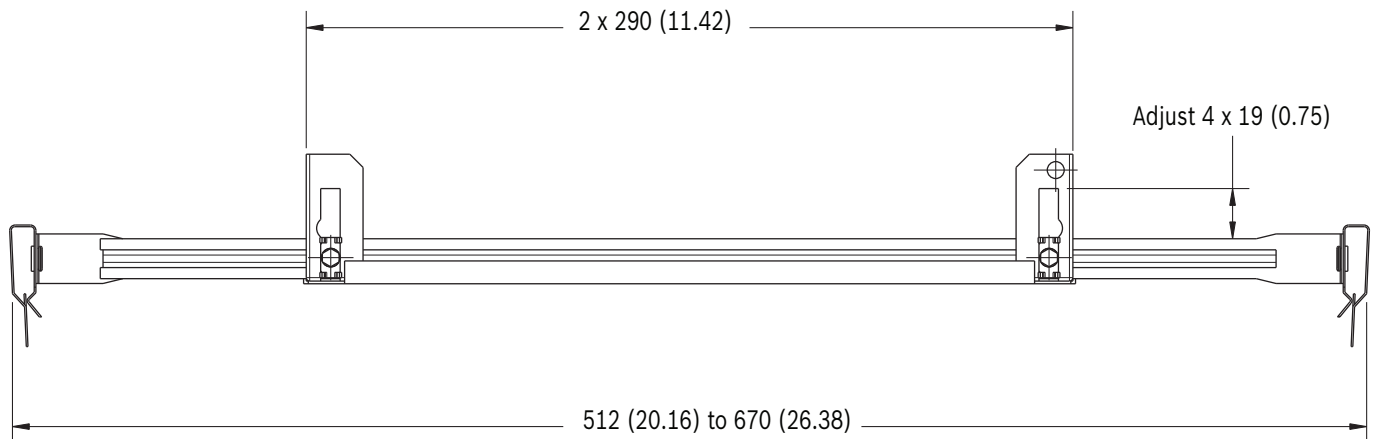


BOSCH
Invented for life



- ▶ Easy installation
- ▶ Sturdy construction

Installation/configuration notes



Parts included

The packaging contains:

	Item
1x	Mount
	Attachment components

Technical specifications

Aperture	Ø177 mm (Ø7 in)
Maximum supported weight	11.3 kg (25 lb)
Finish	Zinc plate

Ordering information

VGA-IC-SP In-ceiling Support Kit

Suspended ceiling support kit for dome cameras.

Aperture Ø177 mm (Ø7 in); maximum supported

weight 11.3 kg (25 lb)

Order number **VGA-IC-SP**

Represented by:

Americas:

Bosch Security Systems, Inc.
130 Perinton Parkway
Fairport, New York, 14450, USA
Phone: +1 800 289 0096
Fax: +1 585 223 9180
security.sales@us.bosch.com
www.boschsecurity.us

Europe, Middle East, Africa:

Bosch Security Systems B.V.
P.O. Box 80002
5617 BA Eindhoven, The Netherlands
Phone: + 31 40 2577 284
Fax: +31 40 2577 330
emea.securitysystems@bosch.com
www.boschsecurity.com

Asia-Pacific:

Robert Bosch (SEA) Pte Ltd, Security
Systems
11 Bishan Street 21
Singapore 573943
Phone: +65 6571 2808
Fax: +65 6571 2699
apr.securitysystems@bosch.com
www.boschsecurity.asia

China:

Bosch (Shanghai) Security Systems Ltd.
203 Building, No. 333 Fuquan Road
North IBP
Changning District, Shanghai
200335 China
Phone +86 21 22181111
Fax: +86 21 22182398
www.boschsecurity.com.cn

America Latina:

Robert Bosch Ltda Security Systems Division
Via Anhanguera, Km 98
CEP 13065-900
Campinas, Sao Paulo, Brazil
Phone: +55 19 2103 2860
Fax: +55 19 2103 2862
latam.boschsecurity@bosch.com
www.boschsecurity.com