

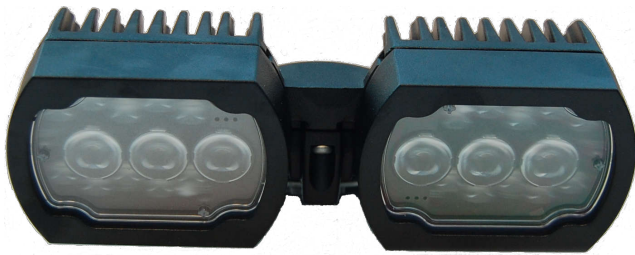
MIC7000 Illuminator

www.boschsecurity.com



BOSCH

Invented for life



- ▶ Combination infrared and /White light LED-based illuminator
- ▶ Enables Detection of moving objects up to 300 m (984 ft) using IR illumination (with MIC-7230 starlight models)
- ▶ Activate/deactivate automatically, manually, and by preset
- ▶ Field-installable on MIC7000 camera in upright, inverted, or canted orientation
- ▶ Rugged IP68 / NEMA 6P ingress rated housing design matches colors of MIC7000 cameras

The MIC7000 illuminator accessory consists of a dual-pod housing incorporating a combination of long-life Infrared (IR) and White light LEDs. This accessory illuminates the scene to allow viewing of objects even in total darkness, ensuring high quality images regardless of the lighting conditions. MIC-7230 starlight models enable Detection of moving objects up to 300 m (984 ft) using IR illumination.

Functions

As ambient light decreases in the scene, the camera switches to monochrome mode and automatically activates the IR LEDs of the illuminator. Operators can turn the White light LEDs on and off as necessary, especially to use as a deterrent effect. Beam intensity is controlled automatically or manually, depending on user preference. Decreasing intensity reduces overexposure. A patented Constant Light technology feature compensates for LED aging effects over the life of the product. The MIC illuminator's IK10, vandal-resistant design integrates tough, polycarbonate windows attached to a corrosion-resistant aluminum body finished with a durable powder coat paint. The illuminator is

exceptionally resistant to relatively high levels of wind, vibration, and shock. The combination of the camera and attached illuminator accessory continue to meet MIC's traditional IP68 / Type 6P dust and immersion tests.

Operators have the option to set automatic timeout of the White light mode. After this mode times out, the illuminator will operate in IR mode. When IR illuminators are active, the IR focus correction feature of the camera block is enabled automatically. Likewise, when White light illuminators are active, appropriate changes to white balance feature of camera block are implemented.

Operators can disable the White light functionality permanently or by sector in order to prevent activation in situations where White light might create a hazardous situation such as blinding a driver on a highway.

The MIC7000 illuminator accessory is easily installed in the field on a MIC7000 camera that is mounted in upright, inverted, or canted orientation. The camera provides power to the illuminator; no additional power source is required.

For aesthetics, the colors of the illuminator housing match those of the MIC7000 camera models (black, white, grey).

Certifications and approvals

Safety	UL, CE (including EU eco-directive 2009/125/EC, and harmonized norm based on EU regulation 1194/2012)
Illumination safety	Meets Risk Group 1 exposure limits based on IEC 62471
Ingress Protection	IP68 NEMA 6P (when attached to camera)
IK Code	IK10

Technical specifications

IR Array

Number of LEDs	20
Wavelength	850 nm
Vertical Beam Angle	15° FWHM
Horizontal Beam Angle	30° FWHM

White Light Array

Number of LED Quads	6
Color Temperature	6700K
Vertical Beam Angle	13° FWHM
Horizontal Beam Angle	25° FWHM

Performance Range (based on DCRI criteria)

MIC-7130 models, IR light	Detection: 175 m (575 ft) Classification: 150 m (492 ft) Recognition: 100 m (330 ft) Identification: 60 m (200 ft)
MIC-7130 models, White light	Classification: >125 m (410 ft)
MIC-7230 starlight models, IR light	Detection: 300 m (984 ft) Classification: 250 m (820 ft) Recognition: 200 m (656 ft) Identification: 75 m (246 ft)
MIC-7230 starlight models, White light	Classification: >150 m (492 ft)
MIC-7230 dynamic models, IR light	Detection: 150 m (492 ft) Classification: 100 m (330 ft) Recognition: 60 m (200 ft) Identification : 50 m (165 ft)
MIC-7230 dynamic models, White light	Classification: >100 m (330 ft)

Electrical

Power Consumption	30 W (provided by the MIC7000 camera)
-------------------	---------------------------------------

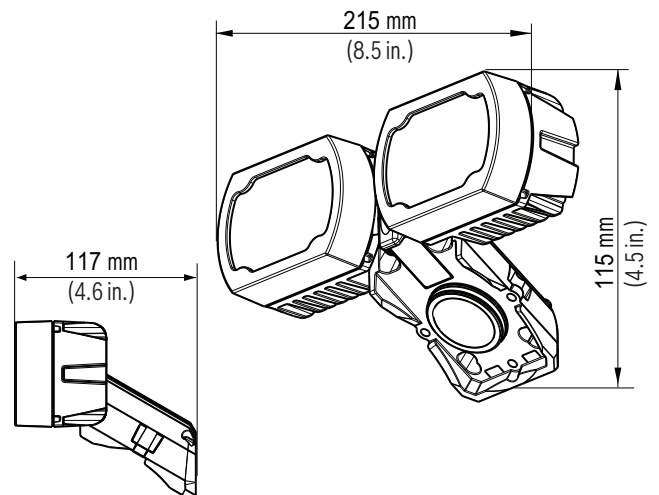
Environmental

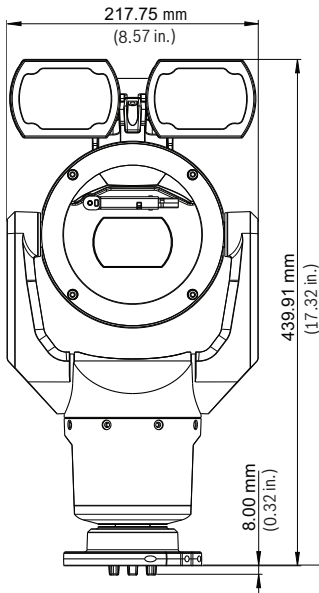
Operation Temperature	-40 °C to +60 °C (-40 °F to +140 °F)
Cold Start-up Temperature	-40 °C (-40 °F) (Requires 60-minute warm-up prior to operation.)
Storage Temperature	-60 °C to +70 °C (-76 °F to +158 °F)
Humidity	0-100%
Wind Load	209 km/h (130 mph) (sustained) (Gusts up to 290 km/h (180 mph)) Effective Projected Area (EPA): illuminator accessory installed on camera: 0.070 m ² (0.75 ft ²) illuminator accessory only: 0.018 m ² (0.19 ft ²)
Vibration	NEMA TS2 5m/s ² (0.5g)
Shock	IEC 60068-2-7, Test Ea: Shock, 20g

Construction

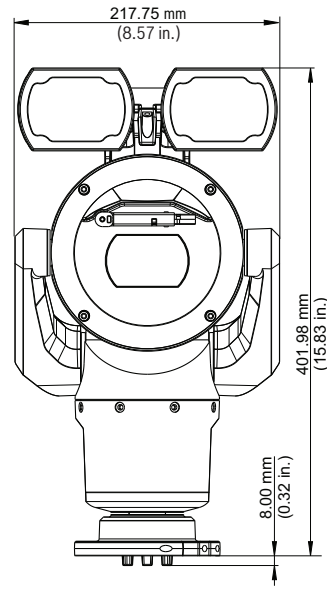
Dimensions (W x H x D)	215 mm x 115 mm x 117 mm (8.5 x 4.5 x 4.6 in.)
Weight	1.2 kg (2.7 lb)
Construction Material	Corrosion-resistant aluminum alloy with polycarbonate windows
Standard Colors	Black (RAL 9005), White (RAL 9010), or Grey (RAL 7001, available in specific regions only)
Finish	Pre-treated surface covered with powder coat paint, sand finish

Dimensional Drawings

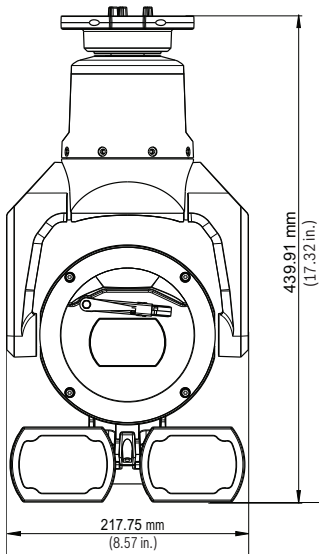




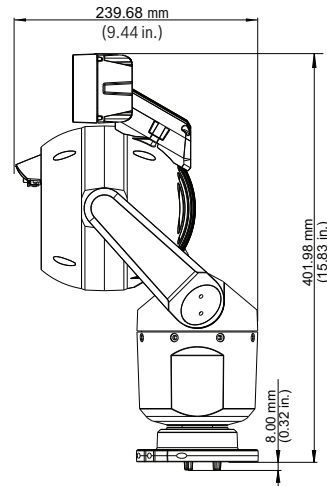
Front view, with illuminator - upright



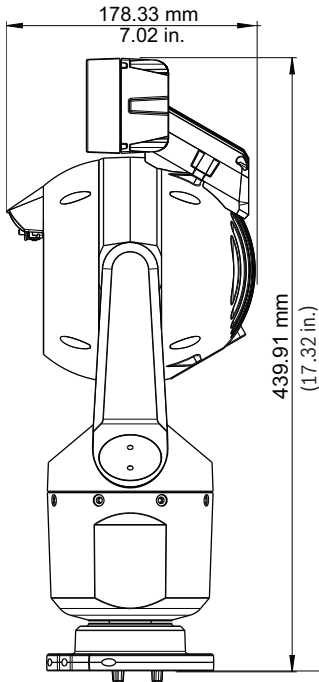
Front view, with illuminator - canted



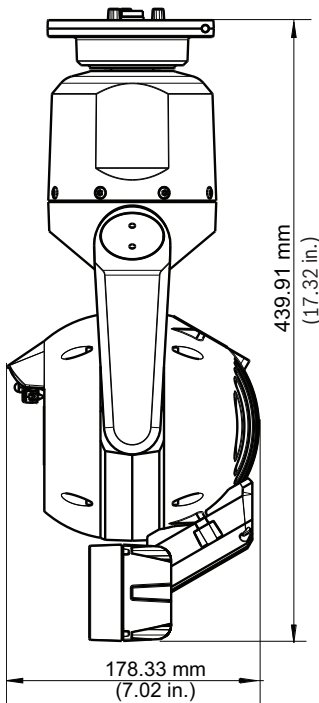
Front view, with illuminator - inverted



Side view, with illuminator - canted



Side view, with illuminator - upright



Side view, with illuminator - inverted

MIC-ILW-100 Illuminator, IR/White light combo, White
 Illuminator accessory for MIC7000 Series.
 Combination of IR (850 nm) + White light (6700K)
 LEDs.
 White (RAL 9010). Sand finish.
 Order number **MIC-ILW-100**

MIC-ILG-100 Illuminator, IR/White light combo, Grey
 Illuminator accessory for MIC7000 Series.
 Combination of IR (850 nm) + White light (6700K)
 LEDs.
 Grey (RAL 7001). Available in specific regions only.
 Sand finish.
 Order number **MIC-ILG-100**

Ordering information

MIC-ILB-100 Illuminator, IR/White light combo, Black
 Illuminator accessory for MIC7000 Series.
 Combination of IR (850 nm) + White light (6700K)
 LEDs.
 Black (RAL 9005). Sand finish.
 Order number **MIC-ILB-100**

Represented by:

Europe, Middle East, Africa:
Bosch Security Systems B.V.
P.O. Box 80002
5600 JB Eindhoven, The Netherlands
Phone: + 31 40 2577 284
emea.securitysystems@bosch.com
emea.boschsecurity.com

Germany:
Bosch Sicherheitssysteme GmbH
Robert-Bosch-Ring 5
85630 Grasbrunn
Germany
www.boschsecurity.com

North America:
Bosch Security Systems, Inc.
130 Perinton Parkway
Fairport, New York, 14450, USA
Phone: +1 800 289 0096
Fax: +1 585 223 9180
onlinehelp@us.bosch.com
www.boschsecurity.us

Asia-Pacific:
Robert Bosch (SEA) Pte Ltd, Security Systems
11 Bishan Street 21
Singapore 573943
Phone: +65 6571 2808
Fax: +65 6571 2699
apr.securitysystems@bosch.com
www.boschsecurity.asia