

REDWALL Laser Scan Detector
RLS-3060SH



The REDSCAN RLS-3060 is an innovative laser scan detector. That identifies a moving object's size, speed, and distance from the detector. It processes that information with a unique algorithm, resulting in a highly reliable detection system with minimal false alarms. The detector can also be mounted vertically or horizontally according to the application and site conditions.

With 4 dry-contact output connections and 8 outputs via an IP interface allowing for connections to remote video applications.

The REDSCAN RLS-3060SH is an advanced generation laser scan detector. It has both intelligent detection analysis functions and adjustable detection algorithm parameters that increase its range of applications. It provides flexible solutions that streamline video monitoring and will reduce installation costs.

FEATURES

- 30m radius for 190 degrees range
- Vertical and horizontal mounting
- Unique detection algorithm
- Form C master alarm output
- Automatic area setting function
- Environmental disqualification circuit
- Scene selection (Outdoor, Indoor, Indoor Ceiling/Wall protection and Vehicle)
- 4 independently adjustable detection areas and 4 linked outputs for PTZ camera control (on Analog connection)
- 8 independently adjustable detection area and Redwall event codes for Network Recorder and Video Management software (on IP connection)
- Anti-rotation function
- Anti-masking function
- Fog cancellation algorithm (Patent listed)
- Trouble output
- Tamper output
- Built-in heater
- Analog (Dry contact) & IP connection
- Environmental resistance function
- Non detection area adjustment
- Alarm duration function

OPTIONS

- RLS-AT Redscan adjustment tool kit
- (Including REDSCAN MANAGER Setup software and LAC-1 Laser area checker)
- RLS-PB Pole mount bracket
- RLS-SB Adjustable angle mounting bracket
- AWT-3 Audible walk tester

SPECIFICATIONS

Model	RLS-3060SH
Detection method	Infrared Laser Scan
Laser protection class	Class 1
Coverage	Vertical area
	Horizontal area
Detection resolution	0.25°
Communication port	Ethernet ,RJ-45 ,10BASE-T/100BASE-TX
Protocol	UDP, TCP/IP *Redwall Event Code
Power input	24 VDC 24 VAC
Current draw	400mA max. (24 VDC) 600mA max. (24 VAC)
Heater power input	24 VDC, 24 VAC
Heater current draw	400mA max. (24 V DC/AC)
Mounting height	Vertical area
	Horizontal area
Target object selector	S / M / L
Sensitivity selector	H / M / L
Camera control output	N.O. 28 VDC, 0.2 A x 4 outputs
Master alarm output	Form C, 28 VDC, 0.2 A max.
Trouble output	Form C, 28 VDC, 0.2 A max.
Tamper output	N.C. 28 VDC, 0.1 A max.
Environmental disqualification circuit	Form C, 28 VDC, 0.2 A max.
Alarm period	Approx. 2 sec., Off delay timer
Operating temperature	-20 to 60 °C (-4 to 140° F)
Operating temperature with heater	-40 to 60 °C (-40 to 140° F)
IP rating	IP66
Dimensions (H x W x D)	334 x 144 x 155 mm (13.2 x 5.7 x 6.1 in.)
Weight	2.5kg (88 oz.)

* Specifications and design are subject to change without prior notice.

REDWALL Laser Scan Detector
RLS-3060



The REDSCAN RLS-3060 is an innovative laser scan detector. It can detect a moving object's size, speed, and distance from the detector and process that information with a unique algorithm, which results in high-reliability detection of people with minimal false alarms. The detector can also be mounted vertically or horizontally according to the application and site conditions.

When vertical detection area is selected, the RLS-3060 creates a 60 m (200 ft.) detection area that functions like an invisible wall. With four outputs for remote video applications and four fully programmable detection areas linked with these outputs, the RLS-3060 is the ideal detector for controlling PTZ cameras.

When horizontal detection area is selected, the RLS-3060 creates a detection area with a radius of 30 m (100 ft.) and an arc of 190°. The detection area can be set manually or automatically. If the automatic setting is used, the detector will set the proper detection area even for complicated area shapes.

REDSCAN is a sophisticated next-generation outdoor detector that streamlines video monitoring and reduces installation costs.

FEATURES

- IP Connection
- 30m radius for 190 degrees
- Vertical and horizontal mounting
- Unique detection algorithm
- Four independently adjustable detection areas for PTZ camera control
- Four independent N.O. outputs
- Form C master alarm output
- Easy installation
- Automatic area setting function
- Environmental disqualification circuit
- Anti-rotation function
- Anti-masking function
- Fog cancellation algorithm (Patent pending)
- Trouble output
- Tamper output

OPTIONS

- REDSCAN MANAGER Setup Software
- RLS-PB Pole mount bracket
- RLS-SB Adjustable angle mounting bracket
- LAC-1 Laser Area Checker
- OPM-WT Audio Walk Tester

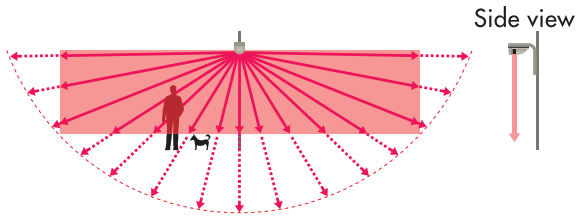
SPECIFICATIONS

Model	RLS-3060	
Detection method	Infrared Laser Scan	
Laser protection class	Class 1	
Coverage	Vertical area	Max. 60 m (Approx. 200 ft.) at 10% reflectivity
	Horizontal area	Radius: 30m (Approx. 100 ft.), Arc: 190° at 10% reflectivity
Detection resolution	0.25°	
Communication port	Ethernet ,RJ-45 ,10BASE-T/100BASE-TX	
Protocol	UDP *Generic Event Code	
Power input	24 VDC 24 VAC	
Current draw	400mA max. (24VDC) 600mA max. (24VAC)	
Mounting height	Vertical area	15m (50ft.) max.
	Horizontal area	0.7m (28in.) (recommended)
Target object size selector	S / M / L	
Sensitivity selector	H / M / L	
Camera control output	N.O. 28 VDC, 0.2 A x 4 outputs	
Master alarm output	Form C, 28 VDC, 0.2 A max.	
Trouble output	Form C, 28 VDC, 0.2 A max.	
Tamper output	N.C. 28 VDC, 0.2 A max.	
Environmental disqualification circuit	Form C, 28 VDC, 0.2 A max.	
Alarm period	Approx. 2 sec., Off delay timer	
Operating temperature	-20 to +60°C (-4 to +140°F)	
IP rating	IP66	
Dimensions (H x W x D)	334 x 144 x 155 mm (13.2 x 5.7 x 6.1 in.)	
Weight	4kg (141 oz.)	

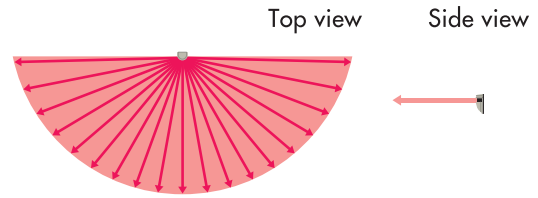
* Specifications and design are subject to change without prior notice.

DETECTION AREAS

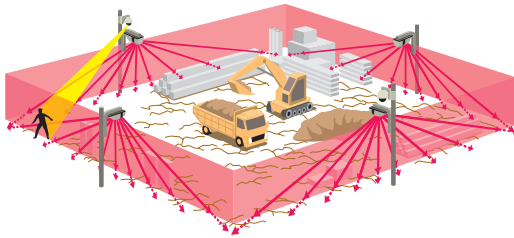
■ Image of vertical detection area



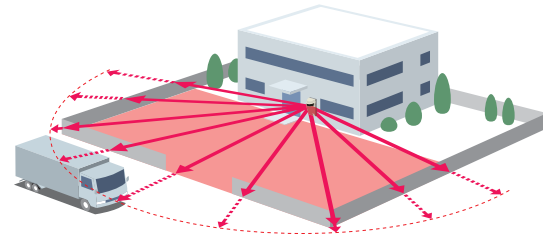
■ Image of horizontal detection area



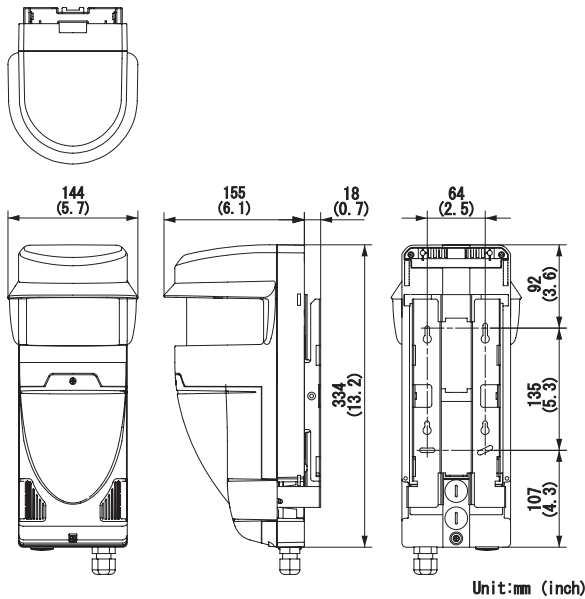
■ Vertical detection area example



■ Horizontal detection area example

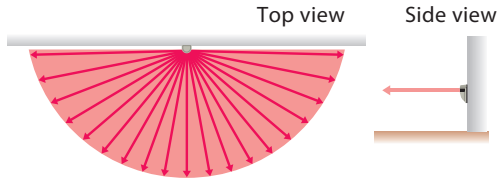


DIMENSIONS

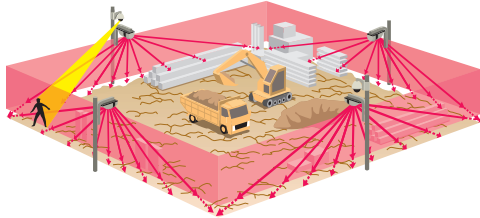


DETECTION AREAS

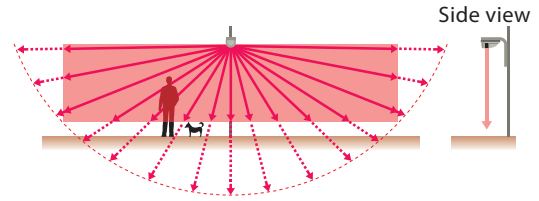
■ Image of horizontal detection area



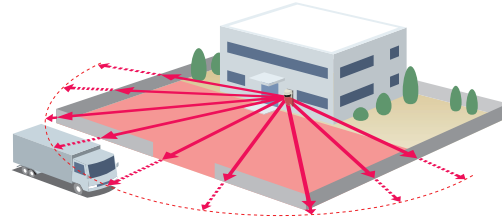
■ Vertical detection area example



■ Image of horizontal detection area

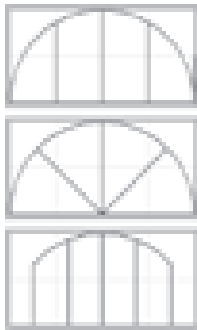


■ Horizontal detection area example

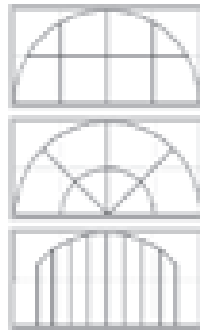


DETECTION AREA PATTERN

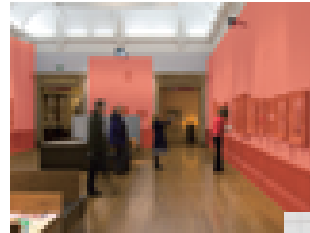
4 zones



8 zones



SCENE SELECTION

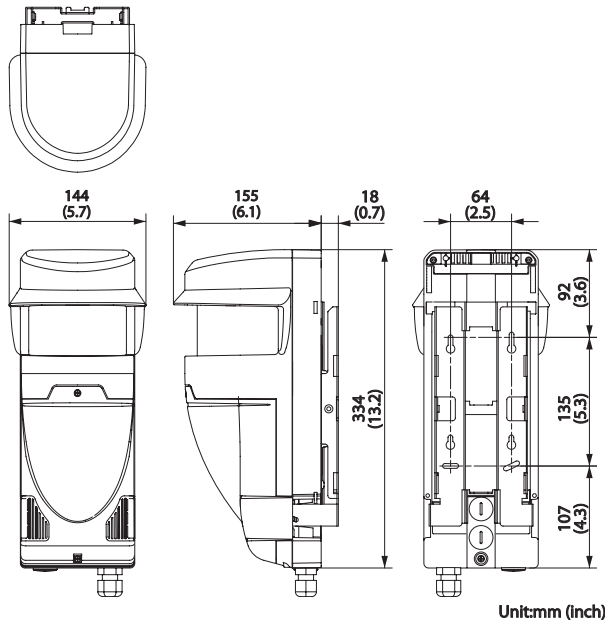


Indoor, human hand detection

Vehicle detection



DIMENSIONS



REDFSCAN MANAGER

(Optional software, but needed to set-up)

