

# iVISION+



## ADVANCED **WIRELESS** INTERCOM SYSTEM WITH VIDEO



Accepts Multiple Stations



Battery Powered



Door Release Capability



Optional Gateway



Micro USB



Increased Storage Capacity



[www.facebook.com/optexamerica](http://www.facebook.com/optexamerica)



[www.twitter.com/optexamerica](http://www.twitter.com/optexamerica)

# Protection for



## iVISION+

### Advanced **WIRELESS** Intercom System With Video

The new iVision+ gives you the ability to not only know when somebody is outside your door, but to view and talk to them from the safety and comfort of any location inside your home or business. The iVision+ wireless intercom package includes a convenient wireless handheld unit with LCD monitor and a wireless doorbell/camera unit with up to 330ft. transmission range. With the new iVision+, OPTeX has taken the extremely popular iVision model and expanded it, now allowing for multiple handheld units, multiple doorbell/camera units, and the ability to remotely release electronic door locks through a gateway/chime unit. The iVision+ also integrates with OPTeX Wireless 2000 (RCTD-20U) devices, allowing the camera on the door unit to open when those devices are triggered.



### No More Missed Visitors

The iVision+ allows you to know when guests arrive at your door, and speak with them, from the convenience of multiple locations on your property.

### No More Unwanted Guests

You never have to trust a peephole view or answer the door blindly again. In both residential and commercial applications, the iVision+ keeps you safe from unwanted guests.



# peace of mind.

## Easily Expandable

The iVision+ allows for multiple stations, making it a perfect fit to monitor up to two residential or commercial doors, from the comfort of up to four different locations.



## Battery Powered

Both the Door Unit and Handheld Unit are battery powered, allowing for up to 330ft. transmission range, line of sight. The Handheld Unit comes with a battery pack and charging cradle, while the door unit runs on 3 AA batteries. (Not included)

## Optional Gateway Unit

With the optional Gateway unit, the iVision+ integrates with the OPTEX RCTD-20U wireless driveway / entry alert system. When the sensor is triggered on the RCTD-20U, the Gateway allows the iVision+ Door Unit to take still images before the button is pressed.<sup>1</sup> When integrated with door locking hardware, the Gateway Unit will release the lock when 'Open Door' button is pressed on the iVision+ Handheld Unit.<sup>2</sup> (See below Illustration) Used alone with the iVision+, the Gateway Unit will act as an external chime when the Door Unit button is pressed.

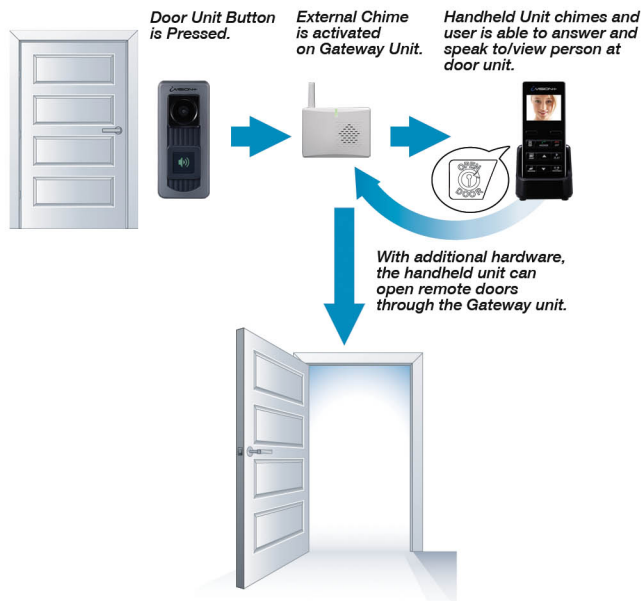


IV-GU Gateway Unit sold separately

<sup>1</sup> RCTD-20U sold separately. Door Unit must be hardwired in order for TD-20U to trigger Door Unit camera.  
<sup>2</sup> Third party lock sold separately.

## Door Release Capability

When integrated with door locking hardware, the Gateway Unit will release the lock when 'Open Door' button is pressed on the iVision+ Handheld Unit.<sup>1</sup>



<sup>2</sup> Third party lock sold separately.

# iVISION+



Accepts Multiple Stations



Battery Powered



Door Release Function

## Specifications

Model: OPTEX iVision+ (IVP-HU) Handheld Monitor Unit	
Operating Temperature	32° to 104°F
Operating Humidity	< 90% RH (no condensation)
Warranty	18 Months From Manufacture Date
Dust/Water Protection	N/A (Indoor Use Only)
Radiowave Frequency	2.4 GHz
Power	Power Adaptor 5.5V

Model: OPTEX iVision+ (IVP-DU) Door Camera Unit	
Operating Temperature	-4° to 122°F
Operating Humidity	< 90% RH (no condensation)
Warranty	18 Months From Manufacture Date
Dust/Water Protection	N/A (Water Drain Structure)
Radiowave Frequency	2.4 GHz
Camera/Lighting Unit	Color vision / IR lighting LED
Power	Battery (3 AA batteries) or AC/DC 10-24V
Battery Life Expectancy	12 month*
Storage Temperature	-22° to 158°F

\* Based on 3 activations (approx. 10sec) per day

### ADDITIONAL ACCESSORY

Model: OPTEX iVision+ (IVP-GU) Gateway Unit	
Operating Temperature	32° to 104°F
Operating Humidity	< 90% RH (no condensation)
Warranty	
Dust/Water Protection	N/A (Indoor Use Only)
Radiowave Frequency	2.4 GHz and 418MHz (with WSS2000 device)
Power	Power Adaptor 5V or AC/DC 10-24V

**NOTE:** Specifications may change without notice. iVision+, IVP-HU, IVP-DU and IVP-GU are not theft prevention units. OPTEX can not assume responsibility for a theft, should it occur.

## Features

# iVISION+ Advanced Wireless Intercom System With Video

### SYSTEM FEATURES

- Transmission Range Up To 330ft., Line Of Sight
- Digital Voice / Image Transmission
- Multi-Unit Expandability up to four IVP-HU and two IVP-DU
- Snap / Auto Image Recording
- Active Browse Function allows user to activate camera before IVP-DU button is pressed<sup>1</sup>
- Door Release with "Open Door" Button<sup>2</sup>

### IVP-HU HANDHELD UNIT FEATURES

- 2.4 inch LCD Monitor
- Wall Mountable Charging Cradle with rechargeable battery
- Maximum four units to a system
- micro-USB port PC connection allows user to view and download images (micro-USB cable not included)

### IVP-DU DOOR UNIT FEATURES

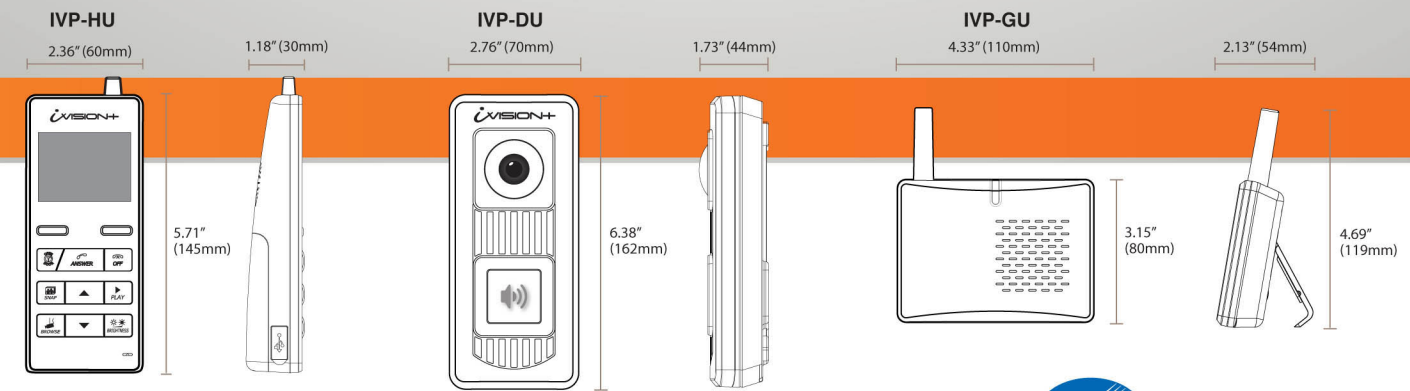
- Adjustable Camera Angle
- Battery Operated Capability (Avg. 1yr. battery life<sup>3</sup>, 3x AA batteries not included)
- Hardwired Capability (AC/DC, 10-24V)
- Auto Day (Color) / Night (IR) Vision
- Maximum two units to a system
- Fluorescent Push Button
- Splash Proof for rain and outdoor conditions

### IVP-GU GATEWAY UNIT AVAILABLE SOON

<sup>1</sup>Door Camera Unit must be powered by external source

<sup>2</sup>Additional door locking hardware required for door release feature

<sup>3</sup>Based on three activations per day



Optex Inc.  
Security Division

18730 S. Wilmington Ave., Unit 100  
Rancho Dominguez, CA 90220  
800-966-7839