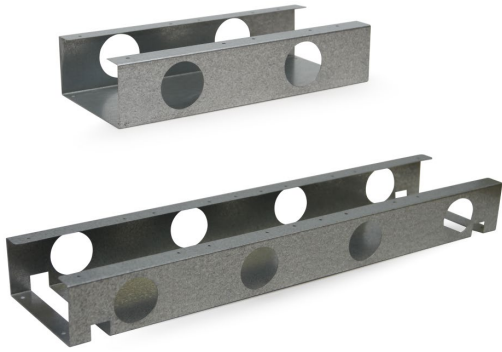


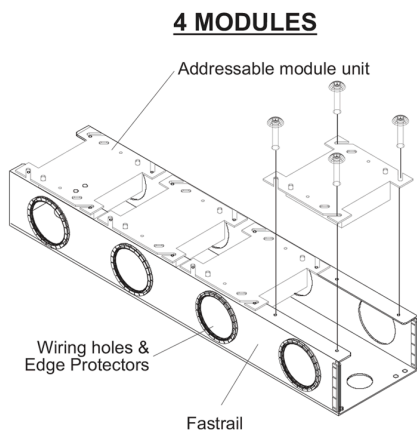
ACERBOX

BY SPACE AGE ELECTRONICS



FEATURES

- 20 gauge steel construction with galvanized finish
- Wire chace for vertical or horizontal installation
- Edge protector to eliminate wire cuts
- Mounting hole pattern for wall or cabinet mount



MFR

MULTI-FAST RAIL MODULE HOLDERS

Eliminate the need for multiple 4" square boxes or even modification of a 4" trough with an MFR, a Fast Rail designed to be configured to hold 2-3 or 4-5 addressable modules.

SPECIFICATIONS

The MFR shall be manufactured from durable 20 gauge galvanized steel with multiple mounting hole patterns for wall or cabinet mount. Measurements of the MFR 4/5 shall be 18" long x 4 5/16" wide x 2" deep. Measurements of the MFR 2/3 shall be 9" x 4 5/16" wide x 2" deep.

ORDERING INFORMATION

P/N	Description
SSU00462	MFR 2/3 Module Rail
SSU00458	MFR 4/5 Module Rail
SSU00655	ACE A Cabinet (holds 4 MFR 2/3 or 2 MFR 4/5)
SSU00656	ACE 2 Cabinet (holds 2 MFR 2/3)
SSU00657	ACE D Cabinet (holds 8 MFR 2/3 or 4 MFR 4/5)

