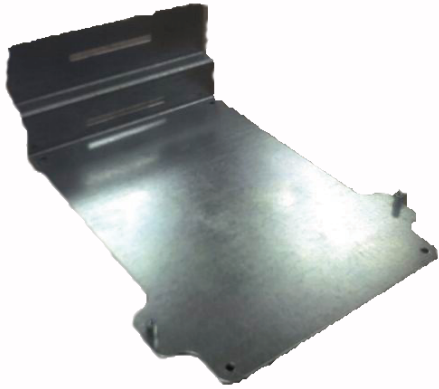


**NO
EXCUSES!**

2MB

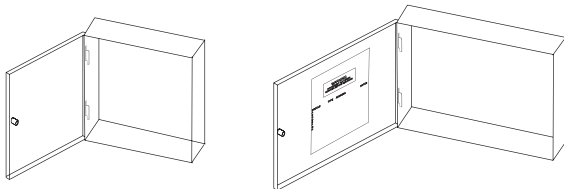


2 “Multi I/O” Module Bracket

The 2MB Multi-Module Assembly Bracket is designed to hold up to two System Sensor style Multiple Input and Output Addressable Modules. Ideally suited for Gamewell-FCI, Notifier, Firelite, and other addressable module installations.

Each Multiple IO module is installed independently with the field wiring connections easily accessible. The 2MB is supplied with all of the hardware required to mount it to any of the Space Age ACE Cabinets for a professional installation.

Space Age’s ACE Cabinet size “A” (SSU00655) or “D” (SSU00657) and AC2 Cabinet (SSU00656) are instock and features key access and a lift away removable door to access the address modules and field wiring thus allowing you time saving maintenance and trouble shooting of the system.



AC2 Cabinet Enclosure (PN: SSU00656)

Holds 2 2MB brackets 13.75” H x 13.75” W x 3.25”D

ACE Cabinet Enclosure:

- A size holds 4 2MB brackets 23 1/2” x 13” (PN SSU00655)
- D size holds 8 2MB brackets 23 1/2” x 23 1/2” (PN SSU00657)

A 3MB Bracket is available. It allows for the mounting of 3 System Sensor Multi I/O Addressable Modules per bracket. This unit only fits the ACE “A” and “D” Cabinets, not the AC2.

Standard Features:

- Secures 2 System Sensor I/O Modules per 2MB.
- Matches ACE and AC2 cabinet mounting holes.
- 2, 2MBs mount in the AC2 Cabinet (4 Multi I/O Mods)
- 4, 2MBs mount in the ACE A Cab (8 Multi I/O Mods)
- 8, 2MBs mount in the ACE D Cab (16 Multi I/O Mods)
- 20 gauge steel construction



ACE BOX

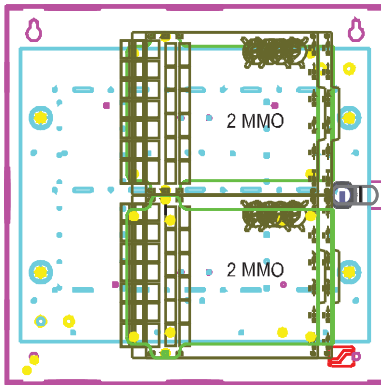
Space Age Electronics, inc.
www.1SAE.com
800.486.1723 Toll Free
508.485.0966 Local
508.485.4740 Fax

Specifications:

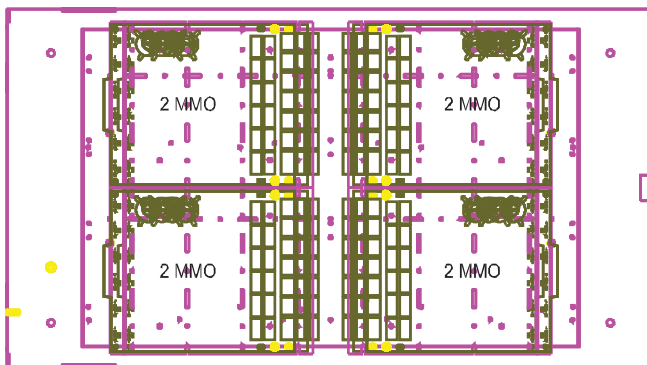
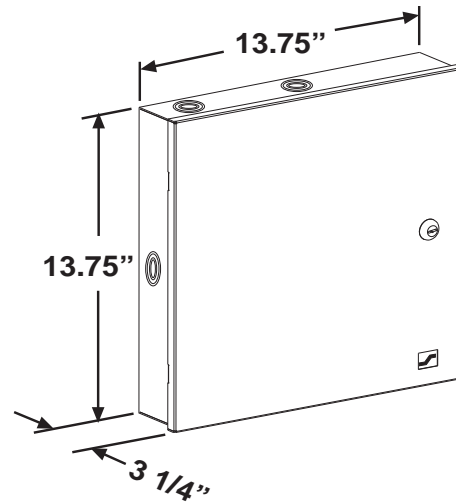
The 2MB Bracket is made of 20 gauge cold rolled steel (CRS) and is galvanized to protect the metal from corrosion. Each bracket can support two of System Sensor's multi I/O modules.

The 2MB can be purchased separately or through Space Age's Custom Assembly and be mounted in any number of our cabinets (below are just a few), Call For pricing.

System Sensor part numbers are: CR-6, SC-6, CZ-6 and the IM-10. These can be purchased separately and mounted in the brackets for you as well.

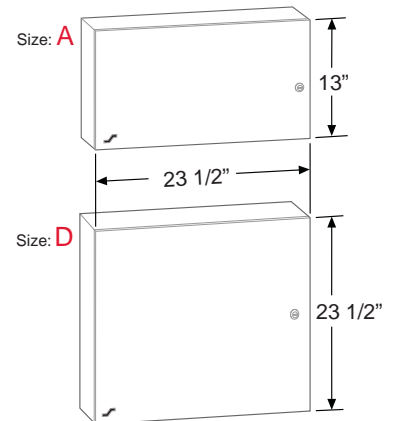


AC2 Cabinet with two (2) 2MB Brackets.
Total of 4 System Sensor Multi I/O Modules



ACE "A" Cabinet with Four (4) 3MB Brackets.
Total of 12 System Sensor Multi I/O Modules
ACE "D" can hold eight (8) 2MBs or 16 Modules.

Overall Cabinet Dimensions



Ordering Information:

| Part # | Description |
|----------|------------------------------|
| SSU00456 | 2MB multi I/O Module Bracket |



Space Age Electronics, inc.
www.ISAE.com
800.486.1723 Toll Free
508.485.0966 Local
508.485.4740 Fax

No Excuses, Just Solutions!