

GATOR RELAYS

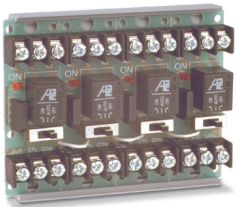
BY SPACE AGE ELECTRONICS



MR-600 SERIES MANUAL OVERRIDE RELAYS

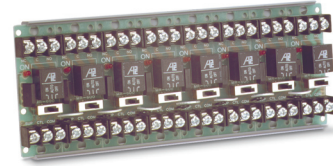
PRODUCT DESCRIPTION

The MR-600 Series Relays offer SPDT 10 Amp contacts @ 120VAC and 7 Amp @ 24VDC with manual override capabilities by means of an integral “ON–AUTO–OFF” switch. The switch requires a 24VAC or 24VDC constant “supply” power source to energize the relay when the switch is in the “ON” position. With the switch in the “AUTO” position, the relay is allowed to operate as signaled by the controlling system via a separate “control” input at 24VAC or 24VDC, in the same polarity. With the switch in the “OFF” position the relay will not be energized.



Each relay position contains a red LED, which indicates the relay coil is energized. Relays may be “snapped apart” from standard 2, 4, or 8 position modules and are also available in the single position configuration. Relays are available with track mounting hardware or mounted in enclosures. The “supply” power to each relay position is bussed on the printed wiring board via color coded jumpers, which permits “supply” power to be connected only once per multi-position module. These jumpers also allow position isolation or separation if cut.

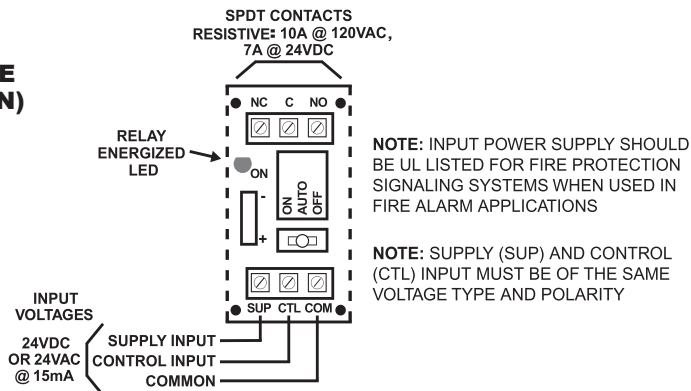
These devices are ideal for applications where local manual override controlled contacts are required for control of electrical loads or for general purpose switching. They are suitable for use with HVAC, Temperature Control, Fire Alarm, Security, Energy Management, and Lighting Control Systems.



FEATURES

- ❖ Relays may be energized from a voltage source of 24VDC or 24VAC
- ❖ Each relay position contains a red LED, which illuminates when the coil is energized, providing a time saving device when checking an installed system – no metering is required
- ❖ Single, dual, or triple relay modules may be “snapped apart” from standard 2, 4, and 8 position masters
- ❖ Integral “ON-AUTO-OFF” switch for local manual control
- ❖ “/T” versions UL Recognized Component, “/C” and “/C/R” versions UL listed
- ❖ Available in dust resistant enclosures with LED viewing port(s)
- ❖ “/C” and “/C/R” versions mounted in enclosures
- ❖ “/C/R” versions with red covers for NYC and other uses
- ❖ “/T” versions come complete with track mounting hardware which facilitates installation in standard cabinets
- ❖ “/T” versions are configured for an available optional MR Series Snap Track (SSU-MR-8INTK)

WIRING (TYPICAL FOR ONE MODULE POSITION)



UL RECOGNIZED COMPONENT



CSFM LISTED

MEA ACCEPTED

UUKL
Smoke Control

PRODUCT SPECIFICATIONS

| MODEL NUMBERS: | MODULE POSITIONS | CONTACT CONFIGURATION PER POSITION | TRACK MOUNTED H x W x D | ENCLOSURE MOUNTED H X W X D | COVER MATERIAL | UL* FILE S3403 | MEA FILE 73-92-E | CSFM FILE 7300-1004 |
|----------------|------------------|------------------------------------|--|---|------------------------------|----------------|------------------|---------------------|
| SSU-MR-601/T | 1 | SPDT | 3.50" (89mm) 2.00" (51mm) 1.375" (35mm) | | | UOXX2 | | |
| SSU-MR-601/C | 1 | SPDT | | 5.125" (131mm) 3.125" (80mm) 2.50" (64mm) | Grey ABS 94V-O Plastic | UOXX | | :110 |
| SSU-MR-601/C/R | 1 | SPDT | | | Red ABS 94V-O Plastic | UOXX2 UUKL | Vol. 29 | |
| SSU-MR-602/T | 2 | SPDT | 3.50" (89mm) 2.125" (54mm) 1.375" (35mm) | | | UOXX2 | | |
| SSU-MR-602/C | 2 | SPDT | | 5.125" (131mm) 3.125" (80mm) 2.50" (64mm) | Grey ABS 94V-O Plastic | UOXX | | :110 |
| SSU-MR-602/C/R | 2 | SPDT | | | Red ABS 94V-O Plastic | UOXX2 UUKL | Vol. 29 | |
| SSU-MR-604/T | 4 | SPDT | 3.50" (89mm) 4.25" (108mm) 1.375" (35mm) | | | UOXX2 | | |
| SSU-MR-604/C | 4 | SPDT | | 5.125" (131mm) 9.50" (242mm) 2.50" (64mm) | Plated 18ga CRS | UOXX | | :110 |
| SSU-MR-604/C/R | 4 | SPDT | | | Red 18ga CRS | UOXX2 UUKL | Vol. 29 | |
| SSU-MR-608/T | 8 | SPDT | 3.50" (89mm) 8.50" (215mm) 1.375" (35mm) | | | UOXX2 | | |
| SSU-MR-608/C | 8 | SPDT | | 5.125" (131mm) 9.50" (242mm) 2.50" (64mm) | Plated 18ga CRS | UOXX | | :110 |
| SSU-MR-608/C/R | 8 | SPDT | | | Red 18ga CRS | UOXX2 UUKL | Vol. 29 | |

POWER REQUIREMENTS: Per Position: 24VAC or 24VDC @ 15mA

POLARIZED COIL INPUT(S): No

ENERGIZED LED INDICATOR: One red LED per module position

CONTACT RATINGS: Resistive load: 10A @ 120VAC; 7A @ 24VDC

CONTACT CONSTRUCTION: One dry form "C" SPDT per module position

AMBIENT TEMPERATURE: 32°F to 120°F (0°C to 49°C) @ 85% RH (@ 32°F), Non-Condensing, Non-Freezing

WIRING: Solid or stranded; #14 to #22 AWG terminals

/T VERSIONS: 3.5" wide, low profile plastic snap track provided with mounting screws

/C VERSIONS: Back Box: 18ga CRS, plated with 1/2" conduit knockouts top and bottom

*UOXX (UL864)=Control Unit Accessories, System; 2=Component, UUKL (UL864) = Smoke Control System Equipment System

