

LiftMaster®



KPR2000

Waterproof
Keypad/Proximity Reader

Installation
and Set Up Manual

For How-to videos, visit the LiftMaster Training Academy
at LiftMasterTraining.com

Para Manual en Español ir a:
[http://www.LiftMaster.com/CatalogResourcesV3/en-us/shared/files/
tucmanuals/0137261SP.pdf](http://www.LiftMaster.com/CatalogResourcesV3/en-us/shared/files/tucmanuals/0137261SP.pdf)

INTRODUCTION	2-4	WIRING	7-10
Specifications	2	Wire the KPR2000.	7-10
Features	3	SET UP	11-22
Accessories	3	Configure the KPR2000.	11-14
One Year Limited Warranty	3	Program Cards and PINS.	15-19
Carton Inventory	4	Alarm	20
INSTALLATION	5-6	Reset the KPR2000	21
Install the KPR2000.	5	Erase all Codes	21
Choose an Operation Mode.	6	Sound & Light Indication.	22

SPECIFICATIONS

User Capacity	2000 User ID's with card and/or PINS
Operating Voltage	12 ~ 24 Vdc or 12 ~ 18 Vac
Idle Current	~ 50mA
Active Current	~ 80mA
Keypad	12 Key (3x4)
Two output formats	26 bit Wiegand Card keypad mode, 8 bit ASCII keypad mode
Proximity Card Reader	HID 26 bit and 30 bit (Sentex)
Radio Technology	125 KHz Industry Standard Proximity Card
Read Range	1 inch - 2.5 inches
Wiring Connections	Relay Output, REX, DOTL, Alarm, Wiegand (in/out)
Relay	One (NO, NC, Common)
Adjustable Relay Output Time....	1 ~ 99 Seconds (5 seconds default)
Adjustable Auxiliary	
Alarm Output Time	0 ~ 3 Minutes (1 minute default)
Lock Output Load	2 Amp Maximum
Auxiliary Alarm Output Load....	10 Amp Maximum
Wiegand Interface	HID Wiegand 26 and 30 bit Format Input & Output
Environment	Meets or exceeds IP68
Operating Temperature	-20°C ~ 60°C, or -4°F ~ 140°F
Operating Humidity.....	10% ~ 90% Non-Condensing
Physical	Zinc-Alloy Enclosure
Surface Finish	Powder Coat
Dimensions.....	L:128mm x W:82mm x D:28mm
Unit Weight.....	1 Pound
Shipping Weight	1.4 Pounds

The LiftMaster KPR2000 is a single entry multi-function Access Controller with integrated keypad and card reader. It is designed and manufactured to perform in a wide range of indoor, outdoor, and harsh environments.

The KPR2000 supports up to 2000 users in multiple access configurations (Card Only, Card or PIN, or Card + PIN). The built in 125 KHz card reader supports HID 26 bit Wiegand and 30 bit Sentex Wiegand proximity card formats. The KPR2000 offers advanced programming features like; block enrollment, advanced relay programming, and Panic PINs/Cards (which open the entry and set off the alarm).

FEATURES

- Waterproof (IP68) (meets or exceeds N4)
- Vandal Resistant Enclosure
- Blue Backlit Keypad
- Multi-color LED status display
- Integrated Alarm Buzzer & Output
- One Programmable Relay Output
- Stand Alone or Pass-Through Operation
- 2000 Users (Card/PIN/Card+PIN)
- Low power consumption (50mA)
- Anti-Tamper Alarm
- Latch Mode to hold door or gate open
- Two Keypad Operating Modes
- Time Saving Block Card Enrollment

ACCESSORIES (Sold Separately)

- Model PS12D2A 12 Vdc, 2 Amp Power Supply
- Model 142A0271 Decorative Trim Plate
- Model PED42 Gooseneck Pedestal
- Model PED64 Gooseneck Pedestal
- Model LMPC2-ST HID 26 Bit Proximity Clamshell Card
- Model LMPK3-ST HID 26 Bit Proximity Key

ONE YEAR LIMITED WARRANTY

LiftMaster warrants to the first consumer purchaser of this product that it is free from defect in materials and/or workmanship for a period of 1 year from the date of purchase.

CARTON INVENTORY

NOT SHOWN: Manual

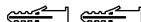
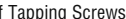


KPR2000
Keypad/Proximity Reader/Controller

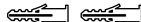
Diode IN4007 (For Relay
circuit protection)



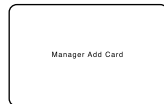
Self Tapping Screws #8 x 1"



Wall Anchors #6 x 1 1/8"



Security Screwdriver
(T-10 Security Torx Driver)



Manager Add Card



Manager Delete Card

NOTICE: This device complies with part 15 of the FCC rules and Industry Canada (IC) license-exempt RSS standard(s). Operation is subject to the following two conditions: (1) this device may not cause harmful interference, and (2) this device must accept any interference received, including interference that may cause undesired operation.

Any changes or modifications not expressly approved by the party responsible for compliance could void the user's authority to operate the equipment.

This Class B digital apparatus complies with Canadian ICES-003.

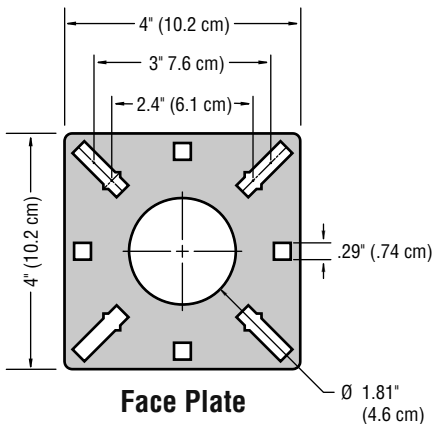
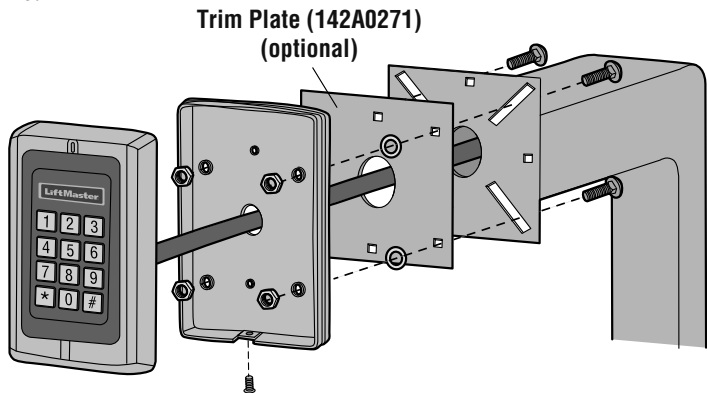
This device must be installed in a way where a minimum 8" (20 cm) distance is maintained between users/ bystanders and device.

This device has been tested and found to comply with the limits for a Class B digital device, pursuant to part 15 of the FCC rules. These limits are designed to provide reasonable protection against harmful interference in a residential installation. This equipment generates, uses and can radiate radio frequency energy and, if not installed and used in accordance with the instructions, may cause harmful interference to radio communications. However, there is no guarantee that interference will not occur in a particular installation. If this equipment does cause harmful interference to radio or television reception, which can be determined by turning the equipment off and on, the user is encouraged to try to correct the interference by one or more of the following measures:

- Reorient or relocate the receiving antenna.
- Increase the separation between the equipment and receiver.
- Connect the equipment into an outlet on a circuit different from that to which the receiver is connected.
- Consult the dealer or an experienced radio/TV technician for help.

INSTALL THE KPR2000

The KPR2000 fits a standard single outlet box, or a 2.4" (6.1 cm) square pedestal mount.



CHOOSE AN OPERATION MODE

STAND ALONE OPERATION (KPR2000 WITH A GATE OPERATOR)

The KPR2000 functions as a complete access control system. The user database is stored in non-volatile memory, reads the PINs and card codes, performs the authentication, and grants and monitors access to the property or device. In Stand Alone Operation there are three different Access Configurations listed below:

- **Card or PIN (Default):** The User must present a valid Wiegand Card to the KPR2000 or enter their PIN code followed by the # key, in order to be granted access.
- **Card Only:** The User must present a valid Wiegand Card to the KPR2000 in order to be granted access. The facility code and the ID number are both read and validated as one block of Wiegand data.
- **Card + PIN:** The User must first present a valid Wiegand Card to the KPR2000 and then enter their PIN code followed by the # key, in order to be granted access.

PASS-THROUGH OPERATION (KPR2000 WITH TELEPHONE ENTRY SYSTEM)

The KPR2000 passes all keypad and card reader Wiegand data to an external controller. The KPR2000 should be in the “Card or PIN” access configuration for pass-through operation. In this mode the LED will stay red, and the KPR2000 will beep 3 times when credentials are presented that are authenticated to the external controller. To change this mode and allow the KPR2000 to flash the green LED, and beep 1 time, the KPR2000 will have to learn the same credentials as the external controller.

IMPORTANT NOTE: Both modes of operation support Auto User ID generation (simplest method) and manual entry of user ID.

KEYPAD OPERATION

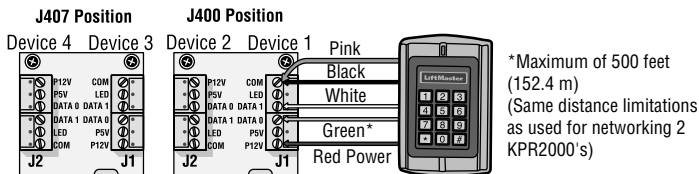
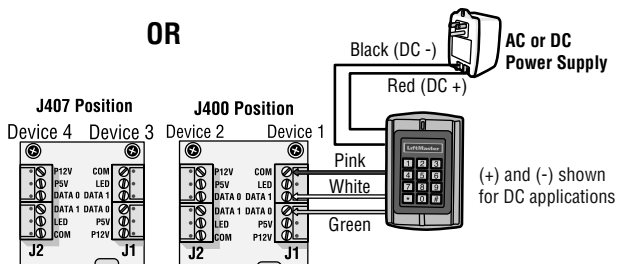
The KPR2000 keypad may output an 8 bit ASCII code every keystroke, or output a 26 bit Wiegand card packet with a facility code and a 4-5 digit card number when the # key is pressed. See configuration options on page 11.

WIRE THE KPR2000

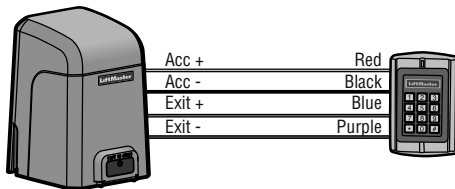
Wire Insulation Color	Wiring Function	Notes
BASIC STAND ALONE WIRING (WITH A GATE OPERATOR)		
Red	Power	12 - 24 Volts DC or 12 - 18 Volts AC regulated power input
Black	Power	12 - 24 Volts DC or 12 - 18 Volts AC regulated power input
Blue	Relay NO	Normally Open Relay Output (Install diode) provided)
Purple	Relay Common	Common Connection for Relay Output
Orange	Relay NC	Normally Closed Relay Output (Install diode[provided])
CONNECTING TWO KPR2000 UNITS		
Red	Power	12 - 24 Volts DC or 12 - 18 Volts AC regulated power input
Black	Power	12 - 24 Volts DC or 12 - 18 Volts AC regulated power input
Green	Data 0	Wiegand Output (Pass-through)/Input (Stand Alone) Data 0
White	Data 1	Wiegand Output (Pass-through)/Input (Stand Alone) Data 1
Pink	Ground	Ground reference for Wiegand Output/Input
ADVANCED INPUT AND OUTPUT FEATURES		
Yellow	REX	Request To Exit (REX) Input
Gray	Alarm Output	Negative contact for Alarm
Brown	Contact Input	Door/Gate Contact Input (Normally Closed)
Pink	Ground	Ground reference for REX, and Door/Gate contact inputs.
ACCESS CONTROL SYSTEM		
Red	Power	12 - 24 Volts DC or 12 - 18 Volts AC regulated power input
Black	Power	12 - 24 Volts DC or 12 - 18 Volts AC regulated power input
Pink	Ground	Ground reference for Wiegand Output/Input
Green	Data 0	Wiegand Output (Pass-through)/Input (Stand Alone) Data 0
White	Data 1	Wiegand Output (Pass-through)/Input (Stand Alone) Data 1

WIRING EXAMPLES:**Connecting to an Access Control System**

The example below uses the EL25/EL2000SS Wiegand Module (WOMDKT).
 KPR2000 can be connected to other access systems with the same Wiegand inputs.
 KPR2000 can be connected to Device 1, 2, 3 or 4 (EL25, EL2000SS).

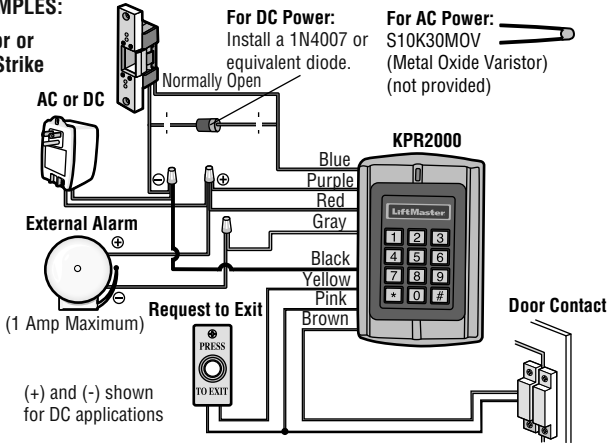
**OR****Connecting to a Gate Operator**

4-wire connection with KPR2000 powered from the CSL24U/CSW24U/LA500PKGU/LA400PKGU accessory power output.

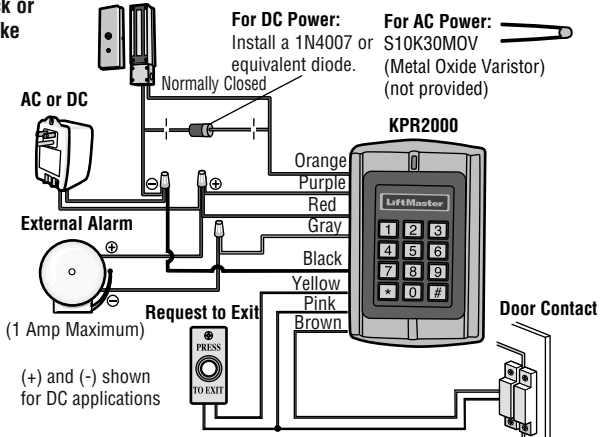


WIRING EXAMPLES:

Door Operator or Fail-Secure Strike

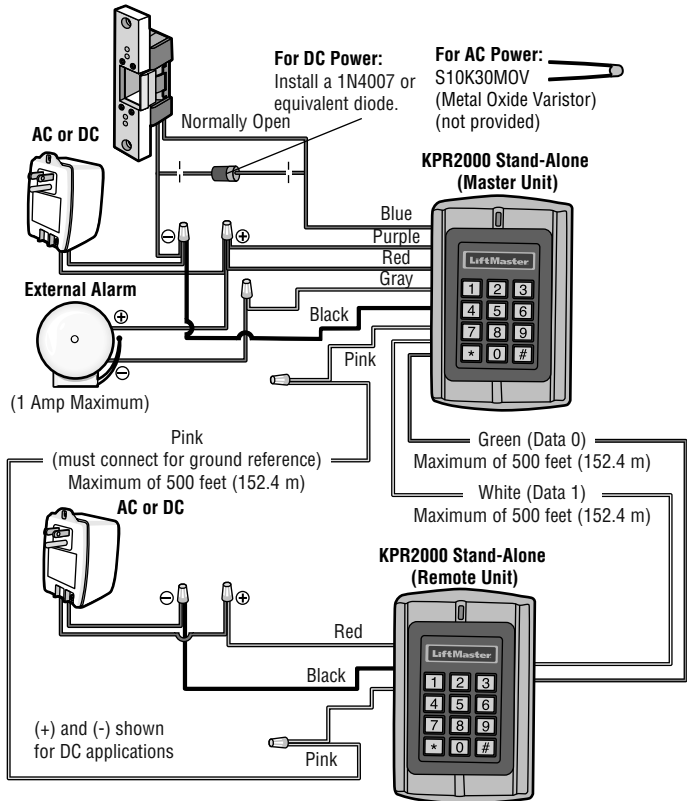


Magnetic Lock or Fail-Safe Strike



WIRING EXAMPLES:

Networking Two KPR2000 Units



CONFIGURE THE KPR2000

Change the configuration settings according to your application (optional). Multiple configuration settings can be changed at one time: enter program mode, change desired settings, then exit program mode.

SET MASTER CODE

The 6 digit Master Code is used to prevent unauthorized access to the system. To interface with the KPR2000, the manager will need a Master Code (factory default code: 888888). We highly recommend immediate update and recording of your Master Code.

Programming Step	Keystroke Combination
1. Enter Program Mode	* (Master Code) #
2. Update Master Code	0 (New Code) # (New Code) #
3. Exit Program Mode	*

SET ACCESS CONFIGURATION

NOTE: See page 6 for description of each operation mode.

There are 3 types of access configurations for the KPR2000:

Card or PIN (Default): The User must present a valid Wiegand Card to the KPR2000 or enter their PIN code followed by the # key, in order to be granted access.

Card Only: The User must present a valid Wiegand Card to the KPR2000 in order to be granted access. The facility code and the ID number are both read and validated as one block of Wiegand data.

Card + PIN: The User must first present a valid Wiegand Card to the KPR2000 and then enter their PIN code followed by the # key, in order to be granted access.

Programming Step	Keystroke Combination
1. Enter Program Mode	* (Master Code) #
2. Card Only	3 0 #
OR	
2. Card + PIN	3 1 #
OR	
2. Card or PIN	3 2 #
3. Exit Program Mode	*

SET RELAY CONFIGURATION

The relay configuration sets the behavior of the output relay on activation.

Programming Step	Keystroke Combination
1. Enter Program Mode	* (Master Code) #
2. Pulse Mode (Default) OR 2. Latch Mode	4 (1-99) # <i>The relay time is 1-99 seconds (default is 5 seconds)</i> 4 0 # <i>Sets the relay to ON/OFF latch mode</i>
3. Exit Program Mode	*

SET WIEGAND INPUT/OUTPUT OPTIONS

The KPR2000 offers input and output for industry standard Wiegand devices (refer to Specifications). **Default is HID 26 bit.**

Programming Step	Keystroke Combination
1. Enter Program Mode	* (Master Code) #
2. Set Wiegand Format	9 (Bit Format) # <i>Bit Format = Valid 2 digit format (example: 26 or 30)</i>
3. Exit Program Mode	*

SET DOOR OPEN TOO LONG (DOTL) OR FORCED ALARM

This setting enables both DOTL and Door Forced Alarms and requires an external sensor input. The Door Forced alarm output timing can be set from 1-3 minutes (default is 1 minute). The Door Open Too Long (DOTL) timing is fixed to 1 minute and only sounds the built in buzzer. Factory default is OFF.

Programming Step	Keystroke Combination
1. Enter Program Mode	* (Master Code) #
2. DOTL /Door Forced Alarm OFF OR 2. DOTL /Door Forced Alarm ON	6 0 # 6 1 # (<i>DOTL: Alarm sounds for 1 minute. Door Forced: Alarm sounds for 1-3 minutes and enables alarm output.</i>)
2. Door Forced Output Timing	9 (1-3) #
3. Exit Program Mode	*

SET STRIKE-OUT ALARM

The strike-out alarm will engage after 10 failed card/PIN attempts in a ten minute period. Factory default is OFF. The strike-out alarm can be set to deny access for 10 minutes or it can be set to operate the alarm for 10 minutes. **NOTE:** Enter Master Code or Valid Card to silence all alarm outputs.

Programming Step	Keystroke Combination
1. Enter Program Mode	* (Master Code) #
2. Strike-Out Alarm OFF OR 2. Strike-Out ON OR 2. Strike-Out Alarm ON	7 0 # (<i>Factory default</i>) 7 1 # <i>Access will be denied for 10 minutes</i> 7 2 #
3. Exit Program Mode	*

SET AUDIBLE AND VISUAL RESPONSE

Factory default is ON.

Programming Step	Keystroke Combination	
1. Enter Program Mode	* (Master Code) #	
2. Control Backlight OR	ON = 7 5 #	OFF = 7 4 #
2. Control LED OR	ON = 7 7 #	OFF = 7 6 #
2. Control Sounds	ON = 7 9 #	OFF = 7 8 #
3. Exit Program Mode	*	

SET WIEGAND KEYPAD MODE

Programming Step	Keystroke Combination	
1. Enter Program Mode	* (Master Code) #	
2. Set Keypad Mode OR	6 2 # ASCII Keypad Mode	
2. Set Keypad Mode	6 3 # 26 bit Card Keypad Mode (factory default)	
3. Exit Program Mode	*	

SET 26 BIT FORMAT FACILITY CODE

Programming Step	Keystroke Combination	
1. Enter Program Mode	* (Master Code) #	
2. Set Facility Code	8 0 # Ignores facility code (Factory default) 8 (Facility Code) # (1 - 255)	
3. Exit Program Mode	*	

PROGRAM CARDS AND PINS

Programming will vary depending on the access configuration. Follow the instructions according to your access configuration.

GENERAL PROGRAMMING INFORMATION

- **User ID Number:** Assign a user ID number to the access code in order to keep track of the users of access cards or PINs. The user ID number can be any number from 1-2000. **IMPORTANT:** *User IDs do not have to be preceded with any leading zeros. Recording of User ID is critical. Modifications to user data require either the card or the User ID be available.*
- **Proximity Card:** Any 125 KHz industry standard 26 bit Wiegand Proximity Card, or 30 bit Sentex Proximity Card.
- **Keypad PIN:** The PIN can be any 4 - 5 digits between 0000 - 65535 (except 1234 which is reserved for factory testing). **IMPORTANT:** *PINs less than 1000 must be preceded with leading zeros. PINs greater than 999 do not require any leading zeros.*

EXAMPLES:

PIN code 15 = 0015

PIN code 25 = 0025

PIN code 9999 = 9999

PIN code 65431 = 65431

- All card users are automatically assigned a default PIN of 1234 that must be changed to be activated.

ACCESS CONFIGURATION: CARD OR PIN, CARD + PIN, & CARD ONLY

ADD USER CARD(S)

Programming Step	Keystroke Combination
1. Enter Program Mode	* (Master Code) #
2. Add Card: Using Auto ID (<i>Allows KPR2000 to assign Card to next available User ID number</i>) OR 2. Add Card: Select Specific ID (<i>Allows manager to define a specific User ID to associate the card to</i>) OR 2. Add Card: Block Learn (<i>Allows manager to add up to 2000 cards to the KPR2000 in a single step †</i>). <i>Takes 2 minutes to program.</i>	1 (Read Card) # <i>Repeat Step 2 for additional user cards. See Notes 1 and 2.</i> 1 (User ID) # (Read Card) # <i>See Notes 1 and 2.</i> 5 (User ID) # (The first card number) # (Card Quantity) # <i>Card quantity = number of cards to be enrolled</i>
3. Exit Program Mode	* *
† Block Learn Direct Entry	Format for programming specific Card Numbers: Facility Code + Serial Number (including leading 0's) Example: FAC- 24, SN- 100 would be entered as: 26 Bit: 02400100 30 Bit: 0000000100 Only the Serial Number is validated for 30 bit cards.

DELETE USER CARD(S)

Programming Step	Keystroke Combination
1. Enter Program Mode	* (Master Code) #
2. Delete Card - By User ID OR	2 (User ID) # <i>Deleting by User ID number will clear cards and PINs</i>
2. Delete Card - By Card OR	2 (Read Card) # <i>Requires the user card. Deletes ONLY the card number</i>
2. Delete Card -By Card Number	2 (Card Number) # <i>Deletes ONLY the card number †</i>
3. Exit Program Mode	* *
† Block Learn Direct Entry	Format for programming specific Card Numbers: Facility Code + Serial Number (including leading 0's) Example: FAC- 24, SN- 100 would be entered as: 26 Bit: 02400100 30 Bit: 0000000100 Only the Serial Number is validated for 30 bit cards.

ADD OR DELETE A PIN

A PIN may be programmed to a separate or an existing user ID. PINs programmed separately will use additional memory.

Programming Step	Keystroke Combination
1. Enter Program Mode	* (Master Code) #
2. Add a PIN <i>Assigns PIN to user ID number</i> OR	1 (User ID) # (PIN) # <i>Repeat Step 2 for additional PINs</i> <i>See Notes 1 and 2.</i>
2. Delete a PIN <i>Deletes the User ID number and associated PIN</i>	2 (User ID) # <i>Repeat Step 2 for additional PINs</i> <i>See Notes 1 and 2 on the following page.</i>
3. Exit Program Mode	* *

CHANGE A PIN

Allows card user to update a previously set PIN for a card & PIN or card + PIN User ID. Default PIN codes (1234) can only be changed by using Change PIN using a card.

NOTE: *This operation is executed from outside of Program Mode.*

Programming Step	Keystroke Combination
1. Change a PIN using a Card	* (Read Card) (Old PIN) # (New PIN) # (New PIN) #
OR	
1. Change PIN using PIN	* (User ID) # (Old PIN) # (New PIN) # (New PIN) #

NOTE 1: *When assigning a user both a card and a PIN, the card MUST be assigned first. After the card is assigned, the user must change the PIN using card to activate the PIN for this user. If the PIN is assigned first, a second user ID must be used to assign the card.*

NOTE 2: *When adding or deleting multiple users sequentially, the program command (1 or 2, respectively) is entered only once at the beginning of the procedure. For additional users, enter the user ID and credentials only in the same order as the first entry. When sequence is complete, programming step is terminated by pressing * once.*

EXAMPLE: *To Add Multiple Users*

Programming Step	Keystroke Combination
1. Enter Program Mode	* (Master Code) #
2. Add multiple users	1 (User ID 1) # (PIN1) #, (User ID 2) # (PIN2) #, (User ID 10) # (PIN10) #
3. Exit Program Mode	* *

ACCESS CONFIGURATION: CARD ONLY

USING MANAGER CARDS

KPR2000 managers can use manager cards to program user cards into and out of the system. There are two pre-programmed manager cards (an Add Card, and a Delete Card) to allow rapid card enrollment. This is a form of Auto User ID enrollment and is only available in “Card Only” configuration.

Programming Step	Keystroke Combination
Add a User Card	<ol style="list-style-type: none">1. (Read Manager Add Card)2. (Read User Card) <i>Repeat Step 2 for additional user cards</i>3. (Read Manager Add Card)
Delete a User Card	<ol style="list-style-type: none">1. (Read Manager Delete Card)2. (Read User Card) <i>Repeat Step 2 for additional user cards</i>3. (Read Manager Delete Card)

ALARM

TO RESET THE ALARM

Programming Step	Keystroke Combination
To reset the door forced open warning	(Read valid card) OR (Master Code) #
To reset the door open too long (DOTL) warning	(Read valid card) OR (Master Code) #

ANTI-TAMPER ALARM

The KPR2000 uses an optical sensor as the input for its internal alarm. If the case is opened while the KPR2000 is powered, the alarm will operate. Enter Master Code or a valid card to silence all alarm outputs.

RESET THE KPR2000

This will reset the KPR2000 to the factory default but all card/PIN information will still be retained. This will also require reprogramming of the Master Add and Delete Cards. **NOTE:** *This is useful if the original Master Add and Delete Cards have been lost.*

Programming Step	Keystroke Combination
Reset the KPR2000 to the factory default	<ol style="list-style-type: none"> 1. Power the KPR2000 down. 2. Press and hold the * button while power is restored to the KPR2000. 3. Release the button and wait until the amber LED shines. 4. Present any 26 bit proximity card or the Manager Add Card (provided) to the KPR2000. This card is now the Manager Add Card. 5. Present any 26 bit proximity card or the Manager Delete Card (provided) to the KPR2000. This card is now the Manager Delete Card. <p>When the red LED begins to blink, the KPR2000 has been successfully reset.</p>

ERASE ALL CODES

Programming Step	Keystroke Combination
Delete ALL User data	<ol style="list-style-type: none"> 1. Enter Program Mode by pressing: * (Master Code) #. 2. Press 2 0000 #. 3. Exit Program Mode by pressing: * * <p>All configuration data is retained.</p>

SOUND & LIGHT INDICATION

Operation Status	Red LED	Green LED	Amber LED	Sounds
Power On	Flashing			Single Beep
Standby	Flashing			
Press Keypad	Flashing			Single Beep
5 Second Time-out	Flashing			3 Beeps
Enter Master Code Entry Mode	ON			Single Beep
In Program Mode	ON	Single Flash		Single Beep
Entered Single Program Step Successfully	ON	Single Flash		Single Beep
Entered Continuous Program Step Successfully		Single Flash	ON	Single Beep
Entered Continuous Program Step Incorrectly			ON	3 Beeps
Exited from Program Mode	Flashing			Single Beep
Entry Granted		ON		Single Beep
Alarm Mode Engaged	Flashing			Alarm
Pressing * Toggles Standby/Master Code Entry	ON/ Flashing			Single Beep
Reset to Factory Default	ON			2 Beeps

TECHNICAL SUPPORT:
1-800-528-2806

LiftMaster®



KPR2000

Clavier Imperméable/
Lecteur de Proximité

Manuel d'installation
et de configuration

Pour des vidéos d'instructions, aller à l'Académie de formation LiftMaster à LiftMasterTraining.com.

Para Manual en Español ir a:
<http://www.LiftMaster.com/CatalogResourcesV3/en-us/shared/files/tucmanuals/0137261SP.pdf>

INTRODUCTION	2-4	CÂBLAGE	7-10
Spécifications	2	Connexion du KPR2000	7-10
Caractéristiques	3	CONFIGURATION	11-22
Accessoires	3	Configuration du KPR2000	11-14
Garantie Limitée d'Un An	3	Programmation des cartes et des NIP	15-19
Contenu du Carton d'Expédition	4	Alarme	20
INSTALLATION	5-6	Réinitialisation du KPR2000	21
Installation du KPR2000	5	Effacement de Tous les Codes	21
Choisir un mode de fonctionnement	6	Signaux Sonores et Voyants	22

SPÉCIFICATIONS

Capacité du dispositif	ID 2000 utilisateurs de carte avec et / ou NIPS
Tension de fonctionnement	12 à 24 V c.c. ou 12 à 18 V c.a.
Courant de repos	environ 50 mA
Courant actif	environ 80 mA
Clavier	à 12 clés de 7,60 cm x 10 cm (3 po x 4 po)
Deux formats de sortie :	Mode clavier 26 bits Wiegand carte, 8 mode clavier bit ASCII
Lecteur de proximité	Formats de sorties HID Wiegand 26 et 30 bits (Sentex)
Technologie radio	Lecteur de proximité de 125 KHz conforme aux normes de l'industrie
Portée de lecture	de 2,5 cm à 6,35 cm (1 po à 2,5 po)
Fils de câblage	Relais de sortie, REX, DOTL, alarme, entrées et sorties Wiegand
Relais	Un (Normalement Ouvert (NO), Normalement Fermé (NC), Usuel (COMMON))
Délai réglable du relais de sortie	1 à 99 seconds (5 secondes par défaut)
Délai réglable de la sortie d'alarme	0 à 3 minutes (1 minute par défaut)
Densité linéique de verrouillage	2 A. maximum
Densité linéique de la sortie d'alarme	10 A. maximum
Format Wiegand	Format d'entrées et de sorties HID Wiegand 26 et 30 bits
Environnement	Rencontre ou excède la norme IP68
Température de fonctionnement	-20 °C à 60 °C (-4 °F à 140 °F)
Taux d'humidité	10% à 90% sans condensation
Caractéristiques physiques	Enceinte en alliage de zinc
Surface	Revêtement par pulvérisation
Dimensions	128 mm (long.) x 82 mm (larg.) x 28 mm (prof.)
Poids de l'unité	0,45 kg (1 lb)
Poids à l'expédition	0,64 kg (1,4 lb)

Le LiftMaster KPR2000 est un contrôleur d'accès à porte d'entrée unique multifonctions et muni d'un clavier intégré et d'un lecteur de carte. Il est conçu et fabriqué pour fonctionner dans de nombreux environnements intérieurs, extérieurs et hostiles.

Le KPR2000 supporte jusqu'à 2000 usagés qui utilisent des configurations multiples d'accès (carte seule, carte ou NIP, ou carte et NIP). Le lecteur de cartes intégré à 125 KHz accepte les formats des cartes de proximité HID 26 bit Wiegand et des cartes de proximité Sentex Wiegand. Le KPR2000 offre des caractéristiques de programmation avancées, telles que l'initialisation du bloc de données, la programmation avancée de relais ainsi que des codes d'urgence cartes/NIP (pour l'ouverture de la porte d'entrée et le déclenchement de l'alarme).

CARACTÉRISTIQUES

- Imperméable (IP68) (rencontre ou excède la norme N4)
- Enceinte anti-vandalisme
- Clavier illuminé bleu
- Afficheur à DEL multicolore
- Alarme et sortie d'alarme intégrées
- Relais de sortie programmable (1)
- Mode de fonctionnement autonome ou en sas
- 2000 usagés (Carte/NIP/Carte et NIP)
- Faible consommation d'électricité (50 mA)
- Alarme anti-piratage
- Mode verrouillage pour maintenir la porte ou le portail ouverts
- Deux modes de fonctionnement du clavier
- Inscription en bloc rapide par carte

ACCESSOIRES (Vendu Séparément)

- Alimentation électrique de 12 V c.c., 2 A., modèle PS12D2A
- Plaque de garniture décorative de modèle 142A0271
- Piédestal à col de cygne de modèle PED42
- Piédestal à col de cygne de modèle PED64
- Modèle LMPC2-ST - Carte de proximité coquille HID de 26 bits
- Modèle LMPK3-ST - Clé de proximité HID de 26 bits

GARANTIE LIMITÉE D'UN AN

LiftMaster garantit à l'acheteur initial que le produit est exempt de tout défaut de matériaux ou de fabrication pendant une période d'un an à compter de la date d'achat.

CONTENU DU CARTON D'EXPÉDITION

NON ILLUSTRÉ : Guide de l'utilisateur



Clavier imperméable/lecteur de proximité,
modèle KPR200

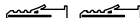
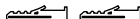
Diode IN4007 (pour la
protection du relais)



Vis Parker no 8 de
2,5 cm (1 po)



Ancrages muraux no 6 de
2,85 cm (1 1/8 po)



Tournevis de fixation
(tournevis à pointe à six lobes T-10)

Manager Add Card

Carte d'extension
de l'administrateur

Manager Delete Card

Carte de suppression
de l'administrateur

AVIS : Ce dispositif est conforme à la partie 15 des règles de la FCC et des normes RSS exemptées de licence d'Industrie Canada (IC). L'utilisation est assujettie aux deux conditions ci-après : (1) ce dispositif ne doit pas causer d'interférences nuisibles, et (2) ce dispositif doit accepter toute interférence reçue, y compris une interférence pouvant causer un fonctionnement indésirable.

Tout changement ou toute modification non expressément approuvés par la partie responsable de la conformité pourrait annuler l'autorité de l'utilisateur d'utiliser l'équipement.

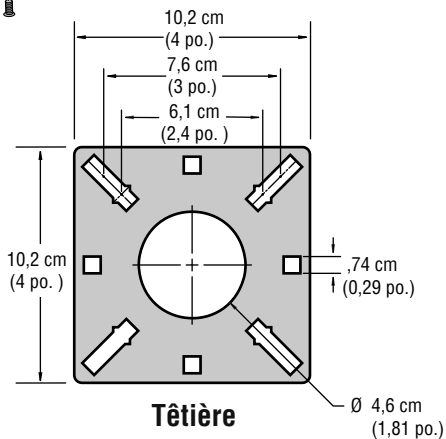
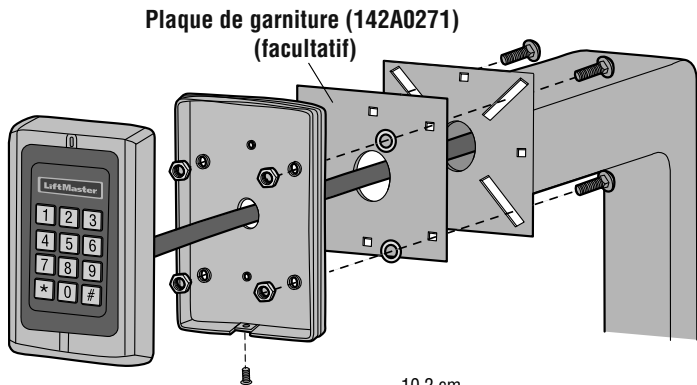
Cet appareil numérique de classe B est conforme à la norme ICES-003 du Canada.

Ce dispositif a été mis à l'essai et déclaré conforme aux limites établies pour les dispositifs numériques de classe B, conformément à l'article 15 des règles de la FCC. Cette conformité a pour but de fournir une protection raisonnable contre les interférences nuisibles dans une installation résidentielle. Cet équipement génère, utilise et peut émettre des fréquences radio et, s'il n'est pas installé et utilisé conformément aux instructions, causer des interférences nuisibles aux communications radio. Cependant, il n'existe aucune garantie que des interférences ne se produiront pas dans une installation particulière. Si cet équipement provoque des interférences nuisibles à la réception d'une diffusion sonore ou visuelle, ce qui peut être déterminé en l'allumant et en l'éteignant, l'utilisateur est invité à essayer de résoudre ce problème en prenant une ou plusieurs des mesures suivantes :

- Réorienter ou déplacer antenne de réception.
- Augmenter la distance entre l'équipement et le récepteur.
- Brancher l'appareil à une prise sur un circuit différent de celui du récepteur.
- Pour obtenir de l'aide, consulter le détaillant ou un radiotechnicien expérimenté.

INSTALLATION DU KPR2000

Convient une boîte de sortie standard unique, ou un socle carré 6,1 cm (2,4 po.) monter.



CHOISIR UN MODE DE FONCTIONNEMENT

MODE DE FONCTIONNEMENT AUTONOME (KPR2000 AVEC ACTIONNEUR DE BARRIÈRE)

Le KPR2000 est un système de contrôle d'accès complet. La base de données de l'utilisateur est stockée dans une mémoire non volatile qui lit les NIP et les codes de cartes, effectue l'authentification et autorise et surveille l'accès aux caractéristiques et à l'appareil. Le mode de fonctionnement autonome est muni des trois configurations de l'accès suivantes :

- **Carte ou NIP (par défaut)** : L'utilisateur doit d'abord insérer une carte Wiegand valide dans le KPR2000 ou entrer son NIP suivi de la touche Carré pour se voir autoriser l'accès.
- **Carte seule** : L'utilisateur doit insérer une carte Wiegand valide dans le KPR2000 pour se voir autoriser l'accès. Le code d'installation et le numéro d'identification sont tous deux lus et validés comme un bloc de données Wiegand.
- **Carte et NIP** : L'utilisateur doit d'abord insérer une carte Wiegand valide dans le KPR2000 et entrer son NIP suivi de la touche Carré pour se voir autoriser l'accès.

FONCTIONNEMENT À PASSAGE CONTRÔLÉ (KPR2000 AVEC SYSTÈME D'ACCÈS PAR TÉLÉPHONE)

Le KPR2000 passe toutes les données Wiegand clavier et lecteur de carte à un contrôleur externe. Le KPR2000 devrait être dans la "Carte ou PIN " configuration d'accès pour l'opération pass-through. Dans ce mode, la LED restera rouge, et le KPR2000 émet 3 bips lorsque les informations d'identification sont présentés que sont authentifiées au contrôleur externe. Pour changer ce mode et permet le KPR2000 à clignoter la LED verte et un bip 1 fois, la KPR2000 devra apprendre les mêmes informations que le contrôleur externe.

REMARQUE IMPORTANTE : Les deux modes de fonctionnement supportent la saisie automatique (méthode la plus simple) et la saisie manuelle du numéro d'utilisateur.

FONCTIONNEMENT DU CLAVIER

Le clavier KPR2000 peut émettre un code ASCII 8 bits chaque frappe, ou sortie un paquet de cartes de Wiegand 26 bits avec un code de service et un numéro de carte 4-5 chiffres lorsque la touche # est pressée. Voir les options de configuration à la page 11.

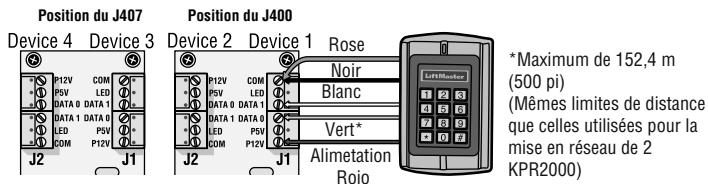
CÂBLAGE DU KPR2000

Couleurs de l'isolation des fils de câblage	Connexion	Remarque
CONNEXION DE BASE AUTONOME (AVEC UN ACTIONNEUR DE BARRIÈRE)		
Rouge	Tension	Entrée d'alimentation stabilisée de 12 à 24 volts c. c. ou de 12 à 18 volts c. a.
Black	Tension	Entrée d'alimentation stabilisée de 12 à 24 volts c. c. ou de 12 à 18 volts c. a.
Bleu	Relais normalement ouvert (NO)	Relais de sortie normalement ouvert (diode d'installation fournie)
Pourpre	Relais usuel	Connexion usuelle pour relais de sortie
Orange	Relais normalement fermé (NC)	Relais de sortie normalement fermé (diode d'installation fournie)
CONNEXION DE DEUX UNITÉS KPR2000		
Rouge	Tension	Entrée d'alimentation stabilisée de 12 à 24 volts c. c. ou de 12 à 18 volts c. a.
Noir	Tension	Entrée d'alimentation stabilisée de 12 à 24 volts c. c. ou de 12 à 18 volts c. a.
Vert	Données 0	Sortie Wiegand (passage contrôlé)/Entrée (autonome) Données 0
Blanc	Données 1	Sortie Wiegand (passage contrôlé)/Entrée (autonome) Données 1
Rose	Mise à la terre	Référence de masse pour sortie/entrée Wiegand
CARACTÉRISTIQUES AVANCÉES D'ENTRÉE ET DE SORTIE		
Jaune	Demande de sortie (REX)	Entrée « Demande de sortie » (REX)
Gris	Sortie d'alarme	Entrée d'alarme par contact (négative)
Brun	Entrée par contact	Entrée de la porte/du portail par contact (normalement fermée)
Rose	Mise à la terre	Référence de masse pour REX et entrées par contact de porte/barrière.
SYSTÈME DE CONTRÔLE D'ACCÈS		
Rouge	Tension	Entrée d'alimentation stabilisée de 12 à 24 volts c. c. ou de 12 à 18 volts c. a.
Noir	Tension	Entrée d'alimentation stabilisée de 12 à 24 volts c. c. ou de 12 à 18 volts c. a.
Rose	Mise à la terre	Référence de masse pour sortie/entrée Wiegand Sortie
Vert	Données 0	Wiegand (passage contrôlé)/Entrée (autonome) Données 0
Blanc	Données 1	Sortie Wiegand (passage contrôlé)/Entrée (autonome) Données 1

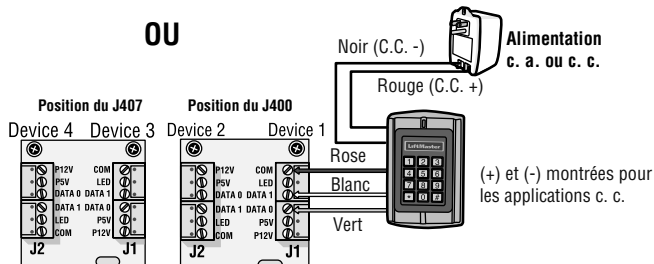
EXEMPLES DE CONNEXIONS :

Connexion à un système de commande d'accès

L'exemple ci-dessous utilise le module Wiegand EL25/EL2000SS (WOMDKT). Le KPR2000 peut être connecté à d'autres systèmes d'accès avec les mêmes entrées Wiegand. Le KPR2000 peut être connecté à l'appareil 1, 2, 3 ou 4 (EL25, EL2000SS).

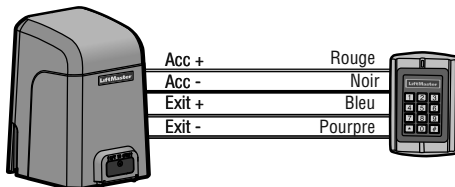


OU



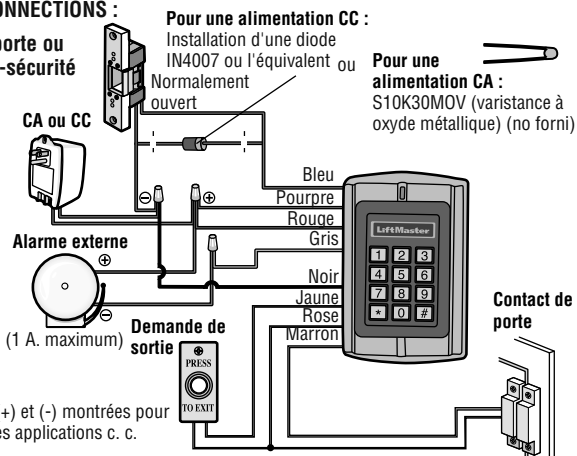
Connexion à un actionneur de barrière

Connexion à 4 fils avec KPR2000 alimenté à partir de la puissance de sortie des accessoires CSL24U/CSW24U/LA500PKGU/ LA400PKGU.

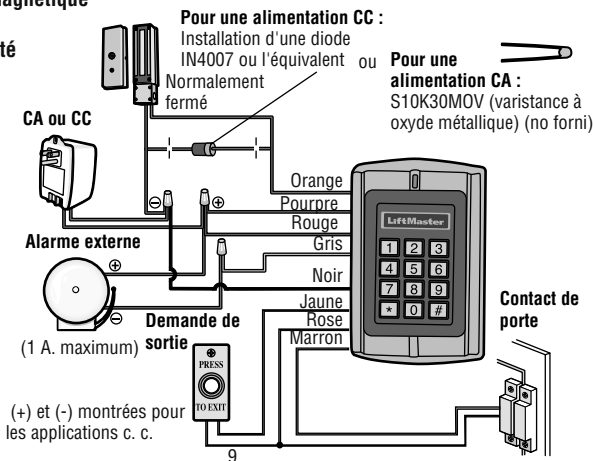


EXEMPLES DE CONNEXIONS :

Opérateur de la porte ou sonnerie d'échec-sécurité

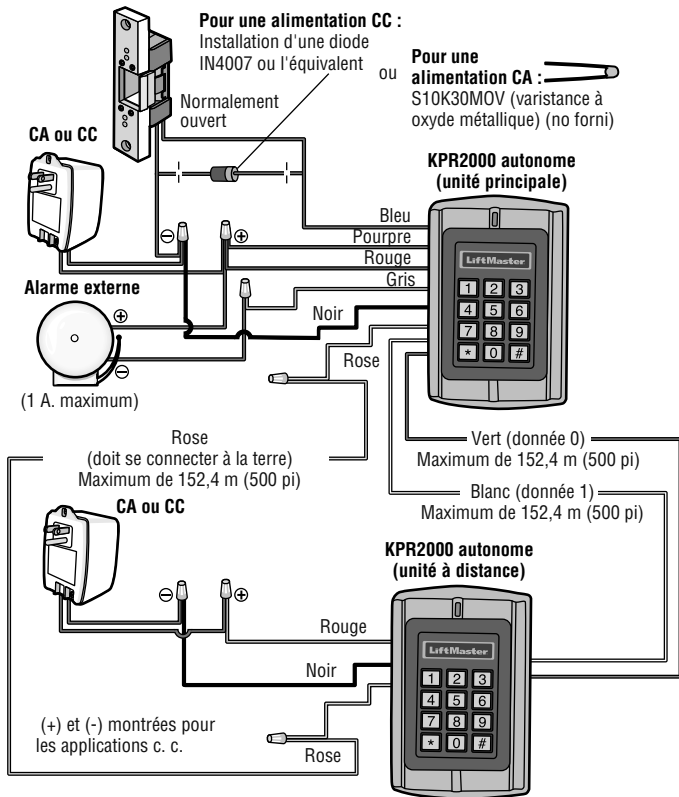


Verrouillage magnétique ou sonnerie d'échec-sécurité



EXEMPLES DE CONNEXIONS :

Mise en réseau de deux unités KPR2000



CONFIGURATION DU KPR200

Changement des paramètres de configuration en fonction de votre logiciel d'application (facultatif). Des paramètres de configurations multiples peuvent être changés en une seule opération : entrez dans le mode utilisateur, changez les paramètres désirés puis sortez du mode utilisateur.

PROGRAMMATION DU CODE MAÎTRE

Le code maître à 6 chiffres est utilisé pour prévenir l'accès non autorisé au système. Pour le connecter au KPR2000, l'administrateur aura besoin du code maître (réglage d'usine : 888888). Nous recommandons fortement de changer et de noter votre code maître.

Étape de la programmation	Configuration du clavier
1. Entrée dans le mode utilisateur	* (Code maître) #
2. Changement du code maître	0 (Nouveau code) # (Nouveau code) #
3. Sortie du mode utilisateur	*

CONFIGURATION DE L'ACCÈS

REMARQUE : Voir la page 6 pour une description de chaque mode de fonctionnement.

Le KPR2000 offre trois types de configurations de l'accès :

Carte ou NIP (par défaut) : L'utilisateur doit d'abord insérer une carte Wiegand valide dans le KPR2000 ou entrer son NIP suivi de la touche Carré pour se voir autoriser l'accès.

Carte seule : L'utilisateur doit insérer une carte Wiegand valide dans le KPR2000 pour se voir autoriser l'accès. Le code d'installation et le numéro d'identification sont tous deux lus et validés comme un bloc de données Wiegand.

Carte et NIP : L'utilisateur doit d'abord insérer une carte Wiegand valide dans le KPR2000 et entrer son NIP suivi de la touche Carré pour se voir autoriser l'accès.

Étape de la programmation	Configuration du clavier
1. Entrée dans le mode utilisateur	* (Code maître) #
2. Lecteur seul OU	3 0 #
2. Carte et NIP OU	3 1 #
2. Carte ou NIP	3 2 #
3. Sortie du mode utilisateur	*

CONFIGURATION DU RELAIS

La configuration du relais configure le fonctionnement de la sortie de relais dès l'activation.

Étape de la programmation	Configuration du clavier
1. Entrée dans le mode utilisateur	* (Master Code) #
2. Mode d'action pulsée OU 2. Mode de verrouillage	4 (1-99) # <i>La durée du relais est de 1 à 99 secondes (5 secondes par défaut)</i> 4 0 # <i>Configure le relais en mode de verrouillage</i> <i>FONCTIONNEMENT/ARRÊT</i>
3. Sortie du mode utilisateur	*

CONFIGURATION DES OPTIONS D'ENTRÉE/DE SORTIE WIEGAND

Le KPR2000 offre des options d'entrée et de sortie pour les appareils Wiegand conformes aux normes de l'industrie (consultez les spécifications). **Le défaut est HID 26 bits.**

Étape de la programmation	Configuration du clavier
1. Entrée dans le mode utilisateur	* (Code maître) #
2. Configuration du format Wiegand	9 (Bit Format) # <i>Format de bit = format valide à deux chiffres (exemple : 26 ou 30)</i>
3. Sortie du mode utilisateur	*

PLACER LA PORTE OUVERTE TROP LONGTEMPS (DOTL) OU FORCÉE ALARME

Ce paramètre permet à la fois DOTL portes et alarmes forcée et nécessite une entrée de capteur externe. Le forcé calendrier de sortie d'alarme de porte peut être réglée de 1-3 minutes (1 minute par défaut). Le calendrier de la porte ouverte trop longtemps (DOTL) est fixé à 1 minute et ne sonne le klaxon intégré. Valeur par défaut est OFF (ARRÊT).

Étape de la programmation	Configuration du clavier
1. Entrée dans le mode utilisateur	* (Code maître) #
2. Alarme DOTL/porte forcée en MODE ARRÊT OU	6 0 #
2. Alarme DOTL/porte forcée en MODE FONCTIONNEMENT	6 1 # (<i>DOTL : L'alarme sonne pendant 1 minute. Porte forcée : l'alarme sonne pendant 1-3 minutes et permet la sortie d'alarme.</i>)
2. Porte activada forcé	9 (1-3) #
3. Sortie du mode utilisateur	*

CONFIGURATION DE L'ALARME DE SUPPRESSION

L'alarme de grève sur engagera après 10 tentatives infructueuses carte / NIP dans une période de dix minutes. Le réglage d'usine par défaut n'est EN ARRÊT. L'alarme strike-out peut être réglée pour interdire l'accès pendant 10 minutes ou bien il peut être défini pour faire fonctionner l'alarme pendant 10 minutes. **REMARQUE** : Entrez le code maître ou carte valide pour faire taire toutes les sorties d'alarme.

Étape de la programmation	Configuration du clavier
1. Entrée dans le mode utilisateur	* (Code maître) #
2. Sonnerie de suppression - EN ARRÊT OU	7 0 # (<i>Réglage d'usine par défaut</i>)
2. Sonnerie de suppression - EN FONCTION OU	7 1 # <i>L'accès sera refusé pendant 10 minutes</i>
2. Strike- Out alarme ON	7 2 #
3. Sortie du mode utilisateur	*

CONFIGURATION D'UNE RÉPONSE AUDIBLE OU VISUELLE

Le réglage d'usine par défaut est EN FONCTION.

Étape de la programmation	Configuration du clavier	
1. Entrée dans le mode utilisateur	* (Code maître) #	
2. Voyant du panneau de contrôle OU	EN FONCTION = 7 5 #	EN ARRÊT = 7 4 #
2. Voyant de contrôle DEL OU	EN FONCTION = 7 7 #	EN ARRÊT = 7 6 #
2. Contrôle des signaux sonores	EN FONCTION = 7 9 #	EN ARRÊT = 7 8 #
3. Sortie du mode utilisateur	*	

CLAVIER MODE SET WIEGAND

Étape de la programmation	Configuration du clavier	
1. Entrée dans le mode utilisateur	* (Code maître) #	
2. Mode du clavier Set OU	6 2 # Mode clavier ASCII	
2. Mode du clavier Set	6 3 # 26 bits carte mode du clavier (par défaut)	
3. Sortie du mode utilisateur	*	

SET 26 BIT CODE FORMAT DES INSTALLATIONS

Étape de la programmation	Configuration du clavier	
1. Entrée dans le mode utilisateur	* (Code maître) #	
2. Code ensemble de l'installation	8 0 # Ignore code site (défaut d'usine) 8 (Code de l'installation) # (1 - 255)	
3. Sortie du mode utilisateur	*	

PROGRAMMATION DES CARTES ET DES NIP

La programmation variera en fonction de la configuration de l'accès. Suivez les instructions qui se rapportent à votre configuration de l'accès.

RENSEIGNEMENTS GÉNÉRAUX SUR LA PROGRAMMATION

- **Numéro d'identification de l'utilisateur** : Attribuez un numéro d'identification de l'utilisateur au code d'accès afin d'effectuer le suivi des cartes d'accès et des NIP de tous les utilisateurs. Le numéro d'identification de l'utilisateur peut être n'importe quel chiffre entre 1 et 2000. **IMPORTANT** : *Les numéros d'identification de l'utilisateur ne nécessitent pas de zéro à gauche. L'enregistrement des numéros d'utilisateurs est cruciale. Les modifications aux données d'utilisateurs exigent soit une carte ou soit un numéro d'identification de l'utilisateur disponible.*
- **Lecteur de proximité** : Tout lecteur de proximité de 125 KHz Wiegand 26 bits conforme aux normes de l'industrie ou lecteur de proximité de Sentex 30 bits.
- **NIP du clavier** : Le NIP peut être composé de n'importe quel nombre de 0000 à 65535 de 4 à 5 chiffres (à l'exception de 1234 qui est réservé pour les tests faits en usine). **IMPORTANT** : *Les NIP en bas du chiffre 1000 doivent être précédés d'un zéro à gauche. Les NIP en haut du chiffre 9999 ne nécessitent pas de zéro à gauche.*

EXEMPLES :

Code NIP 15 = 0015

Code NIP 25 = 0025

Code NIP 9999 = 9999

Code NIP 65431 = 65431

- Tous les utilisateurs de cartes reçoivent automatiquement un code NIP 1234 par défaut qui doit être changée pour être activé.

CONFIGURATION DE L'ACCÈS : CARTE OU NIP, CARTE + NIP, ET CARTE SEULE

AJOUT DE CARTES D'UTILISATEURS

Étape de la programmation	Configuration du clavier
1. Entrée dans le mode utilisateur	* (Code maître) #
2. Ajout d'une carte : Emploi de la saisie automatique du numéro d'identification (<i>permet au KPR2000 d'attribuer une carte au prochain numéro d'identification d'utilisateur disponible</i>)	1 (Lire la carte) # <i>Répétez l'étape 2 pour des cartes d'utilisateurs supplémentaires</i> <i>Voir Remarques 1 et 2.</i>
OU	
2. Ajout d'une carte : Sélection d'un numéro d'identification particulier (<i>permet à l'administrateur de définir un numéro d'identification spécifique pour l'associer à la carte</i>)	1 (Numéro d'identification de l'utilisateur) # (Lire la carte) # <i>Voir Remarques 1 et 2.</i>
OU	
2. Ajout d'une carte : Apprentissage du bloc de données (<i>permet à l'administrateur de connecter jusqu'à 2000 lecteurs au KPR2000 en une seule étape</i>). Cette programmation s'exécute en 2 minutes	5 (Numéro d'identification de l'utilisateur) # (Premier chiffre du code) # (Quantité de cartes) # <i>Quantité de cartes = nombre de cartes à être connectées</i>
3. Sortie du mode utilisateur	* *
† Commande Directe de Programmation par Bloc	Format pour la programmation de numéros spécifiques de lecteurs : Code d'installation + numéro d'identification (incluant le zéro de gauche). Exemple : FAC- 24, ID- 100 devrait être saisi de la façon suivante : 26 bits : 02400100 30 bits : 0000000100 Seul le numéro de série est validé pour les cartes de 30 bits.

SUPPRESSION DE CODES DE CARTES D'UTILISATEURS

Étape de la programmation	Configuration du clavier
1. Entrée dans le mode utilisateur	* (Code maître) #
2. Suppression d'une carte au moyen du numéro d'identification de l'utilisateur OU 2. Suppression d'une carte au moyen d'une carte OU 2. Suppression d'une carte au moyen d'une carte Numéro	2 (Numéro d'identification de l'utilisateur) # <i>La suppression du numéro d'identification de l'utilisateur effacera tous les cartes et les NIP</i> 2 (Lire la carte) # <i>Exige une carte d'utilisateur. Supprime UNIQUEMENT le numéro de la carte</i> 2 (Numéro de la carte) # <i>Supprime UNIQUEMENT le numéro de la carte f</i>
3. Sortie du mode utilisateur	* *
† Commande Directe de Programmation par Bloc	Format pour la programmation de numéros spécifiques de lecteurs : Code d'installation + numéro d'identification (incluant le zéro de gauche). Exemple : FAC- 24, ID- 100 devrait être saisi de la façon suivante : 26 bits : 02400100 30 bits : 0000000100 Seul le numéro de série est validé pour les cartes de 30 bits.

AJOUT OU SUPPRESSION D'UN NIP

Un code NIP peut être programmé pour un indépendant ou un ID utilisateur existant. NIP programmés séparément utilise plus de mémoire.

Étape de la programmation	Configuration du clavier
1. Entrée dans le mode utilisateur	* (Code maître) #
2. Ajout d'un NIP <i>Attribution du NIP au numéro d'identification de l'utilisateur</i> OU 2. Suppression d'un NIP <i>Suppression du numéro d'identification de l'utilisateur et des NIP associés</i>	1 (Numéro d'identification de l'utilisateur) # (NIP) # <i>Répétez l'étape 2 pour des NIP supplémentaires. Voir Remarques 1 et 2.</i> 2 (Numéro d'identification de l'utilisateur) # <i>Répétez l'étape 2 pour des NIP supplémentaires. Voir Remarques 1 et 2.</i>
3. Sortie du mode utilisateur	* *

CHANGEMENT D'UN NIP

Permet à l'utilisateur de la carte pour mettre à jour un code NIP précédemment défini pour une carte et code NIP ou carte + code NIP ID de l'utilisateur. Codes NIP par défaut (1234) ne peuvent être modifiés à l'aide de Modifier le code NIP à l'aide d'une carte. **REMARQUE** : Cette opération est exécutée à partir de l'extérieur du mode de programmation.

Étape de la programmation	Configuration du clavier
1. Changer le code NIP à l'aide d'une carte	* (Lire carte) (Ancien NIP) # (Nouveau NIP) # (Nouveau NIP) #
OU	
1. Changer code NIP en utilisant NIP	* (Numéro d'identification de l'utilisateur) (Ancien NIP) # (Nouveau NIP #) (Nouveau NIP #)

REMARQUE 1 : Lors de l'affectation d'un utilisateur à la fois une carte et un code NIP, la carte doit être attribué en premier. Après que la carte est affectée, l'utilisateur doit changer le code NIP en utilisant la carte pour activer le code NIP pour cet utilisateur. Si le code NIP est attribué premier, un deuxième ID utilisateur doit être utilisé pour attribuer la carte.

REMARQUE 2 : Lors de l'ajout ou la suppression de plusieurs utilisateurs de façon séquentielle, la commande de programme (1 ou 2, respectivement) est inscrit uniquement au début de la procédure. Pour les utilisateurs supplémentaires, entrez l'ID utilisateur et mot dans le même ordre que la première entrée. Lorsque la séquence est terminée, l'étape de programmation est terminée en appuyant * une fois.

EXEMPLE : Pour ajouter plusieurs utilisateurs

Étape de la programmation	Configuration du clavier
1. Entrée dans le mode utilisateur	* (Code maître) #
2. Ajouter plusieurs utilisateurs	1 (Numéro d'identification de l'utilisateur 1) # (NIP1) #, (Numéro d'identification de l'utilisateur 2) # (NIP2) #, (Numéro d'identification de l'utilisateur ID 10) # (NIP10) #
3. Sortie du mode utilisateur	* *

CONFIGURATION DE L'ACCÈS : CARTE SEULE

UTILISATION DES CARTES DE L'ADMINISTRATEUR

Les administrateurs d'un KPR2000 peuvent utiliser des cartes d'administrateurs pour programmer des cartes d'utilisateurs pour le système interne ou pour des dispositifs extérieurs. L'appareil est équipé de deux cartes d'administrateur préprogrammées (une carte d'extension et une carte de suppression de l'administrateur) pour permettre un embrayage rapide du lecteur. Il s'agit d'un type d'embrayage de la saisie automatique du numéro d'identification de l'utilisateur et n'est possible qu'avec la configuration « Carte seule ».

Étape de la programmation	Configuration du clavier
Ajout d'une carte d'utilisateur	1. (Lire la carte d'extension de l'administrateur) 2. (Lire la carte de l'utilisateur) <i>Répétez l'étape 2 pour des cartes d'utilisateurs supplémentaires</i> 3. (Lire la carte d'extension de l'administrateur)
Suppression d'une carte d'utilisateur	1. (Lire la carte de suppression de l'administrateur) 2. (Lire la carte de l'utilisateur) <i>Répétez l'étape 2 pour des cartes d'utilisateurs supplémentaires</i> 3. (Lire la carte de suppression de l'administrateur)

ALARME

RÉINITIALISATION DE L'ALARME

Étape de la programmation	Configuration du clavier
Pour réinitialiser l'avertissement d'une porte restée ouverte involontairement	(Lire une carte valide) OU (Code maître) #
Pour réinitialiser l'avertissement d'une porte restée ouverte trop longtemps (DOTL)	(Lire une carte valide) OU (Code maître) #

ALARME ANTI-PIRATAGE

Le KPR2000 utilise un capteur optique comme entrée de son alarme interne. Si l'enceinte de l'opérateur est ouverte pendant que le KPR2000 est en fonction, l'alarme se déclenche. Entrez le code maître ou d'une carte valide de faire taire toutes les sorties d'alarme.

RÉINITIALISATION DU KPR2000

Cette opération réinitialisera le KPR2000 selon les réglages d'usine par défaut, mais l'information sur les cartes et les NIP sera conservée. Cette opération exigera également la reprogrammation des cartes d'extension et de suppression de l'administrateur. **REMARQUE** : *Il s'agit d'une opération utile si les cartes d'extension et de suppression de l'administrateur originales ont été perdues.*

Étape de la programmation	Configuration du clavier
Réinitialisera le KPR2000 selon les réglages d'usine par défaut	<ol style="list-style-type: none"> 1. Mettre le KPR2000 hors tension. 2. Appuyez et maintenez enfoncé le bouton * pendant que le KPR2000 est remis sous tension. 3. Relâcher le bouton et attendre jusqu'à ce que le voyant DEL jaune s'allume. 4. Présentez au KPR2000 n'importe quel lecteur de proximité de 26 bits ou une carte d'extension de l'administrateur (fournie). Cette carte est maintenant la carte d'extension de l'administrateur. 5. Présentez au KPR2000 n'importe quel lecteur de proximité de 26 bits ou une carte de suppression de l'administrateur (fournie). Cette carte est maintenant la carte de suppression de l'administrateur. <p>La réinitialisation du KPR2000 est réussie lorsque le voyant DEL rouge commence à clignoter.</p>

EFFACEMENT DE TOUS LES CODES

Étape de la programmation	Configuration du clavier
Cette opération effacera TOUTES les données d'utilisateurs.	<ol style="list-style-type: none"> 1. Entrez dans le mode utilisateur en appuyant sur : * (Code maître) #. 2. Appuyez sur 2 0000 #. 3. Sortie du mode utilisateur en appuyant sur : **. <p>Toutes les configurations de données sont conservées.</p>

SIGNAUX SONORES ET VOYANTS

État du fonctionnement	Voyant DEL rouge	Voyant DEL vert	Voyant DEL jaune	Sons
Sous tension	Clignotant			Bip unique et court
Mode veille	Clignotant			
Appuyez sur le clavier	Clignotant			Bip unique et court
Attente de 5 secondes	Clignotant			3 bips courts
Entrez le code maître - Mode d'entrée	Sous tension			Bip unique et court
En mode utilisateur	Sous tension	Clignotant unique		Bip unique et court
Étape de programmation unique effectuée avec succès	Sous tension	Clignotant unique		Bip unique et court
Étape de programmation continue effectuée avec succès		Clignotant unique	Sous tension	Bip unique et court
Étape de la programmation entrée incorrectement			Sous tension	3 bips courts
Sortie du mode utilisateur	Clignotant			Bip unique et court
Entrée autorisée		Sous tension		Bip unique et court
Mode d'alarme en fonction	Clignotant			Alarme
Appuyer sur * fait basculer entre le mode Veille et la saisie du code maître	Sous tension/ Clignotant			Bip unique et court
Réinitialisera selon les réglages d'usine par défaut	Sous tension			2 bips courts

L'ASSISTANCE TECHNIQUE :
1-800-528-2806