

VisionFrame™

video monitor wall

robust video monitor wall system
application engineered for unparalleled
monitor support

features:

- Assembles quickly and easily
- Integral cable management channels
- Designed to meet the specific needs of each installation
- Walls can be designed up to 13' 3" high, with limitless width
- Freestanding and Deskmount models available
- Power strips mount directly to the frame
- ETL Listed in the US and Canada



specifications:

Patented VisionFrame™ video monitor wall shall be Middle Atlantic Products model # VFMS-_(D for Deskmount, F for Freestanding). Overall Dimensions of the Video wall shall be ___"W x ___"H" (dimensions determined by layout; not to exceed 13' 3" in height, no limit on width). Video monitor wall shall support ___ 10" to 80" monitors (determined by layout) on _____ mounts (tilting, articulating). Video monitor wall shall be constructed of 3.5" x 5.25" Horizontal and 1.375" x 4.5" Vertical 6005-T5 Aluminum extrusions with internal cable management provisions. Video monitor wall shall be finished in a durable black powder coat. Mounts shall conform to the VESA FDMI standard. Freestanding video monitor wall shall be fastened to the floor and to the wall. Deskmount Video wall shall be fastened to a ViewPoint™ Series console or LD Series LCD desk, shall be the width of the bay, and be a maximum of 80" in height. Video monitor wall shall be ETL Listed to UL Standard 962 in the US and to CAN/CSA C22.2 No. 0-M91 in Canada. Video monitor wall shall be GREENGUARD Gold Certified. Video monitor wall shall be RoHS EU Directive 2002/95/EC compliant. Video monitor wall shall be manufactured by an ISO 9001 and ISO 14001 registered company. Video monitor wall shall be warranted to be free from defects in material or workmanship under normal use and conditions for the lifetime of the system.

Customizable specification clips available at middleatlantic.com



PRODUCT CERTIFIED FOR
LOW CHEMICAL EMISSIONS
UL.COM/GG
UL 2818

US PATENT# 8, 505, 860

options:

- Three rackspace rear hanging mount shall be model # VF-VPM-3
- Accessory panel mount shall be model # VF-MPV

what **great systems** are built on.™

A Group brand | **legrand**

Middle Atlantic Products

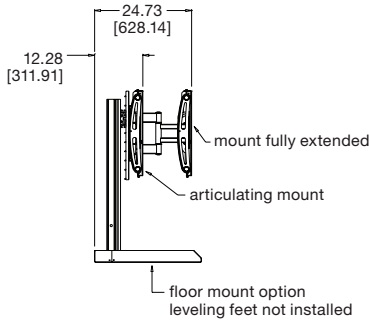
middleatlantic.com | middleatlantic.ca

96-01146 / rev 1b / 12-16-13

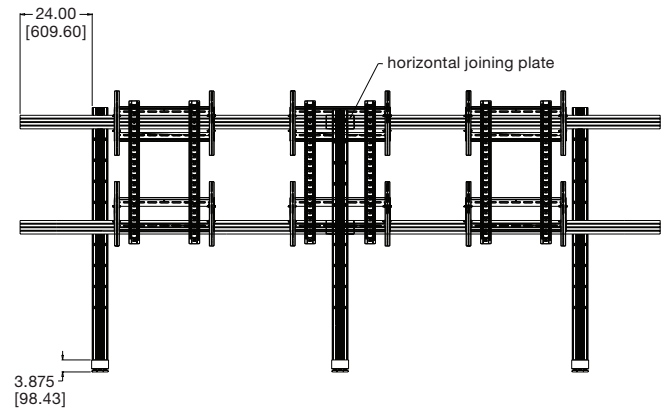
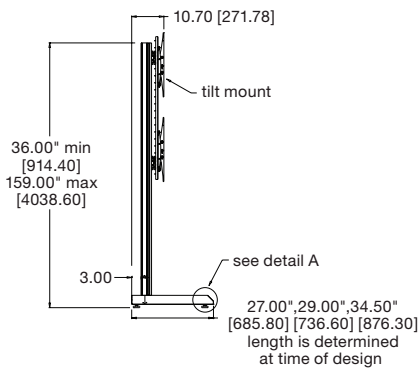
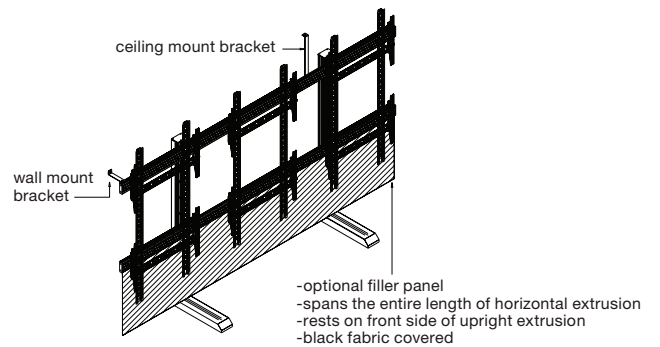
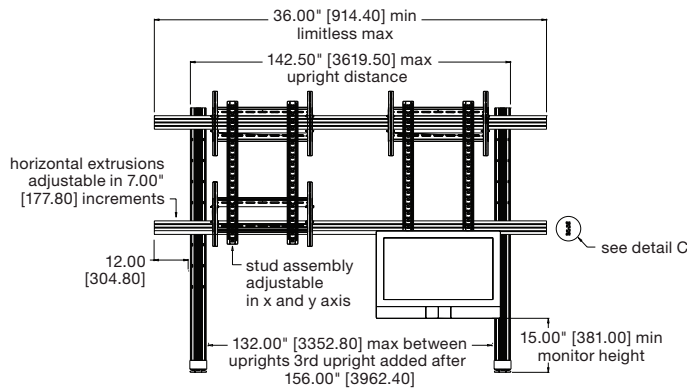
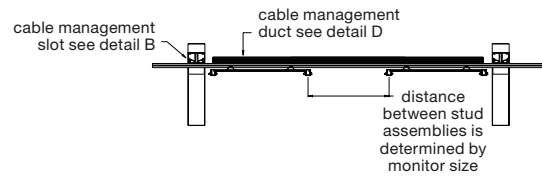
VisionFrame™

free standing video wall basic dimensions

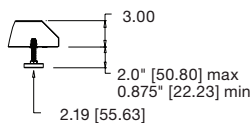
all dimensions in inches unless otherwise noted [all dimensions in brackets are in millimeters]



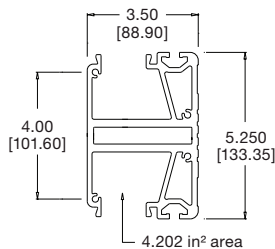
Note: The monitor wall systems shown in this document are representative examples only. Please see Middle Atlantic Designer™ software to design your specific wall system.



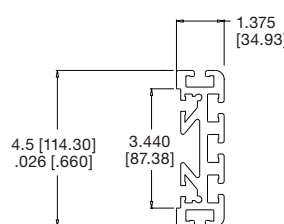
detail a



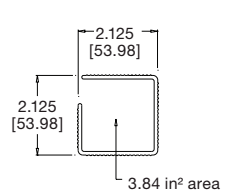
detail b



detail c



detail d



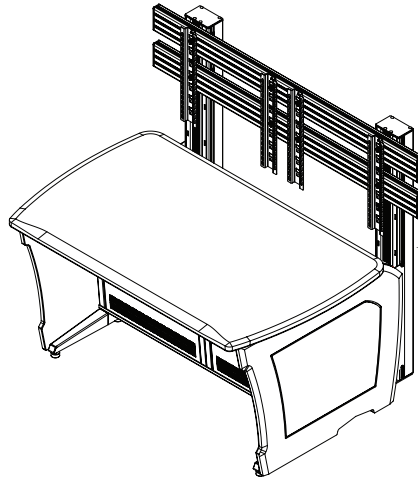
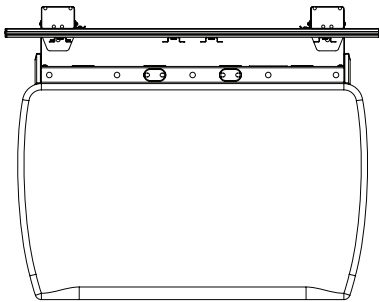
what great systems are built on.™

VisionFrame™

desk wall basic dimensions

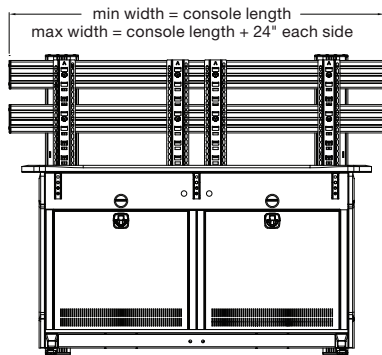
all dimensions in inches unless otherwise noted [all dimensions in brackets are in millimeters]

top view

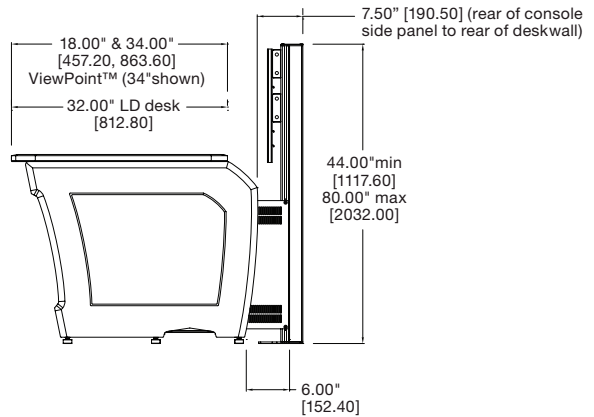


deskwall compatible with
LD Series LCD desk and ViewPoint™
console (shown) in the following sizes:
- 36", 48" and 72" (ViewPoint)
- 48" and 64" (LCD series desk)

front view



side view

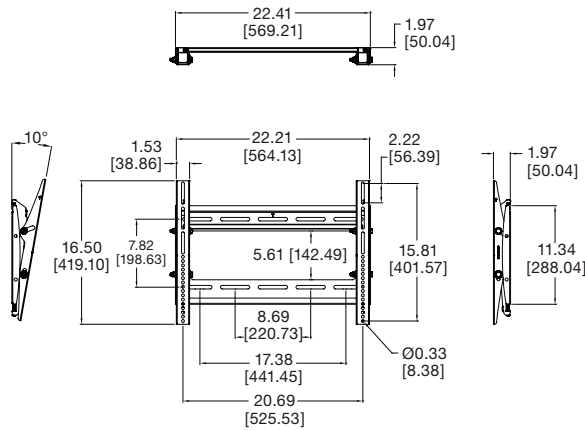


VisionFrame™

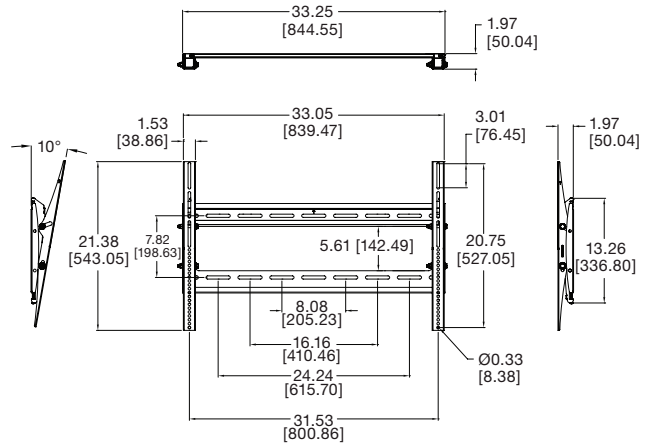
monitor mounts basic dimensions

all dimensions in inches unless otherwise noted [all dimensions in brackets are in millimeters]

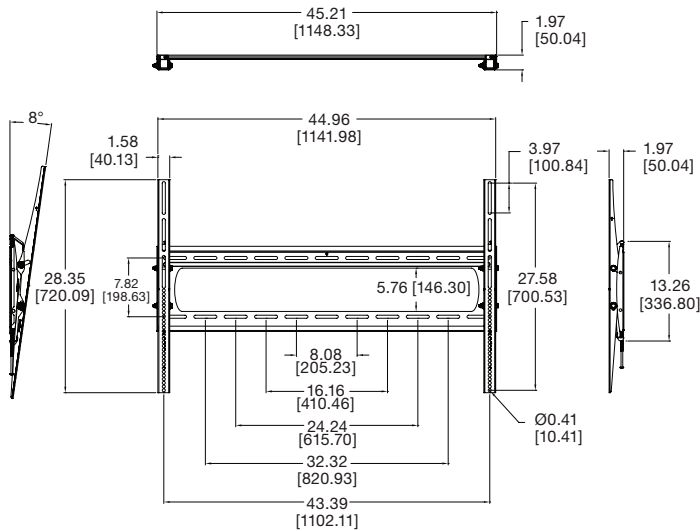
VFMS-25X40T
25"-40" Monitor Range
130 lbs. Max



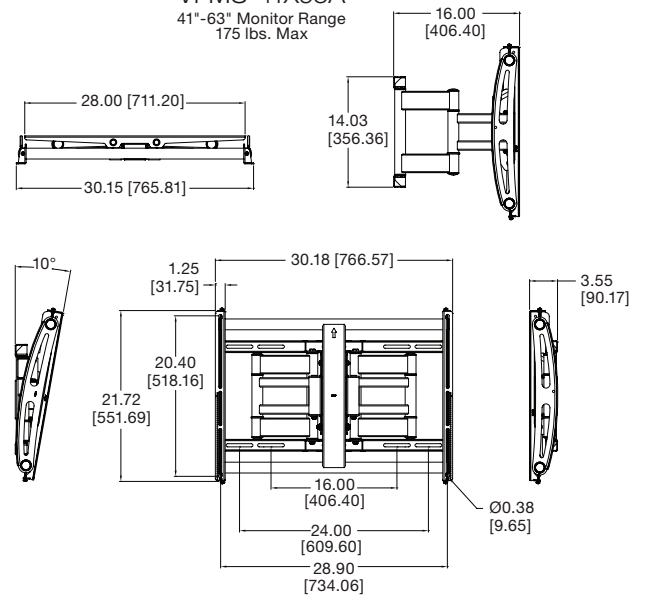
VFMS-41X63T
41"-63" Monitor Range
175 lbs. Max



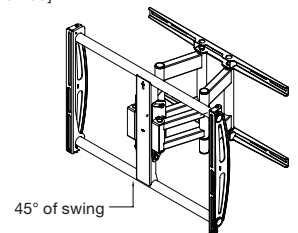
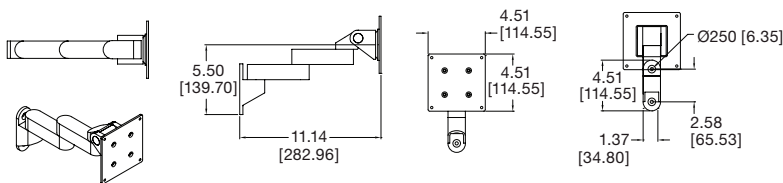
VFMS-64X80T
64"-80" Monitor Range
300 lbs. Max



VFMS-41X63A
41"-63" Monitor Range
175 lbs. Max



VFMS-10X24A
10"-24" Monitor Range
45 lbs. Max



what great systems are built on.™

A Group brand | **legrand**

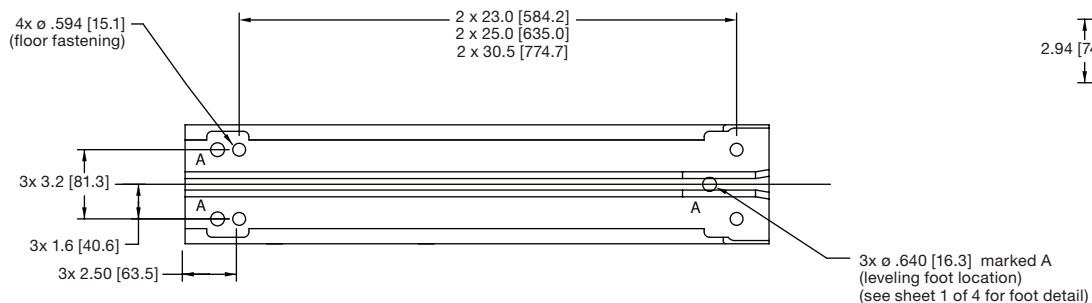
MA
Middle Atlantic Products
middleatlantic.com | middleatlantic.ca

VisionFrame™

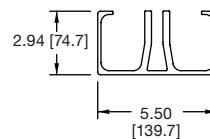
base basic dimensions

all dimensions in inches unless otherwise noted [all dimensions in brackets are in millimeters]

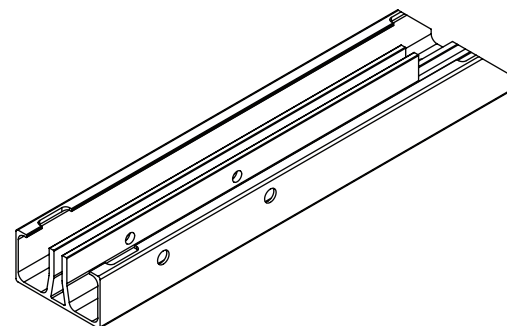
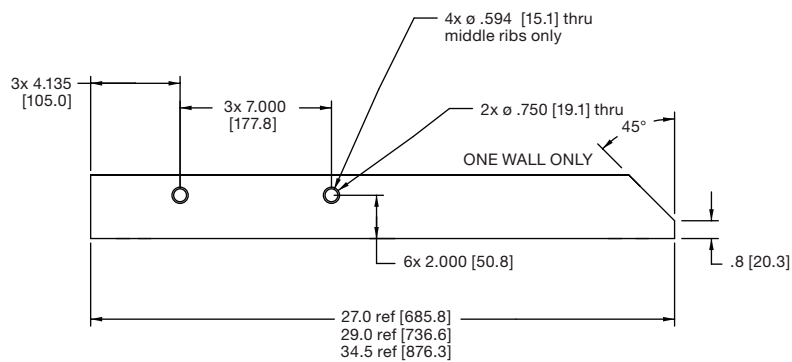
top view



back view



side view



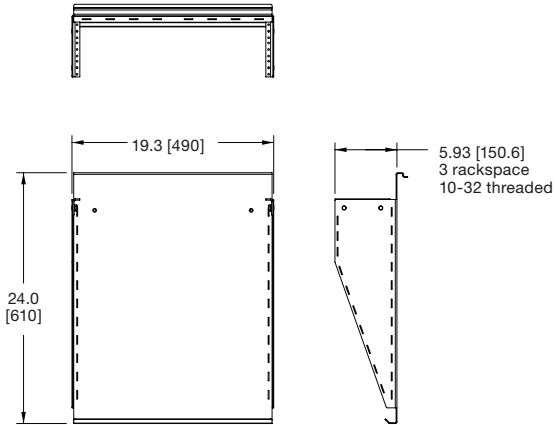
NOTE:
Base length is determined at time of design

VisionFrame™

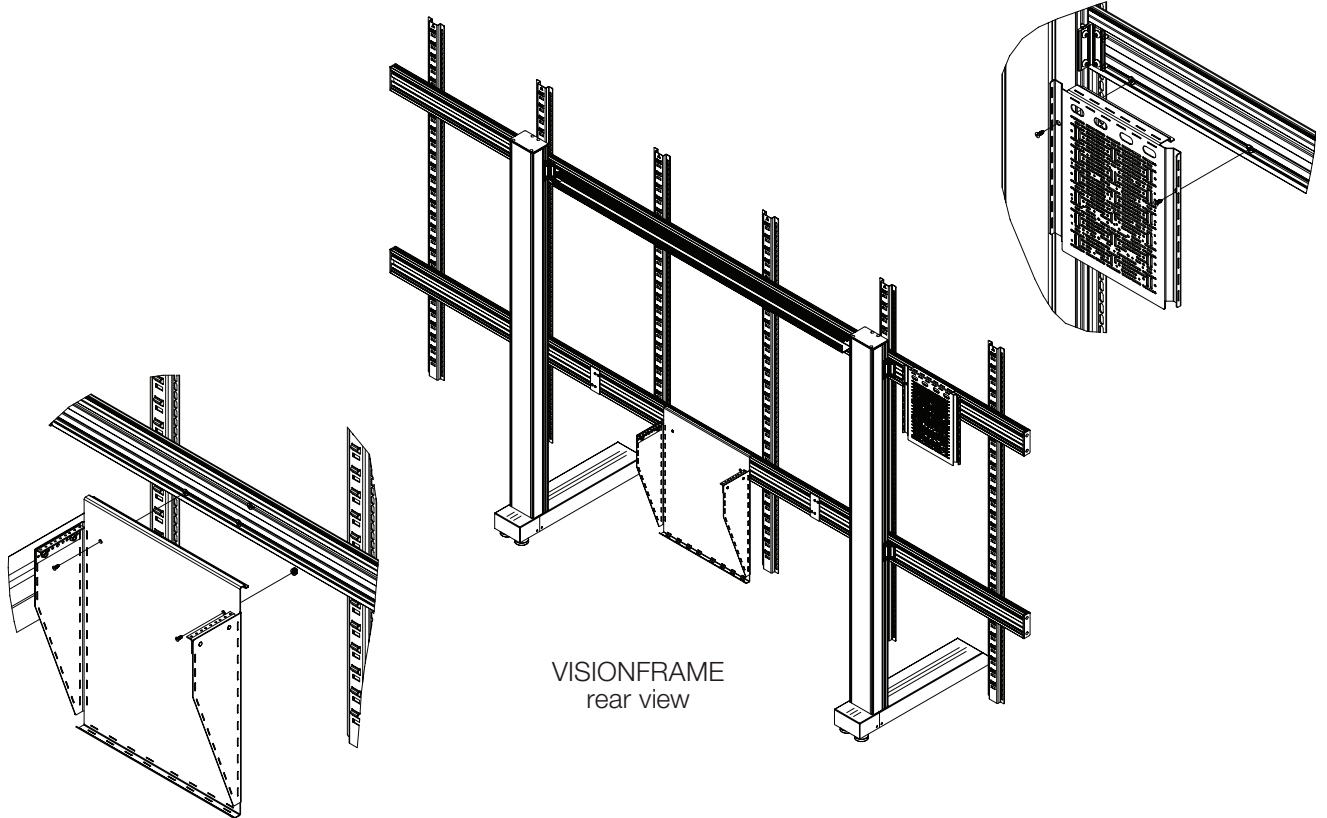
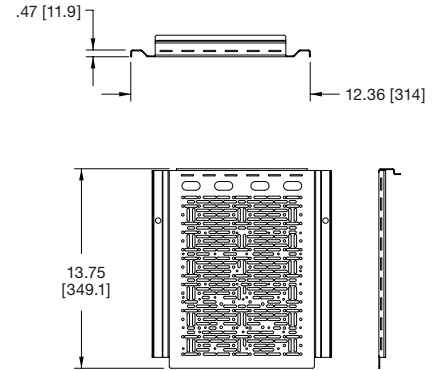
base basic dimensions

all dimensions in inches unless otherwise noted [all dimensions in brackets are in millimeters]

VF-VPM-3



VF-MPV



what **great systems** are built on.™