

HDMI® Extender Transmitter & Receiver

Extends transmission up to 70 meters, includes HDBaseT™ technology with bi-directional PoH

APPLICATION

Extend HDMI signals up to 70 meters (230 feet) over a single category-rated cable for applications in classrooms, conference rooms, control centers, and public venues where reliable high-definition video is needed. The certified HDBaseT technology supports a complete professional plug-and-play installation that includes HD video, bi-directional, power, bi-directional IR, multi-channel audio, and RS-232 control.



Transmitter — front



Transmitter — back



Receiver — front



Receiver — back

SPECIFICATION

70m HDMI extender shall be HDBaseT certified and deliver uncompressed HD video, 3D, and 2K x 4K over a single category cable with multi-channel audio supporting all standard formats including Dolby Digital, DTS, Dolby TrueHD, and DTS HD-Master Audio. Resolution capability shall be 1080p 36 bit deep color at 60Hz with VESA resolutions up to 1920 x 1200 at 60Hz up to 70 meters (230 feet) and 4K ultra-high definition up to 2160p 24 bit true color at 30Hz with 4K chroma subsampling color palette 4:2:2 up to 40 meters (131 feet). Shall be compatible with and support key features of HDMI 1.4 including EPG, CEC, EDID, and HDCP. Extenders shall include bi-directional PoH (power over HDBT), IR, RS-232, and locking features for HDMI and power input connections. Extender transmitter and receiver shall have a metal enclosure and include mounting brackets. Extender set shall also include RS-232 interface cables (2) and DC power adapter with a set of interchangeable international input plugs.

Page 1 of 2

FEATURES

- HDBaseT Alliance certified
- Delivers full uncompressed HD video, 3D, and 2K x 4K over a single category cable with multi-channel audio supporting all standard formats, including Dolby Digital, DTS, Dolby TrueHD, and DTS HD-Master Audio
- Resolution capability:
 - 1080p 36 bit deep color at 60Hz and VESA resolutions up to 1920 x 1200 at 60Hz up to 70 meters (230 feet)
 - 4K ultra high definition up to 2160p 24 bit true color at 30Hz with 4K chroma subsampling color palette 4:2:2 up to 40 meters (131 feet)
- Compatible with and supports key features of HDMI 1.4 including EPG, CEC, EDID, and HDCP
- Bi-directional PoH (power over HDBaseT) allows use of a single power supply located at either the source or display
- Compact transmitter and receiver modules
- Locking features for HDMI and power input connectors
- Receiver (-HTR) available separately for use with other HDBaseT certified transmitters
- Tested to UL 2043 as suitable for use in air-handling spaces per NEC 300-22(b)(c)

DESIGN CONSIDERATIONS

- Use HDBaseT Alliance certified Category 6A cable system with alien crosstalk prevention technology
- Use 41910-HIR IR emitter and target kit for bi-directional control

STANDARDS COMPLIANCE

- HDBaseT Alliance, FCC, CE
- UL 2043 compliant for plenum spaces

PHYSICAL SPECIFICATIONS

Dimensions:	106 mm W x 28 mm H x 97 mm D 4.17" W x 1.10" H x 3.82" D
Materials:	Ventilated metal enclosures
Power input:	100-240VAC 50/60Hz
Power output:	24VDC 1.25A
Temperature:	0°C to 50°C (32°F to 122°F)

COUNTRY OF ORIGIN

China



WARRANTY INFORMATION

For a copy of Leviton product warranties, visit www.leviton.com/warranty.

Leviton Network Solutions
2222 - 222nd St. SE
Bothell, WA 98021-4416

tel 1-800-824-3005
tel +1-425-486-2222
appeng@leviton.com
www.leviton.com

Asia / Pacific
T +1.631.812.6228
E infoasean@leviton.com

Europe
T +44.0.1592.772124
E customerservice@brand-rex.com

Canada
T +1.514.954.1840
E pcservice@leviton.com

India / SAARC
T +971.4.886.4722
E infoindia@leviton.com

Caribbean
T +1.954.593.1896
E infocaribbean@leviton.com

Mexico
T +52.55.5082.1040
E lsamarketing@leviton.com

China
T +852.2774.9876
E infochina@leviton.com

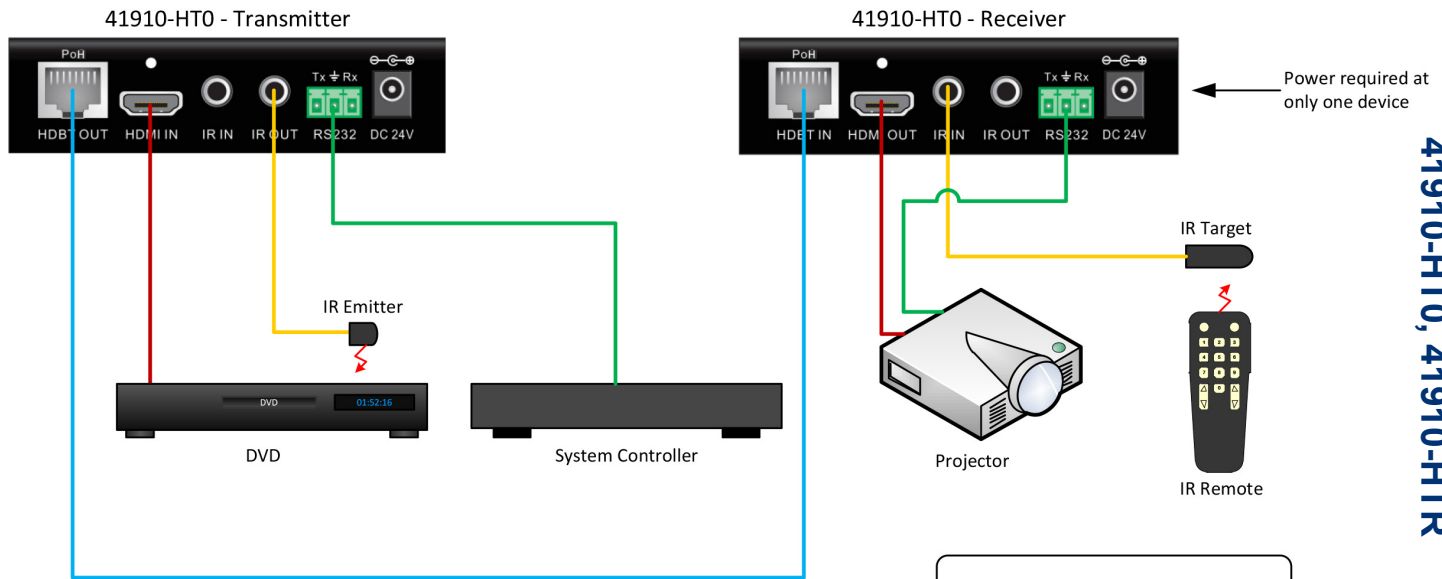
Middle East & Africa
T +971.4.886.4722
E lmeinfo@leviton.com

Colombia
T +57.1.743.6045
E infocolombia@leviton.com

South Korea
T +82.2.3273.9963
E infokorea@leviton.com

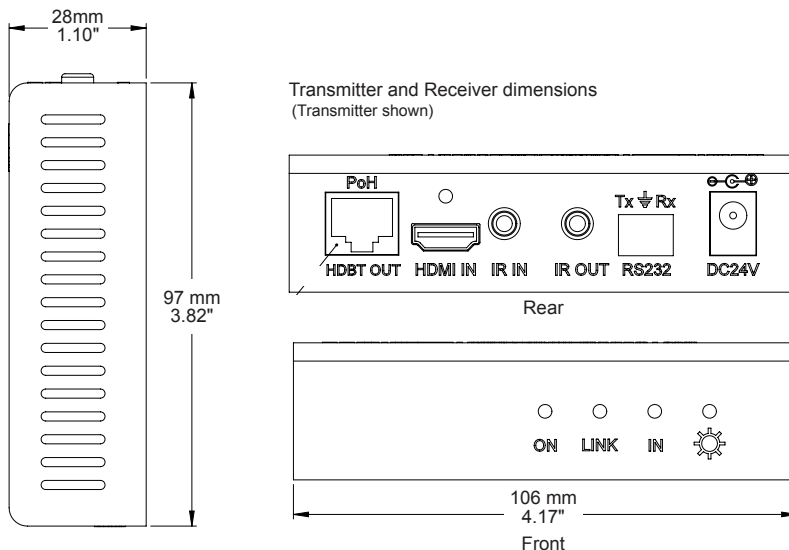
ELECTRONIC FILES

For CAD files, typical specs, or technical drawings (.DXF, .DWG), visit www.leviton.com.



41910-HT0, 41910-HTR

Common application with HDMI® Extender with HDBaseT™



PART NUMBERS

Description	Part No.
HDMI® Extender with HDBaseT™, Transmitter and Receiver, 70 meters	41910-HT0
HDMI Extender with HDBaseT, Receiver only, 70 meters	41910-HTR



Leviton Network Solutions 2222 - 222nd St. SE Bothell, WA 98021-4416 tel 1-800-824-3005 tel +1-425-486-2222 appeng@leviton.com www.leviton.com	Asia / Pacific T +1.631.812.6228 E infoasean@leviton.com	Canada T +1.514.954.1840 E pcservice@leviton.com	Caribbean T +1.954.593.1896 E infocaribbean@leviton.com	China T +852.2774.9876 E infochina@leviton.com	Colombia T +57.1.743.6045 E infocolombia@leviton.com
	Europe T +44.0.1592.772124 E customerservice@brand-rex.com	India / SAARC T +971.4.886.4722 E infoindia@leviton.com	Mexico T +52.55.5082.1040 E lsamarketing@leviton.com	Middle East & Africa T +971.4.886.4722 E lmeinfo@leviton.com	South Korea T +82.2.3273.9963 E infokorea@leviton.com