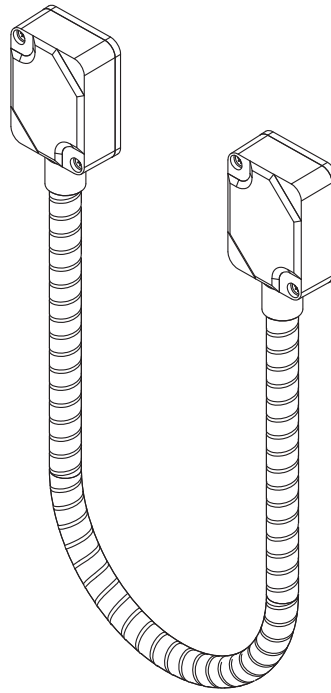
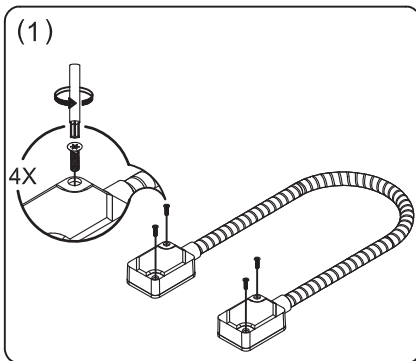


DC-HD-16 Power Transfer Door Loop Installation Instructions

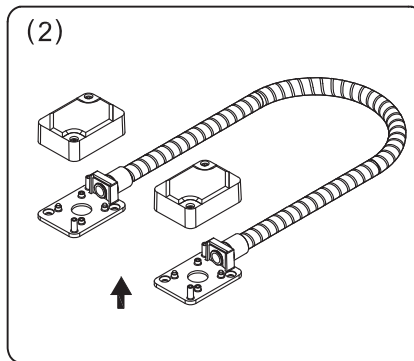


DC-HD-16

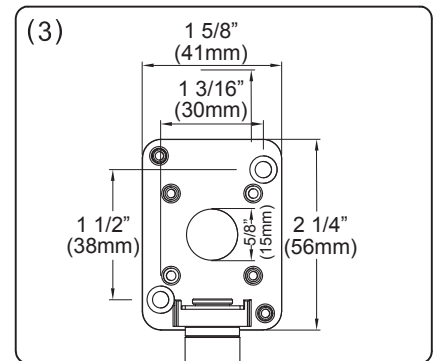
Installation Steps



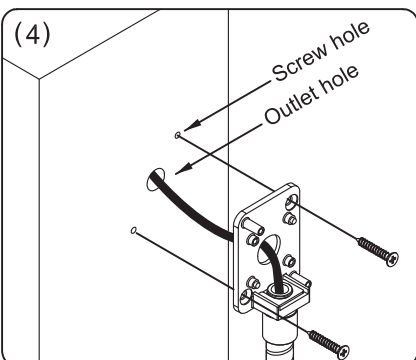
(1) Remove the security screws using the enclosed tool.



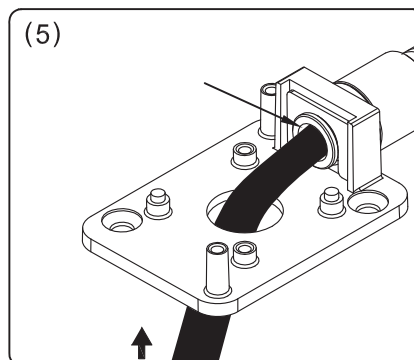
(2) Remove the head covers.



(3) Position the two end caps where you plan to mount them and mark the holes on the door and frame.

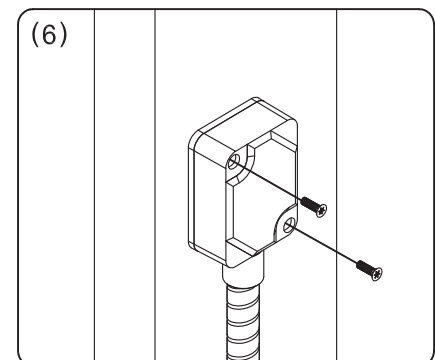


(4) Drill holes in the marked positions, and secure the two ends by using 4x25 screws.
Screw hole diameter: 1/8" (3.3mm)
Outlet hole diameter: 1/2" (12mm)



(5) Connect the wire to each end of the loop and test the unit.

Inside diameter: 3/8" (9mm)



(6) Mount the head covers and tighten the screws.

For details regarding the limited warranty:

Customer Service

1-877-671-7011

www.allegion.com/us

LOCKNETICS


ALLEGION

© Allegion 2017
47259493 Rev 10/17-a