

# Intelliprox Blue™

## 1-Door Bluetooth® Controller ...with Option of 2nd Reader

DATA SHEET

Offered in convenient Kit form!



### 1-Door Controller manages one door with In/Out capability when using NXT Readers

One reader included in kit - Second reader can be purchased separately

- 1,000 Cardholders, 2,500 Event Buffer
- Bluetooth® Connection from **Intelliprox Blue App**
- App available on Google Play and App Store
- LED lighting on the board indicating Bluetooth Broadcast and Cardholder Enrollment
- No monthly maintenance charges or App fees
- Manual Door Unlock, Adjustable Door Unlock Time and Auto-Unlock Schedule are several of the many functions available from the Intelliprox Blue App
- Door Held Open and Door Forced Open sensing
- RTE and Doors Switch connections
- Low power consumption
- Supports Android / iOS devices
- Simple installation tools and instructions
- CE, FCC, RCM, CE-Red and IC certifications

*\*Options: See ordering information on reverse side for specific kit details and other options.*

The **Intelliprox Blue** controller is an economical, Bluetooth-enabled, single-door access controller designed to grant access to a single point of entry. By using Keri's exit readers in parallel with standard entry readers, both ingress and egress may be attained at a protected door. Intelliprox Blue was designed for quick implementation and ease of use, through a programming and control app that is available for free in either iOS or Android. The units are programmed wirelessly through the use of a bluetooth connection, so the only requirement is the app (loaded on a smartphone), and proximity to the controller via Bluetooth, with a mobile device.

Multiple controllers may be programmed and controlled by a single smart device, one-at-a-time. Database details may be transferred from one Intelliprox Blue to another easily, using the smartphone as a managing medium. However, each database is unique and controllers do not communicate with one another, or in groups. With 1000 cardholder capacity and a 2500 event buffer, Intelliprox Blue may be all the access control a facility needs when lower numbers of doors are controlled. Intelliprox Blue offers all you need for single-door, basic access control, including: Door Sense, Door Held, Access Granted, Access Denied, Manual Lock/Unlock, Adjustable Lock/Unlock Times and Door Schedules. All this is provided in an easy to install, easy to manage, cost effective package.



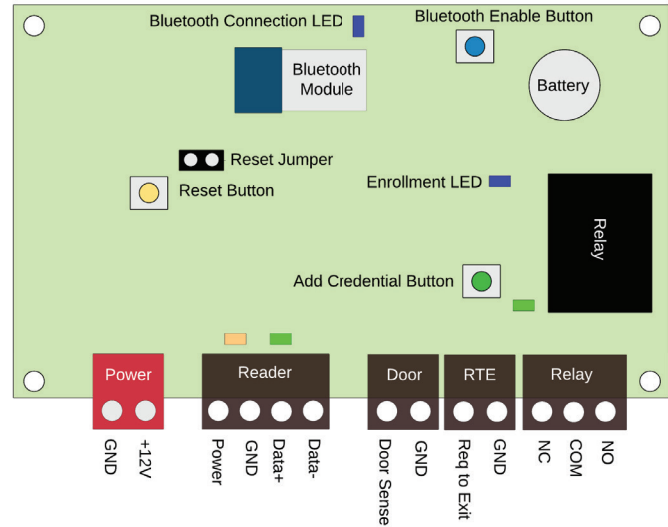
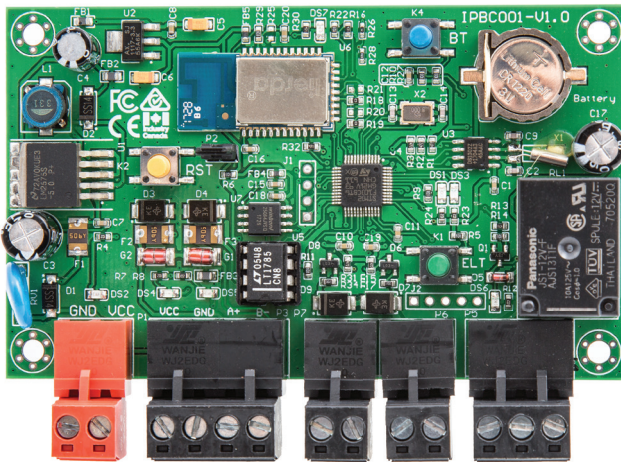
2305 Bering Drive • San Jose, California 95131  
408-435-8400 • Toll Free: 800-260-5265 • Fax: 408-577-1792

email: [sales@kerisys.com](mailto:sales@kerisys.com) • web: [www.kerisys.com](http://www.kerisys.com)

# Intelliprox Blue™

1-Door Bluetooth® Controller ...with Option of 2nd Reader

DATA SHEET, Page 2 of 2



## SPECIFICATIONS:

**Small Enclosure Size:**  
2.75" H x 4.25" W x 1.32" D

**Full Enclosure Size:**  
7.25" H x 6.6" W x 1.8" D

**PC Board, No Enclosure Size:**  
2.36" H x 4.0" W x 0.78" D

**Input Voltage:**  
+ 12 VDC nom. (9-15 VDC)

**Current Draw:**  
INT-BLU – 250 mA

**Inputs (2):**  
Door Contact Switch  
Request to Exit

**Outputs:**  
1.0 amp (24 VDC max.)  
dry circuit

**Reader Capacity:**  
2 with NXT Readers \*  
(NXT-xR/NXT-xRE)

**Buffer Capacity:**  
1,000 Cardholders  
2,500 Events

**Temperature / Humidity:**  
General or with Lead  
Acid Battery  
-40°F to 140°F  
(-40°C to 60°C)  
0-90% Non-Condensing

**Communication:**  
Bluetooth v4.2 BLE  
(Bluetooth Low Energy)

**Lithium Battery:**  
5 years Memory Retention

*Note: Specifications are subject to change without notice.*

## ORDERING INFORMATION:

Model #	Description
IP-BLUE-3R-KIT	Intelliprox Blue Kit with both enclosures, (1) NXT-3R reader, (1) PSC-35 1.8A power supply, (3) NXT-C & (2) NXT-AP
IP-BLUE-5R-KIT	Intelliprox Blue Kit with both enclosures, (1) NXT-5R reader, (1) PSC-35 1.8A power supply, (3) NXT-C & (2) NXT-AP IP-BLUE
IP-BLUE-NE	Intelliprox Blue Board, No Enclosure
IP-BLUE-EU-KIT	Same as 3-R Full kit (above) with European power supply

## RELATED PRODUCTS:

Model #	Description
NXT-1R	EuroMount NXT Proximity Reader for NXT Controllers, access/entry version
NXT-1RE	EuroMount NXT Proximity Reader, exit/egress version
NXT-3R	Mullion Mount NXT Proximity Reader for NXT Controllers, access/entry version
NXT-3RE	Mullion Mount NXT Proximity Reader for NXT Controllers, exit/egress version
NXT-5R	Wall Mount NXT Proximity Reader for NXT Controllers, access/entry version
NXT-5RE	Wall Mount NXT Proximity Reader for NXT Controllers, exit/egress version

Presented By:

