

Electromagnetic Door Holder/Releases

Door Control for Fire and Smoke Barrier Doors and Other Remote Door Release Applications



RIXSON
ASSA ABLOY

ASSA ABLOY, the global leader
in door opening solutions

ELECTROMAGNETIC DOOR HOLDER/RELEASES

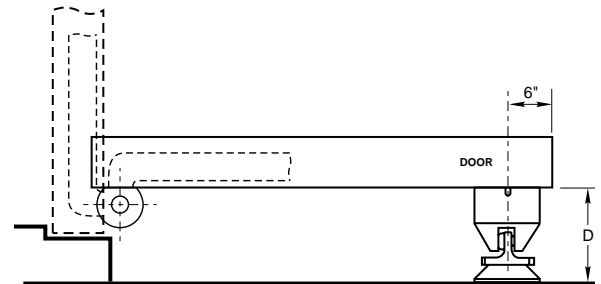
HOW TO SELECT PRODUCT

Prior to determining the product you will need to use, begin by looking at the door and perpendicular wall relationship.

- Measure the distance. That will give you the "D" dimension. Select from chart A.

CHART A

If the distance from wall to door is: "D"	Use
7/16" (11)	989
1-13/16" (46)	990
2-5/8" (67)	997
3-5/8" (92)	998
3-3/4" (95)	994
4-1/8" (105)	996
4-3/8" (111)	999
5-1/8" (130)	998 x XK996
6-5/8" (168) min. distance from wall	980
6-3/4" distance between doors	981



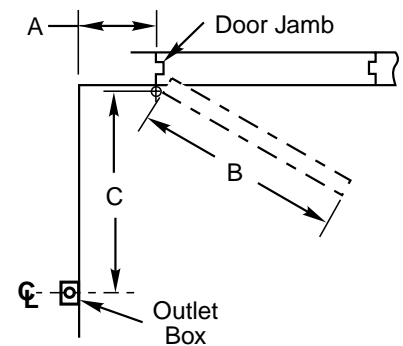
900 base has a minimum: 1-1/2" (38mm) extension. Maximum: 10" using combination of spacers [1/2" (13mm), 3/4" (19mm), etc.] Longer armature projections may encourage abuse and/or the weight of the extended rods will pull off the face of the door.

CHART B

Junction box location should always be as close as possible to the door pull/lever/knob.

A position horizontally farther toward the hinge edge will dramatically lessen the hold open force of the magnet.

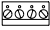
A mounting too high on the vertical plane (top of door) will make it more difficult to pull out of hold open.



Refer to Diagram B

- How far is the centerline of the pivot/hinge from the wall? "A" dimension
- What is width of door? "B" dimension
- At what degree is the door opening? If this dimension is more than 100° consult template. The armature has a few degrees of adjustment but, before proceeding verify with the product template
- Dimension "C" is from pivot point to junction box centerline

FEATURES

- 25 to 40 pounds holding power, except where noted
- Fail-safe operation; power failure releases door to close
- Positive release button initiates closing motion
- Tri-volt coils on most models see 
- Spotting template included
- For stronger holding forces (50-55 lbs.) specify model and voltage. Not available in tri-volt coils

CERTIFICATIONS



All Rixson® electromagnetic door holder/releases are in compliance with ANSI/BHMA A156.15 Standards. See individual products for sub sections.

- All units UL/ULC listed
- All units listed by California State Fire Marshal

LIMITED WARRANTY

Rixson® electromagnetic door holder/releases are warranted for 2 years for defect. See Rixson® Price Book for specific details of the limited warranty.

SPECIFICATIONS

All electromagnetic door holder/releases shall be supplied by architectural hardware supplier. All units shall have a single coil to accommodate 12VDC, 24VAC, 24VDC and 120VAC. The coils shall be independently wound, employing a fuse. Armatures will have positive release button.

ELECTROMAGNETIC DOOR HOLDER/RELEASES FLOOR MOUNTED

MODEL 980

Application

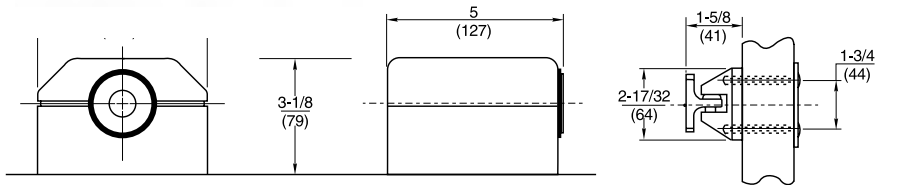
- Floor Mount
- Single Door
- ANSI/C00021

Product Description & Features

- Concealed Wiring
- Total Floor Space Required: 6-5/8" (168mm)
- Mounting Requirements: Conduit connects directly to floor plate

Technical Information

- Voltage and Current:
 - 120VAC, 60 Hz., .020 amp
 - 24VAC/DC, 60 Hz., .020 amp
 - 12VDC, .040 amp
- For 50-55 lbs. of holding force, specify voltage
 - 120VAC, 60Hz .017 amp
 - 24VAC, 60Hz .080 amp
 - 24VDC, .068amp
 - 12VDC, .180amp
 - 240VAC, 50/60Hz. .009 amp
- Shipping Weight: 4 lbs. (1.8 kg)



MODEL 981

Application

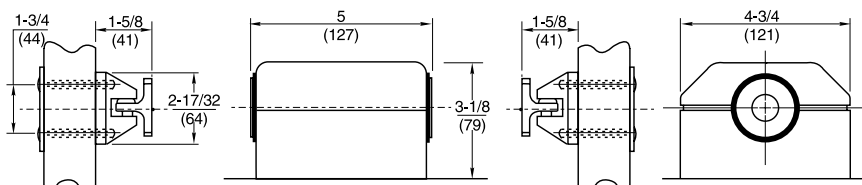
- Floor Mount
- 2 Back-to-Back Doors
- ANSI/C00031

Product Description & Features

- Concealed Wiring
- Floor Space Required: 8-1/4" (210mm)
- Mounting Requirements: Conduit connects directly to floor plate

Technical Information

- Voltage and Current:
 - 120VAC, 60Hz., .040 amp
 - 24VAC/DC, .040 amp
 - 12VDC, .080 amp
- For 50-55 lbs. of holding force, specify voltage
 - 120VAC, 60Hz .034 amp
 - 24VAC, 60Hz .016 amp
 - 24VDC, .036 amp
 - 12VDC, .360 amp
 - 240VAC, 50/60Hz. .018 amp
- Shipping Weight: 4-3/4 lbs. (2.2 kg)



MODEL 989

Application

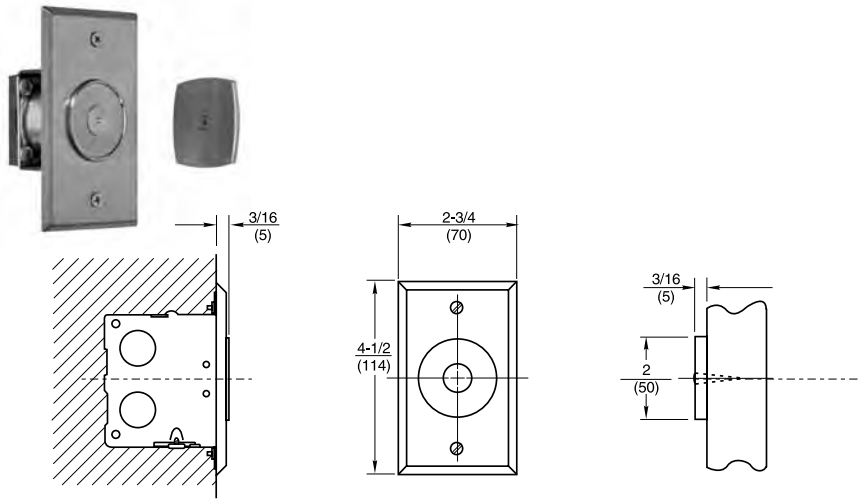
- Wall Mount
- Low Profile
- Concealed Wiring
- ANSI/C00011

Product Description & Features

- Total Projection: 7/16" (11mm)
- Mounting Requirements: 2" x 4" x 2-1/2" (51 x 102 x 64mm) outlet box
- Wall must be properly reinforced and outlet box adequately fastened

Technical Information

- Voltage and Current:
 - 120VAC, 60Hz., .020 amp
 - 24VAC/DC, 60Hz., .020 amp
 - 12VDC, .040 amp
- For 50-55 lbs. of holding force, specify voltage
 - 120VAC, 60Hz. .017 amp
 - 24VAC, 60Hz. .080 amp
 - 24VDC, .068amp
 - 12VDC, .180amp
 - 240VAC, 50/60Hz. .009 amp
- Shipping Weight: 2 lbs. (0.9 kg)



MODEL 990

Application

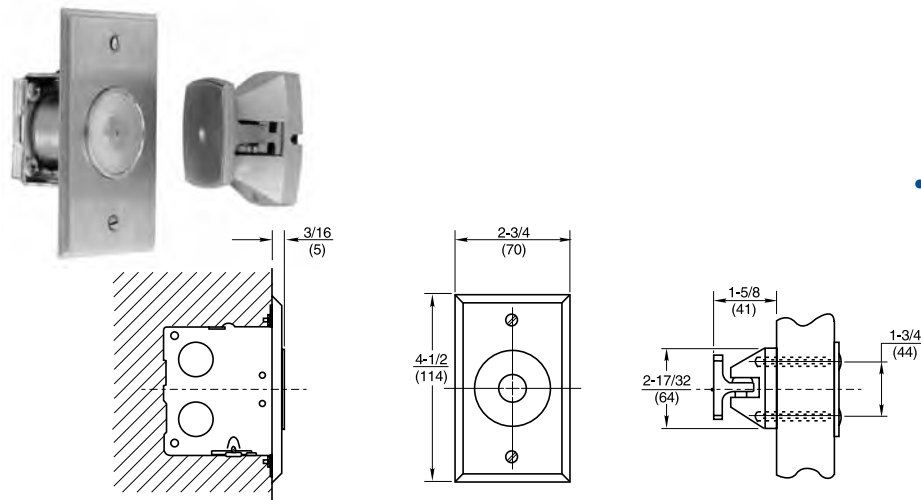
- Wall Mount
- Low Profile
- Concealed Wiring
- ANSI/C00011

Product Description & Features

- Total Projection: 1-13/16" (46mm)
- Mounting Requirements: 2" x 4" x 2-1/2" (51 x 102 x 64mm) outlet box
- Wall must be properly reinforced and outlet box adequately fastened

Technical Information

- Voltage and Current:
 - 120VAC, 60Hz., .020 amp
 - 24VAC/DC, 60Hz., .020 amp
 - 12VDC, .040 amp
- For 50-55 lbs. of holding force, specify voltage
 - 120VAC, 60Hz. .017 amp
 - 24VAC, 60Hz. .080 amp
 - 24VDC, .068amp
 - 12VDC, .180amp
 - 240VAC, 50/60Hz. .009 amp
- Shipping Weight: 2 lbs. (0.9 kg)



MODEL 994

Application

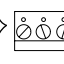
- Wall Mount
- Adjustable Armature
- Concealed Wiring
- ANSI/C00011

Product Description & Features

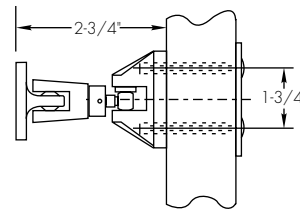
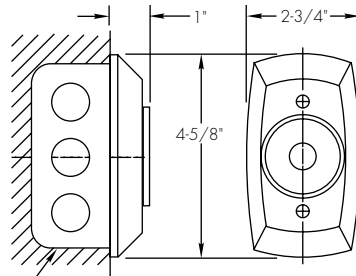
- Total Projection: 3-3/4" (95mm)
- Adjustable armature rotation up and down, back and forth for better alignment.
- Cannot be use with 900 base or spacers.
- Can be used without adjustment piece making it a model 997
- Mounting Requirements:
2" x 4" x 2-1/2" (51 x 102 x 64mm) outlet box
- Wall must be properly reinforced and outlet box adequately fastened

Technical Information

- Voltage and Current:

120VAC, 60Hz., .020 amp	} 
24VAC/DC, 60Hz., .020 amp	
12VDC, .040 amp	
- For 50-55 lbs. of holding force, specify voltage

120VAC, 60Hz. .017 amp
24VAC, 60Hz. .080 amp
24VDC, .068amp
12VDC, .180amp
240VAC, 50/60Hz. .009 amp
- Shipping Weight: 2 lbs. (0.9 kg)



MODEL 996

Application

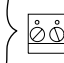
- Wall Mount
- Surface Wiring
- ANSI/C00011

Product Description & Features

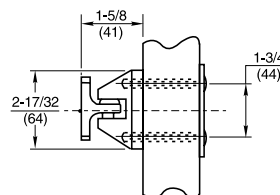
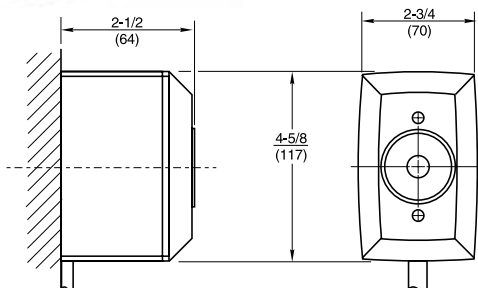
- Total Projection: 4-1/8" (105mm)
- Mounting Requirements:
1-1/2" (38mm) deep adapter housing
- Wall must be properly reinforced

Technical Information

- Voltage and Current:

120VAC, 60Hz., .020 amp	} 
24VAC/DC, 60Hz., .020 amp	
12VDC, .040 amp	
- For 50-55 lbs. of holding force, specify voltage

120VAC, 60Hz. .017 amp
24VAC, 60Hz. .080 amp
24VDC, .068amp
12VDC, .180amp
240VAC, 50/60Hz. .009 amp
- Shipping Weight: 3 lbs. (1.4 kg)



ELECTROMAGNETIC DOOR HOLDER/RELEASES WALL MOUNTED

MODEL 997

Application

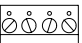
- Wall Mount
- Concealed Wiring
- ANSI/C00011

Product Description & Features

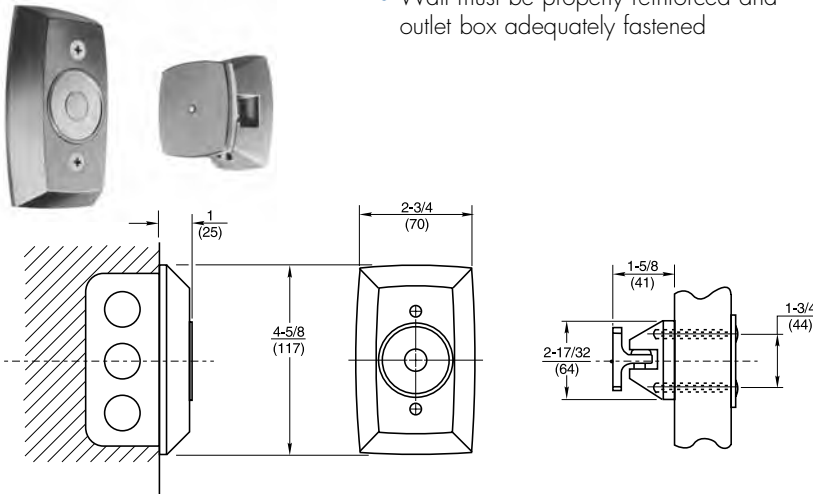
- Total Projection: 2-5/8" (67mm)
- Mounting Requirements: 2" x 4" x 1-3/4" (51 x 102 x 45mm) outlet box
- Wall must be properly reinforced and outlet box adequately fastened

Technical Information

- Voltage and Current:

120VAC, 60Hz., .020 amp	} 
24VAC/DC, 60Hz., .020 amp	
12VDC, .040 amp	
- For 50-55 lbs. of holding force, specify voltage

120VAC, 60Hz .017 amp
24VAC, 60Hz .080 amp
24VDC, .068amp
12VDC, .180amp
240VAC, 50/60Hz. .009 amp
- Shipping Weight: 2 lbs. (0.9 kg)



MODEL 998

Application

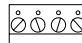
- Wall Mount
- Concealed Wiring
- ANSI/C00011

Product Description & Features

- Total Projection: 3-5/8" (92mm)
- Mounting Requirements: 2" x 4" x 1-3/4" (51 x 102 x 45mm) outlet box
- Wall must be properly reinforced and outlet box adequately fastened

Technical Information

- Voltage and Current:

120VAC, 60Hz., .020 amp	} 
24VAC/DC, 60Hz., .020 amp	
12VDC, .040 amp	
- For 50-55 lbs. of holding force, specify voltage

120VAC, 60Hz .017 amp
24VAC, 60Hz .080 amp
24VDC, .068amp
12VDC, .180amp
240VAC, 50/60Hz. .009 amp
- Shipping Weight: 2-1/2 lbs. (1.1 kg)

