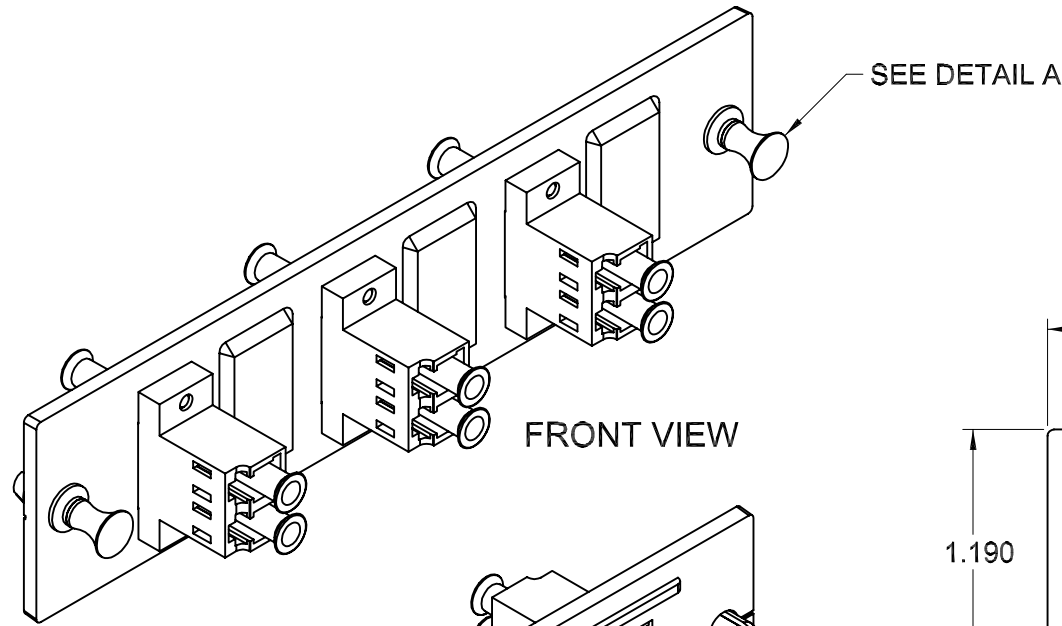
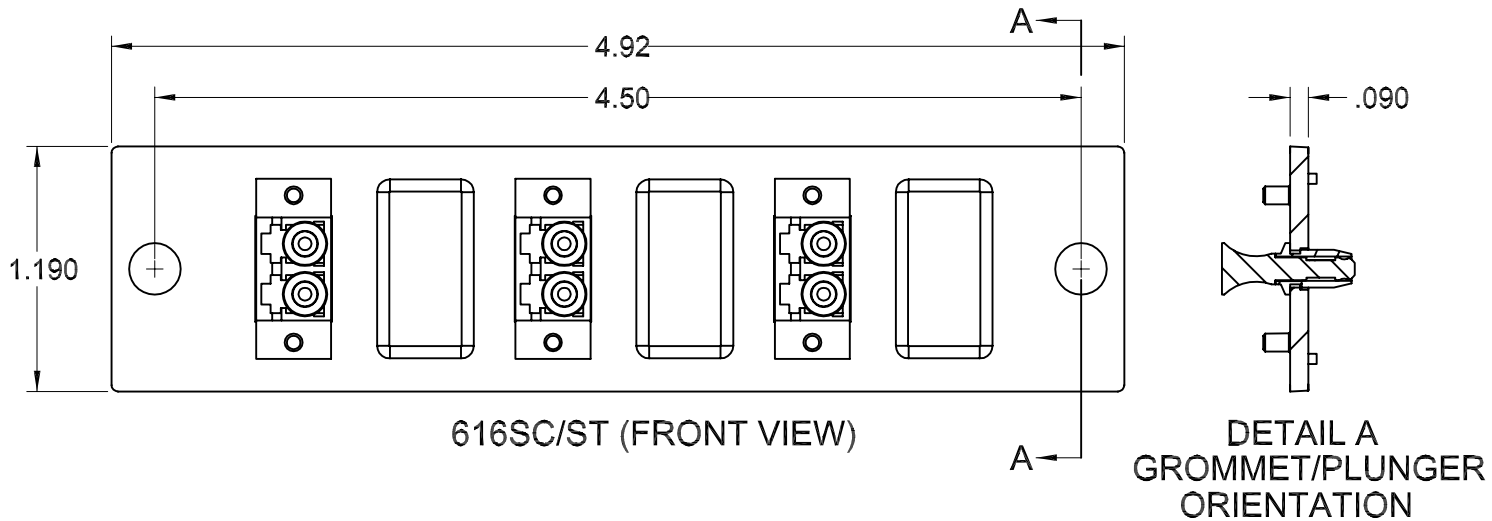


REVISION HISTORY					
REV	SHT	DESCRIPTION	DATE	ECN	CHECKED
A	ALL	RELEASE NEW	5/16/03	NEW	RBS
B	-	CORRECTED: DRAWING VIEWS AND PART NUMBER DESCRIPTION	9/24/04	-	DAH
C	-	REVERSED: LC ADAPTERS 180 DEG TO ACCOMODATE ASSEMBLY	4/22/05	-	DAH
D	-	CHGD: PLATE FROM ALUMINUM TO GLASS FILLED PLASTIC	5/22/06	-	DAH

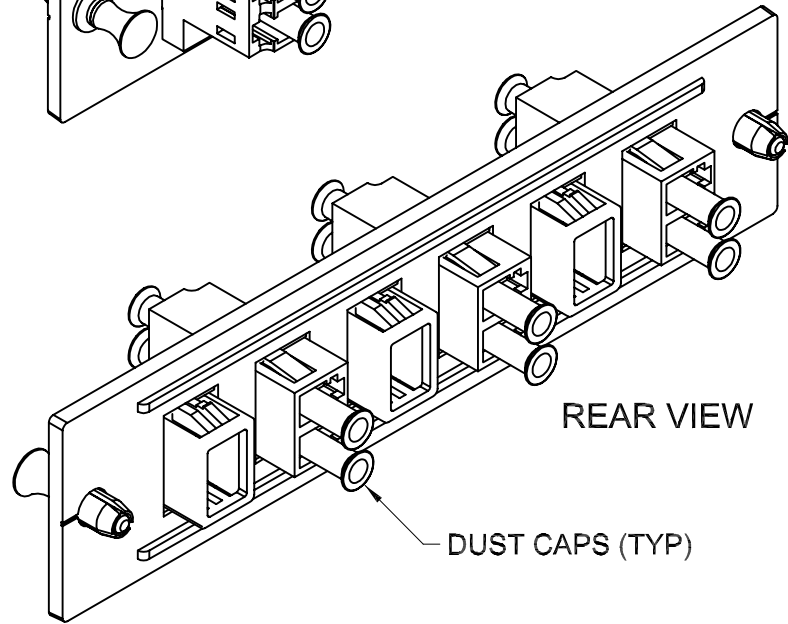


FRONT VIEW



616SC/ST (FRONT VIEW)

DETAIL A
GROMMET/PLUNGER
ORIENTATION



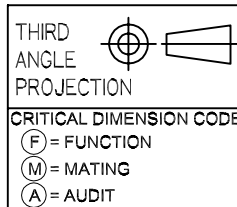
REAR VIEW

DUST CAPS (TYP)

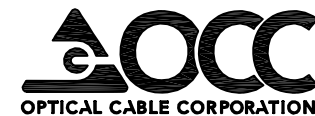
616MMDLC	ADAPTER PLATE ASSY, DUAL LCX3, MM, 6 PORT, OCC
616SMDLC	ADAPTER PLATE ASSY, DUAL LCX3, SM, 6 PORT, OCC
616DLC	ADAPTER PLATE ASSY, DUAL LCX3, SM/MM, 6 PORT, OCC
OCC PART NO.	DESCRIPTION

NOTES: UNLESS OTHERWISE SPECIFIED.

- EACH FIBER ADAPTER KIT IS SUPPLIED WITH COMPONENTS SHOWN.
- ADAPTER SPECIFICATIONS (MULTIMODE) 50µm, 50µm 10 GIG, 62.5µm
INSERTION LOSS (AVERAGE): PHOSPHOR BRONZE SLEEVE: ≤0.3 dB MAX.
SLEEVE/FERRULE WITHDRAWAL FORCE: 2.0N ~ 5.9N (200gf ~ 600gf)
- ADAPTER SPECIFICATIONS (SINGLEMODE)
INSERTION LOSS (AVERAGE): ZIRCONIA CERAMIC SLEEVE: ≤0.2 dB MAX.
SLEEVE/FERRULE WITHDRAWAL FORCE: 2.0N ~ 5.9N (200gf ~ 600gf)



UNCONTROLLED COPY			
UNLESS OTHERWISE SPECIFIED DIMENSIONS ARE IN INCHES. TOLERANCES: FRACTIONS ±1/32" ANGLES ±1/2° 3 PLACE DECIMALS ±.005" 2 PLACE DECIMALS ±.01"		THIS DRAWING AND THE DESIGN SHOWN ARE THE PROPERTY OF OPTICAL CABLE CORPORATION AND MAY NOT BE USED AS THE BASIS FOR MANUFACTURE OR SALE WITHOUT SPECIFIC WRITTEN PERMISSION OF OPTICAL CABLE CORPORATION.	
DRAWN	D.A.HOLBERT	DATE	5/16/03
CHECKED	R.B.SMITH	DATE	5/19/03
ENGINEER	J.YANIK	DATE	5/16/03
APPROVED	R.B.SMITH	DATE	5/22/06
PREVIOUS DWG			
NEXT DWG		FILENAME	C:105986D.DFT



5290 Concourse Drive
Roanoke, VA 24019
Phone: 800-622-7711
Fax: 540-265-0724
www.occfiber.com

DWG TITLE			
CUSTOMER DRAWING, ADAPTER PLATE ASSY, OCC, DUAL LCX3, SM/MM, 6 PORT			
SIZE	DWG NO.	REV	
B	C105986	D	
SCALE:	NONE	SHEET	1 OF 1