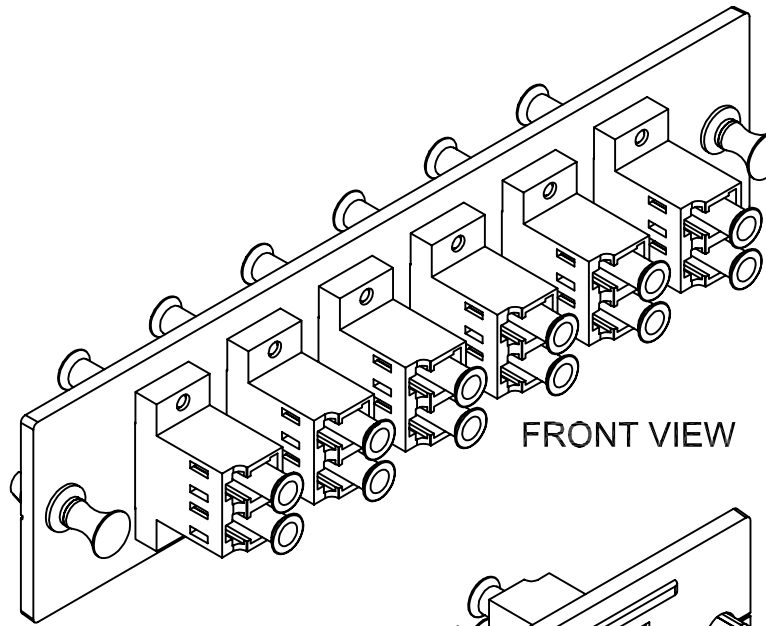
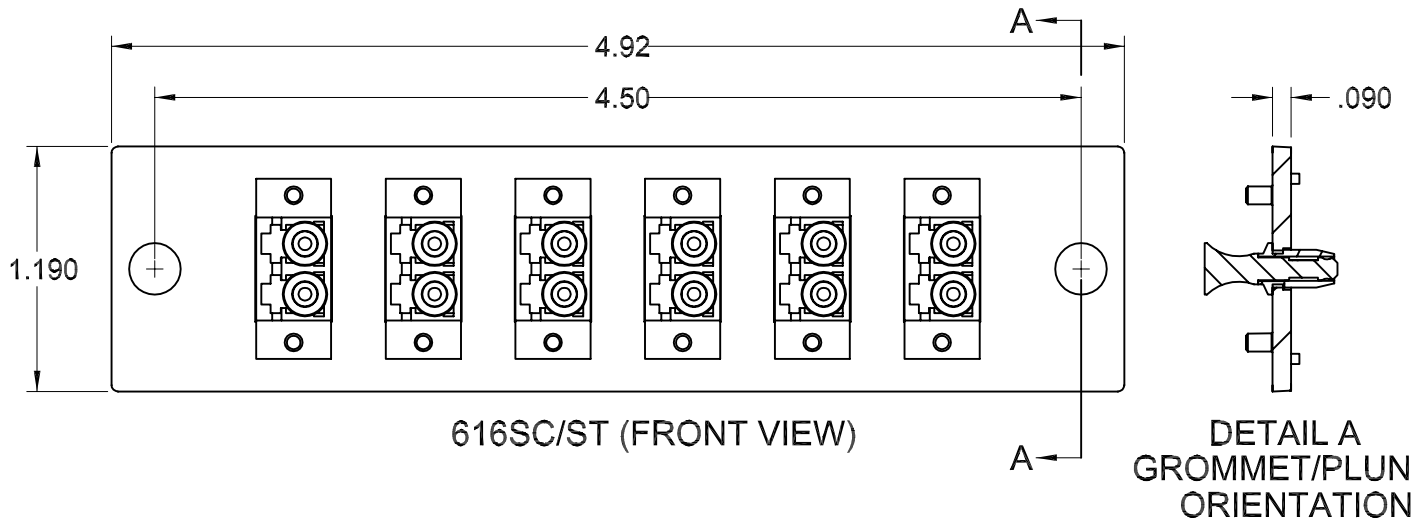


REVISION HISTORY					
REV	SHT	DESCRIPTION	DATE	ECN	CHECKED
A	ALL	RELEASE NEW	5/16/03	NEW	RBS
B	-	CORRECTED: DRAWING VIEWS AND PART NUMBER DESCRIPTION	9/24/04	-	DAH
C	-	REVERSED: LC ADAPTERS 180 DEG TO ACCOMODATE ASSEMBLY	4/22/05	-	DAH
D	-	CHGD: PLATE FROM ALUMINUM TO GLASS FILLED PLASTIC	5/22/06	-	DAH



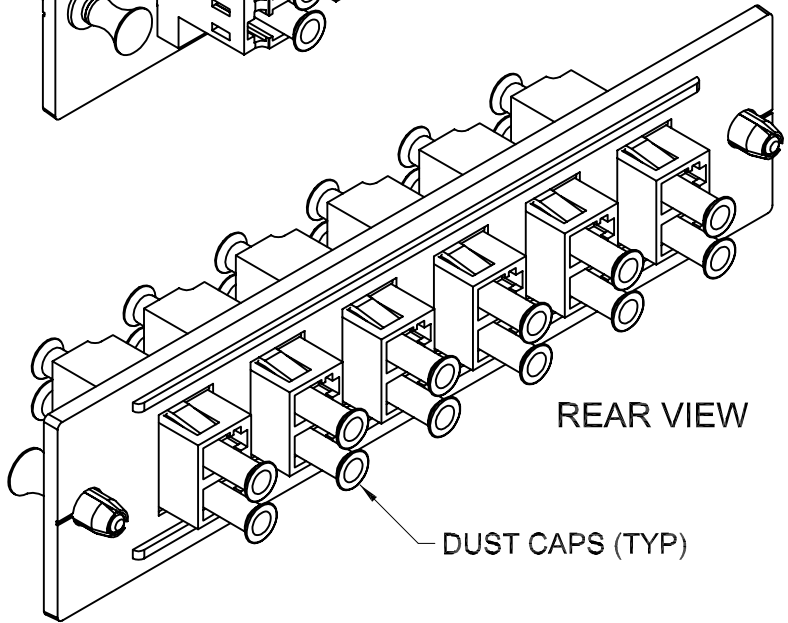
FRONT VIEW

SEE DETAIL A



616SC/ST (FRONT VIEW)

DETAIL A
GROMMET/PLUNGER
ORIENTATION



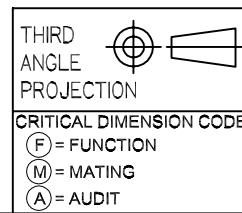
REAR VIEW

DUST CAPS (TYP)

6112MMDLC	ADAPTER PLATE ASSY, DUAL LCX6, MM, 12 PORT, OCC
6112SMDLC	ADAPTER PLATE ASSY, DUAL LCX6, SM, 12 PORT, OCC
6112DLC	ADAPTER PLATE ASSY, DUAL LCX6, SM/MM, 12 PORT, OCC
OCC PART NO.	DESCRIPTION

NOTES: UNLESS OTHERWISE SPECIFIED.

- EACH FIBER ADAPTER KIT IS SUPPLIED WITH COMPONENTS SHOWN.
- ADAPTER SPECIFICATIONS (MULTIMODE) 50µm, 50µm 10 GIG, 62.5µm
INSERTION LOSS (AVERAGE): PHOSPHOR BRONZE SLEEVE: ≤0.3 dB MAX.
SLEEVE/FERRULE WITHDRAWAL FORCE: 2.0N ~ 5.9N (200gf ~ 600gf)
- ADAPTER SPECIFICATIONS (SINGLEMODE)
INSERTION LOSS (AVERAGE): ZIRCONIA CERAMIC SLEEVE: ≤0.2 dB MAX.
SLEEVE/FERRULE WITHDRAWAL FORCE: 2.0N ~ 5.9N (200gf ~ 600gf)



UNCONTROLLED COPY			
UNLESS OTHERWISE SPECIFIED DIMENSIONS ARE IN INCHES. TOLERANCES: FRACTIONS ±1/32" ANGLES ±1/2° 3 PLACE DECIMALS ±.005" 2 PLACE DECIMALS ±.01"		THIS DRAWING AND THE DESIGN SHOWN ARE THE PROPERTY OF OPTICAL CABLE CORPORATION AND MAY NOT BE USED AS THE BASIS FOR MANUFACTURE OR SALE WITHOUT SPECIFIC WRITTEN PERMISSION OF OPTICAL CABLE CORPORATION.	
MATERIAL	SEE BILL OF MATERIAL	DRAWN	D.A.HOLBERT
FINISH	SEE NOTES	DATE	5/16/03
		CHECKED	R.B.SMITH
		DATE	5/19/03
		ENGINEER	J.YANIK
		DATE	5/16/03
		APPROVED	R.B.SMITH
		DATE	5/22/06
		PREVIOUS DWG	
		NEXT DWG	
		FILENAME	C:105887D.DFT

5290 Concourse Drive
Roanoke, VA 24019
Phone: 800-622-7711
Fax: 540-265-0724
www.occfiber.com

DWG TITLE: CUSTOMER DRAWING, ADAPTER PLATE ASSY, OCC, DUAL LCX6, SM/MM, 12 PORT

SIZE: B DWG NO.: C105887 REV: D

SCALE: NONE SHEET: 1 OF 1