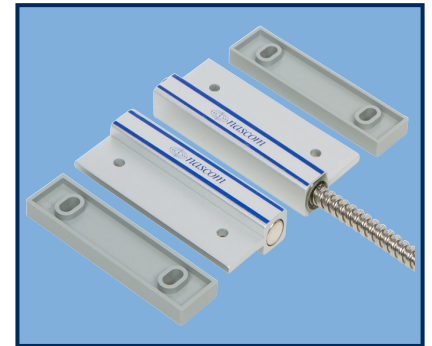


DESCRIPTION

Nascom's award winning N505AU FLIP SWITCH™ is perfect for man doors. The unique flip option allows the switch to be mounted with the cable in either direction, without loss of gap.

The FLIP SWITCH™ combines the installers' choice of contact configuration with an N35 NdFeB magnet for maximum gap performance.

NO DEAD SPOT™ technology, in the N505AU closed loop versions, prevent false alarms caused by door misalignment.



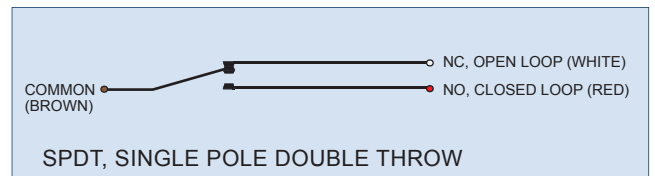
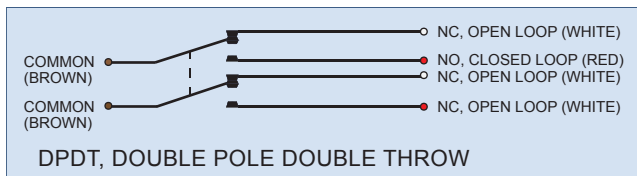
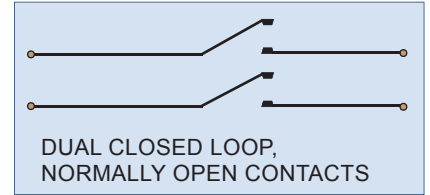
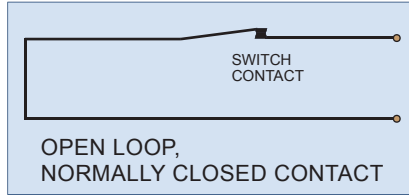
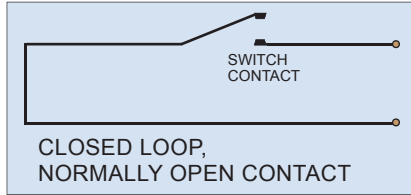
FEATURES

- **NO DEAD SPOT™** TECHNOLOGY
- EXTRA WIDE GAP - N35 NdFeB RARE EARTH MAGNET
- 24" ARMORED CABLE LEAD PROTECTION
- FAST AND EASY INSTALLATION
- UNIVERSAL MOUNT
- 36" 22AWG WIRE LEADS
- EXTRUDED ANODIZED (TYPE II) ALUMINUM
- LISTED TO UL634 STANDARD

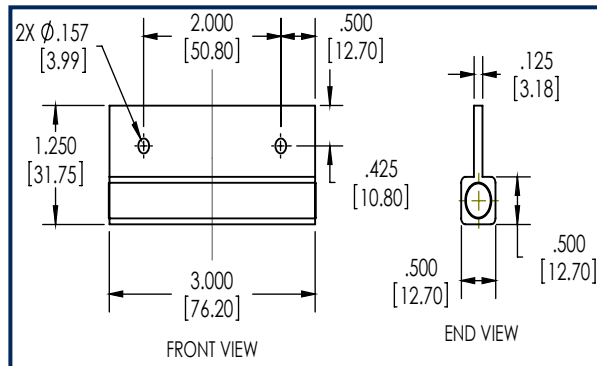
ORDERING INFORMATION

PART NUMBER	COLOR	OPERATE GAP (in INCHES)	CONTACT RATING (Max DC/Peak AC Resistive)				STATIC CONTACT RESISTANCE (50mV, 100mA)
			SWITCHING		CARRY		
			V	I	V	I	
CLOSED LOOP, NORMALLY OPEN, 1FA, SWITCH/MAGNET SET:							
N505AU/ST	SILVER	1.75 to 2.75	200 VDC	0.5 Amps	10vA	1.5 Amps	150 mOhms
DUAL CLOSED LOOP, NORMALLY OPEN, 1FA, SWITCH/MAGNET SET:							
N505AU/ST2CR	SILVER	1.75 to 2.75	200 VDC	0.5 Amps	10vA	0.5 Amps	150 mOhms
OPEN LOOP, NORMALLY CLOSED, 1FB, SWITCH/MAGNET SET:							
N505AU/STFB	SILVER	1.50 to 2.50	30 VDC	0.2 Amps	3vA	0.5 Amps	100 mOhms
SINGLE POLE DOUBLE THROW, SWITCH/MAGNET SET:							
N505AU/STSD	SILVER	1.50 to 2.50	30 VDC	0.2 Amps	3vA	0.5 Amps	100 mOhms
DOUBLE POLE DOUBLE THROW, SWITCH/MAGNET SET:							
N505AU/STDD	SILVER	1.50 to 2.50	30 VDC	0.2 Amps	3vA	0.5 Amps	100 mOhms
HIGH SECURITY, NORMALLY OPEN, 1FA, SWITCH/MAGNET SET:							
N505AU/STHS	SILVER	0.1875 to 0.50	300 VDC	0.25 Amps	10vA	0.25 Amps	150 mOhms initial

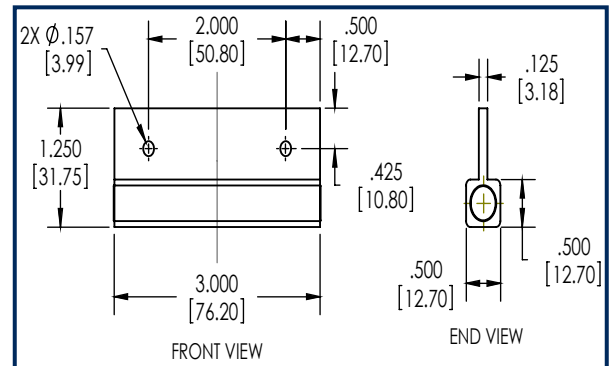
WIRING SCHEMATIC



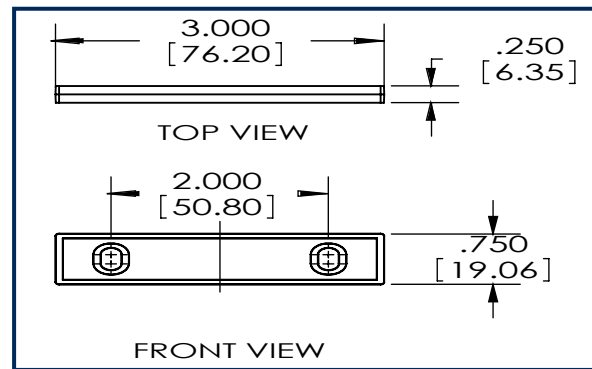
DIMENSIONS - IN [mm]



SWITCH



MAGNET



SPACER

INSTALLATION INSTRUCTIONS

NOTE: For N505AU/STHS - red dots on switch and magnet must be aligned for correct operation.

- Position the switch on the door frame and the magnet on the door in desired location.
- Place one of the enclosed spacers under the switch and one spacer under the magnet and align the switch and magnet housings as close as possible on the door with ¼" gap between the housings.
- Mark the mounting hole locations and drill mounting holes using a drill bit adequately sized for a #6 self-tapping screw.
- Place the spacer under the switch and attach to the door frame using two #6 Self-Tapping screws.
- Place the spacer under the Magnet and attach to the door using two #6 Self-Tapping screws.
- Connect an ohm meter to the switch leads and open and close the door to test switch for correct operation.
- Connect the switch leads to the alarm system.

PART NUMBER SYSTEM

