



# Product Data Sheet

## IM Series: IM-1250F1 (UT-1250F1)

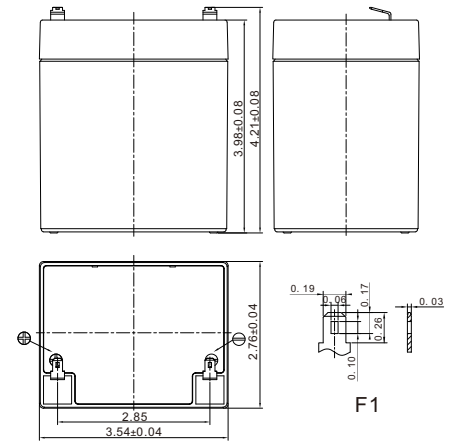
### 12 Volt, 5.0 Amp. Hour

#### Specifications

Rated Voltage	12V						
Nominal Capacity	5.0Ah	(C <sub>20</sub> , 1.75V/cell, 20hrs)					
Dimensions	Length	3.54 inches ( 90±1mm)					
	Width	2.76 inches ( 70±1mm)					
	Container Height	3.98 inches (101±2mm)					
	Total Height	4.21 inches (107±2mm)					
Approx Weight	3.06 lbs ( 1.39 Kg)						
Terminal	F1						
Container Material	ABS						
Rated Capacity (25°C)	5.00 Ah	(20hr, 0.250A, 1.75V/cell)					
	4.36 Ah	(10hr, 0.436A, 1.75V/cell)					
	3.83 Ah	(5hr, 0.765A, 1.75V/cell)					
	3.39 Ah	(3hr, 1.13A, 1.75V/cell)					
	2.66 Ah	(1hr, 2.66A, 1.60V/cell)					
Max. Discharge Current	75A (5s)						
Internal Resistance (25°C)	Approx 48mΩ						
Operating Temp. Range	Discharge	5 ~ 122°F (-15 ~ 50°C)					
	Charge	-4 ~ 104°F (-20 ~ 40°C)					
	Storage	5 ~ 104°F (-15 ~ 40°C)					
Nominal Operating Temp. Range	77±5°F (25±3°C)						
Standby/Float Use	Initial Charging Current less than 1.35A. Voltage 13.5V~13.8V at 77°F(25°C)Temp. Coefficient -10mV/°F						
	Temperature Effect on Capacity	<table border="1"> <tr> <td>104°F (40°C)</td> <td>103%</td> </tr> <tr> <td>77°F (25°C)</td> <td>100%</td> </tr> <tr> <td>32°F (0°C)</td> <td>86%</td> </tr> </table>	104°F (40°C)	103%	77°F (25°C)	100%	32°F (0°C)
104°F (40°C)	103%						
77°F (25°C)	100%						
32°F (0°C)	86%						
Self Discharge	IM series batteries may be stored for up to 6 months at 77°F(25°C) and then a freshening charge is required. For higher temperatures - time interval will be shorter.						



#### Layout



#### Constant Current Discharge (Amperes) at 77°F(25 °C)

F.V/Time	5min	10min	15min	20min	30min	45min	1h	1.5h	2h	3h	4h	5h	6h	8h	10h	20h
1.85V/cell	11.3	8.26	6.55	5.35	4.07	2.99	2.44	1.84	1.53	1.09	0.876	0.744	0.637	0.500	0.425	0.244
1.80V/cell	12.2	8.69	6.81	5.51	4.17	3.04	2.48	1.87	1.56	1.11	0.888	0.755	0.645	0.507	0.430	0.246
1.75V/cell	13.1	9.10	7.06	5.68	4.27	3.11	2.53	1.90	1.58	1.13	0.900	0.765	0.653	0.513	0.436	0.250
1.70V/cell	14.1	9.50	7.31	5.84	4.37	3.16	2.57	1.94	1.61	1.14	0.910	0.775	0.662	0.519	0.441	0.252
1.67V/cell	14.8	9.80	7.46	5.95	4.43	3.20	2.60	1.95	1.62	1.15	0.920	0.780	0.667	0.523	0.444	0.254
1.60V/cell	16.0	10.40	7.80	6.17	4.56	3.29	2.66	2.00	1.66	1.17	0.940	0.795	0.679	0.532	0.450	0.256

C.O.V - Cutoff Voltage/cell. The battery is fully charged & being discharged to COV

#### Constant Power Discharge (Watts/cell) at 77°F(25 °C)

F.V/Time	5min	10min	15min	20min	30min	45min	1h	1.5h	2h	3h	4h	5h	6h	8h	10h	20h
1.85V/cell	21.3	15.8	12.6	10.3	7.86	5.79	4.74	3.59	3.01	2.15	1.73	1.47	1.26	0.990	0.844	0.543
1.80V/cell	23.0	16.5	13.1	10.5	8.02	5.89	4.82	3.65	3.04	2.18	1.75	1.49	1.28	1.01	0.854	0.548
1.75V/cell	24.7	17.2	13.4	10.8	8.18	5.98	4.89	3.69	3.09	2.21	1.76	1.50	1.29	1.02	0.864	0.554
1.70V/cell	26.4	17.9	13.9	11.1	8.33	6.07	4.96	3.74	3.12	2.23	1.79	1.52	1.31	1.03	0.874	0.559
1.67V/cell	27.4	18.4	14.0	11.3	8.42	6.13	5.00	3.77	3.15	2.25	1.80	1.53	1.31	1.04	0.879	0.563
1.60V/cell	29.5	19.3	14.6	11.6	8.63	6.26	5.09	3.83	3.20	2.29	1.83	1.56	1.33	1.05	0.892	0.572

C.O.V - Cutoff Voltage/cell. The battery is fully charged & being discharged to COV



# Product Data Sheet

## IM Series: IM-1250F1 (UT-1250F1)

### 12 Volt, 5.0 Amp. Hour

#### Applications

- All purpose
- Uninterruptable Power Supply (UPS)
- Electric Power System (EPS)
- Emergency backup power supply
- Alarm and security system
- Communication power supply
- DC power supply
- Auto control system

#### General Features

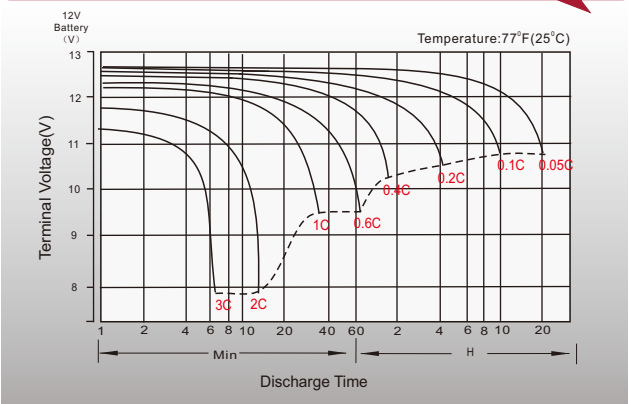
- 5 years design life(77°F)
- Special exhaust structure and sealing technology, safe and reliable, flexible installation, convenient maintenance
- High purity PbCaSn raw material alloy is used for plate grids, assuring less gassing & low self-discharge rate
- High quality AGM separator: extend cycle life and prevent micro short circuit

#### Standards

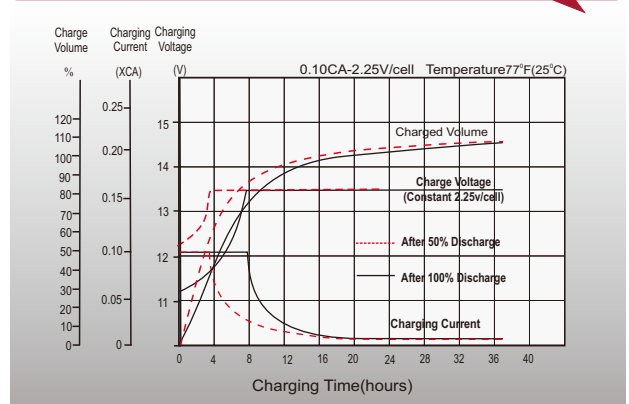
- Compliance with IEC 60896 standards, EU Battery Directive
- UL, CE Certified
- Manufactured in IATF16949,ISO45001, ISO 9001 and ISO 14001 certified production facilities



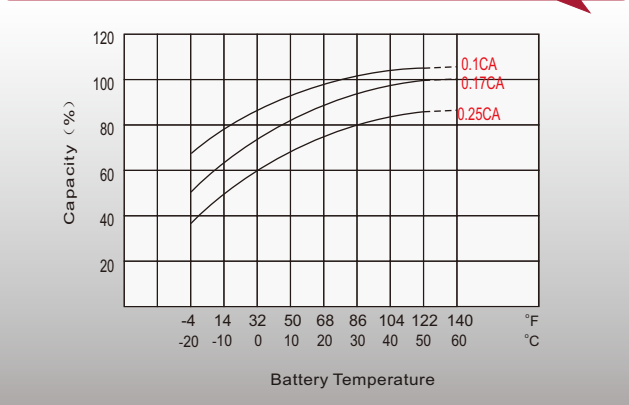
#### Discharge Characteristics



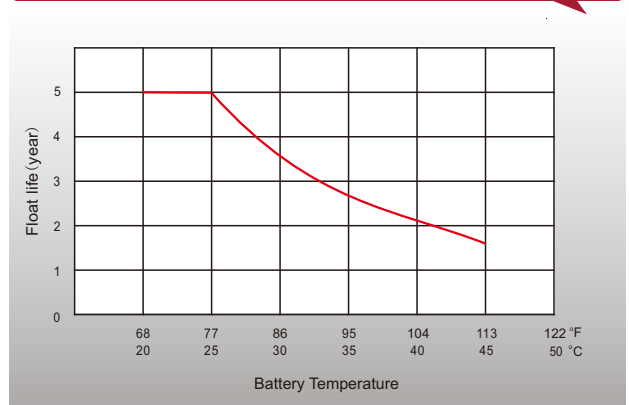
#### Standby/Float Charging Characteristics



#### Temperature Effectes on Battery Capacity



#### Temperature Effectes on Long Term Float Life



#### Sales Offices

Sales: 1.800.233.6261  
 Website: [www.adiglobaldistribution.us](http://www.adiglobaldistribution.us)  
[www.adiglobaldistribution.ca](http://www.adiglobaldistribution.ca)