

DS-72xxHTI-Kx TurboHD DVR

TurboHD[™]

- **VGA Output at Up to 1920 x 1080 Resolution**
- **HDMI Output at Up to 4K (3840 x 2160) Resolution**
- **H.265+/H.265/H.264+/H.264 Main Stream Encoding**
- **Self-Adaptive HD-TVI/CVBS Signal Input**
- **Full Channel Recording Up to 8 MP Resolution**
- **Long Distance Transmission over UTP and Coaxial Cable: Maximum of 800 m for 1080p and 1,200 m for 720p HD-TVI Signal**
- **4/8-ch Synchronous Playback**

TurboHD DS-72xxHTI-Kx DVRs support up to 4K output resolution and offer camera support on up to 4/8 channels. They offer long transmission distances and feature the latest H.265+ compression technology, which improves recording efficiency and reduces data storage costs.

Additionally, DS-72xxHTI-Kx DVRs support advanced analytics such as line crossing, intrusion, scene change detection, people counting, heat map functionality, and Video Quality Diagnostics (VQD).

Available models:

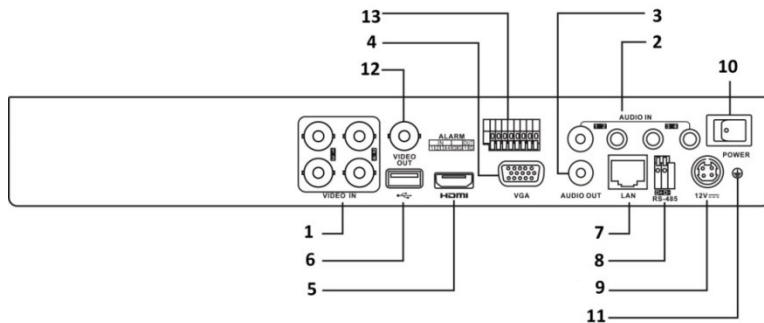
DS-7204HTI-K1: 4-ch
DS-7208HTI-K2: 8-ch

Specifications

	DS-7204HTI-K1	DS-7208HTI-K2
Video/Audio Input		
Video Compression	H.265+/H.265/H.264+/H.264	
Analog Video Input	4-ch	8-ch
HDTVI Input	BNC interface (1.0 Vp-p, 75 Ω), supports Hikvision-C UTC protocol	
AHD Input	8 MP, 5 MP, 4 MP, 3 MP, 1080p30, 1080p25, 720p60, 720p50, 720p30, 720p25	
HDCVI Input	5 MP, 4 MP, 3 MP, 1080p25, 1080p30, 720p25, 720p30	
CVBS Input	4 MP, 1080p25, 1080p30, 720p25, 720p30	
IP Video Input	2-ch ¹	4-ch ²
	Up to 8 MP resolution Supports H.265+/H.265/H.264+/H.264 IP cameras	
Audio Compression	6.711u	
Audio Input	4-ch, RCA [2.0 Vp-p, 1K Ω]	
Video/Audio Output		
CVBS Output	1-ch, BNC (1.0 Vp-p, 75 Ω), resolution: 704 × 480	
VGA Output	1-ch, 1920 × 1080/60 Hz, 1280 × 1024/60 Hz, 1280 × 720/60 Hz, 1024 × 768/60 Hz	
HDMI Output	1-ch, 4K (3840 × 2160)/30 Hz, 2K (2560 × 1440)/60 Hz, 1920 × 1080/60 Hz, 1280 × 1024/60 Hz, 1280 × 720/60 Hz, 1024 × 768/60 Hz	
Encoding Resolution	8 MP/5 MP/4 MP/3 MP/1080p/720p/WD1/4CIF/VGA/CIF	
Frame Rate	Main stream: 8 MP @ 12 fps, 5 MP @ 20 fps, 3 MP @ 18 fps; 4 MP/1080p/720p/WD1/4CIF/VGA/CIF @ 30 fps Sub-stream: WD1/4CIF/CIF @ 30 fps	
Video Bit Rate	32 Kbps to 10 Mbps	
Audio Output	1-ch, RCA (linear, 1K Ω)	
Audio Bit Rate	64 Kbps	
Dual Stream	Supported	
Stream Type	Video, Video and Audio	
Synchronous Playback	4-ch	8-ch
Network Management		
Remote Connections	32	64
Network Protocols	TCP/IP, PPPoE, DHCP, Hik-Connect, DNS, DDNS, NTP, SADP, NFS, iSCSI, UPnP™, HTTPS, ONVIF	
Hard Disk		
SATA	1 SATA interface	2 SATA Interfaces
Capacity	Up to 10 TB capacity for each disk	
External Interface		
Two-Way Audio Input	1-ch, RCA [2.0 Vp-p, 1K Ω] (for the first audio input)	
Network Interface	1, RJ-45 10M/100M/1000M self-adaptive Ethernet interface	
USB Interface	Front panel: 1 × USB 2.0; rear panel: 1 × USB 3.0	
Serial Interface	RS-485 (half-duplex)	
Alarm In/Out	4/1	8/4
General		
Power Supply	12 VDC	
Consumption (without HDD)	≤15 W	≤20 W
Working Temperature	14° to 131° F (-10° to 55° C)	
Working Humidity	10% to 90% non-condensing	
Dimensions (W × D × H)	12.4" × 9.5" × 1.8" (315 mm × 242 mm × 45 mm)	15" × 12.6" × 1.9" (380 mm × 320 mm × 48 mm)
Weight (w/o HDD)	≤3.3 lbs (1.5 kg)	≤4.4 lbs (2 kg)

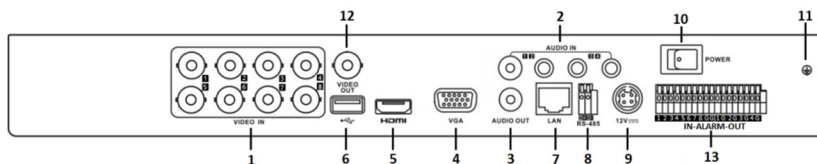
Physical Interfaces

DS-7204HTI-K1



1	Video In	8	RS-485 Serial Interface
2	Audio In, RCA Connector	9	12 VDC Power Input
3	Audio Out, RCA Connector	10	Power Switch
4	VGA Interface	11	GND
5	HDMI Interface	12	Video Out
6	USB Interface	13	Alarm In/Out
7	LAN Network Interface		

DS-7208HTI-K2



¹Up to eight IP channels if Enhanced IP Mode is enabled and all analog channels are disabled. Enhanced IP Mode and Enhanced VCA Mode cannot run simultaneously.
²Up to 16 IP channels if Enhanced IP Mode is enabled and all analog channels are disabled. Enhanced IP Mode and Enhanced VCA Mode cannot run simultaneously.