

### T710xQxTx Series Surveillance Kits DVR and Camera Kits

#### DVR

- Up-the-Coax Control of Hikvision TurboHD Cameras
- H.264+ for Reduced Bandwidth + Increased Storage
- HDMI and VGA (1080p Resolution) Output
- One-Key Recording Configurable
- Holiday Recording
- Up to 4/8-Ch Synchronous Playback at 1080p
- Customize, Search, and Play Back by Tags
- Remote Support: Smart Devices via Free Mobile App (iVMS-4500) or PC via Free Client SW (iVMS-4200)

#### CAMERAS

- 2 MP High-Performance CMOS Sensor
- Analog HD Output, Up to 1080p Resolution
- DVR Supports Non-Real Time Frame Rate
- True Day/Night
- OSD Menu, DNR, Smart IR
- IR, 66 ft (20 m) Range
- IP66 Weatherproof
- Vandal-Resistant Dome (DS-2CE56D7T-VPIT)
- Up-the-Coax (HIKVISION-C)

Each Hikvision T710xQxTx Surveillance Kit features a Digital Video Recorder (DVR) bundled with turret or dome TurboHD cameras.

Kits are available with four channel (includes four cameras) or eight channel (includes six cameras) DVRs. Each DVR features 1080p output. The cameras' 2 MP progressive scan CMOS sensors offer resolutions up to 1920 x 1080. Includes 1 TB or 2 TB HDD.



#### Available Models:

- T7104Q1TA:** (1) DS-7104HQHI-F1/NB DVR w/1 TB HDD  
(4) DS-2CE56D0T-IR Turret Cameras
- T7108Q2TA:** (1) DS-7108HQHI-F1/NB DVR w/2 TB HDD  
(6) DS-2CE56D0T-IR Turret Cameras
- T7104Q1TB:** (1) DS-7104HQHI-F1/NB DVR w/1 TB HDD  
(4) DS-2CE56D7T-VPIT Dome Cameras
- T7108Q2TB:** (1) DS-7108HQHI-F1/NB DVR w/2 TB HDD  
(6) DS-2CE56D7T-VPIT Dome Cameras



CAMERAS				
	T7104Q1TA	T7108Q2TA	T7104Q1TB	T7108Q2TB
	DS-2CE56D0T-IR		DS-2CE56D7T-VPIT	
<b>Camera</b>				
Camera Type	HD1080p IR turret camera		HD1080p WDR vandal-resistant EXIR dome camera	
Image Sensor	2 MP CMOS image sensor			
Signal System	PAL/NTSC			
Effective Pixels	1920 x 1080		1928 x 1088	
Minimum Illumination	0.028 lux @ <i>f</i> /2.0, AGC on, 0 lux with IR		0.034 lux @ <i>f</i> /2.0, AGC on, 0 lux with IR	
Shutter Speed	1/25 (1/30)s to 1/50,000s			
Lens	2.8 mm			
	Angle of view: 103°			
Lens Mount	M12			
Day/Night	ICR			
Angle Adjustment	Pan: 0° to 360°, tilt: 0° to 75°, rotate: 0° to 360°		Pan: 0° to 340°, tilt: 0° to 75°; rotate: 0° to 355°	
Synchronization	Internal synchronization			
Video Frame Rate	12 fps with included DVR			
HD Video Output	1 analog HD output			
S/N Ratio	> 62 dB			
<b>Menu</b>				
AGC	Supported			
UTC OSD	Supported			
D/N Mode	Color/BW/Smart			
White Balance	ATW/MWB			
BLC	Supported			
Functions	Wide Dynamic Range, digital noise reduction, mirror, Smart IR			
<b>General</b>				
Operating Conditions	-40° C to 60° C (-40° F to 140° F), humidity 90% or less (non-condensing)			
Power Supply	12 VDC ±15%			
Power Consumption	Maximum 4 W		Maximum 5 W	
Protection Level	IP66			
IR Range	66 ft (20 m)			
Impact Protection	N/A		IK10	
Communication	Up-the-Coax, protocol: HIKVISION-C (TVI output), supports UTC OSD			
Dimensions	Φ3.52" × 2.75" (Φ89.5 mm × 69.8 mm)		Φ4.3" × 3.25" (Φ111 mm × 82.5 mm)	
Weight	9.88 ozs (280 g)		Approximately 0.77 lb (350 g)	

## Accessories









### For DS-2CE56D7T-VPIT Dome Camera

			
<b>WM110</b> Wall Mount	<b>AB110</b> Inclined Ceiling Mount	<b>CB110</b> Conduit Box	<b>PC110</b> Pendant Cap

### For DS-2CE56D0T-IR Turret Camera

	
<b>PC110T</b> Pendant Cap	<b>CBXS</b> Junction Box

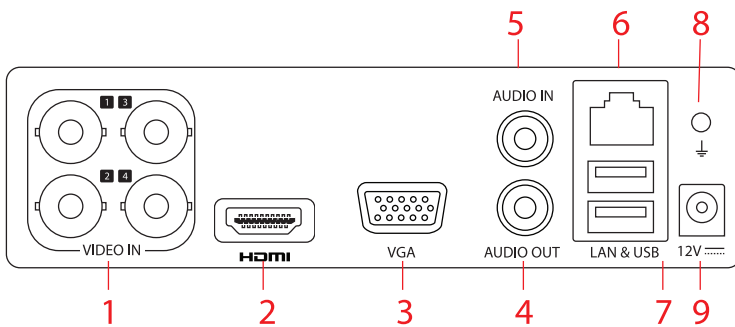
### Common Accessories

							
<b>CPM</b> Ceiling Pendant Mount	<b>WMS</b> Wall Mount	<b>PM</b> Pole Mount	<b>CM</b> Corner Mount	<b>SRSM</b> Rain Shade	<b>SRS</b> Rain Shade	<b>DS-1H18</b> Video Balun	<b>X41T</b> Camera Tester

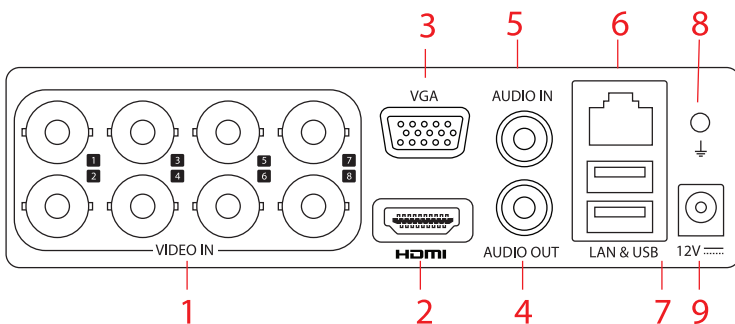


■ DVRs				
	T7104Q1TA	T7108Q2TA	T7104Q1TB	T7108Q2TB
	DS-7104HQHI-F1/NB		DS-7108HQHI-F1/NB	
<b>Video/Audio Input</b>				
Video Compression	H.264			
Analog Video Input	4-ch		8-ch	
	BNC interface (1.0 Vp-p, 75 Ω)			
HD-TVI Input	1080p/25 Hz, 1080p/30 Hz, 720p/25 Hz, 720p/30 Hz, 720p/50 Hz, 720p/60 Hz			
CVBS	Supported			
Audio Compression	G.711u			
Audio Input/Two-Way Audio Input	1-ch, RCA (2.0 Vp-p, 1 K Ω)			
<b>Video/Audio Output</b>				
HDMI/VGA Output	1920 × 1080/60 Hz, 1280 × 1024/60 Hz, 1280 × 720/60 Hz, 1024 × 768/60 Hz			
Encoding Resolution	1080p (non-real-time)/720p/VGA/WD1/4CIF/CIF; 720p/VGA/WD1/4CIF/CIF			
Frame Rate	Main stream: 1/16 fps to real time frame rate Sub-stream: WD1/4CIF @ 12 fps, CIF/QVGA/QCIF @ 1/16 fps to real time frame rate			
Video Bitrate	32 Kbps to 6 Mbps			
Audio Output	1-ch, RCA (linear, 1K Ω)			
Audio Bitrate	64 Kbps			
Dual-Stream	Supported			
Stream Type	Video, video and audio			
Synchronous Playback	4-ch		8-ch	
<b>Network Management</b>				
Remote Connections	128			
Network Protocols	TCP/IP, PPPoE, DHCP, EZVIZ Cloud P2P, DNS, DDNS, NTP, SADP, SMTP, NFS, iSCSI, UPnP™, HTTPS, ONVIF			
<b>Hard Drive</b>				
SATA	1 SATA interface			
Capacity	1 TB included	2 TB included	1 TB included	2 TB included
<b>External Interface</b>				
Network Interface	1; 10M/100Mbps self-adaptive Ethernet interface			
USB Port	2 × USB 2.0			
<b>General</b>				
Power Supply	12 VDC			
Consumption (w/o HDD)	≤8 W		≤12 W	
Working Temperature	14° F to 131° F (-10° C to +55° C)			
Working Humidity	10% to 90%			
Dimensions (W × D × H)	7.9" × 7.9" × 1.8" (200 mm × 200 mm × 45 mm)			
Weight (w/o HDD)	≤1.8 lb (0.8 kg)			

## DVR Rear Panel

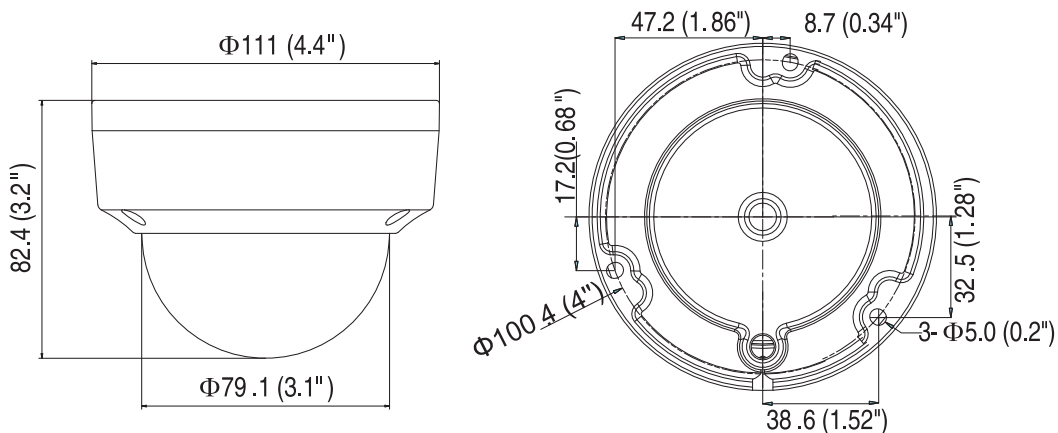


DS-7104HQHI-F1/NB			
Description		Description	
1	VIDEO IN	6	LAN Network Interface
2	HDMI Interface	7	USB Ports
3	VGA Interface	8	GND
4	AUDIO OUT, RCA Connector	9	12 VDC Power Input
5	AUDIO IN, RCA Connector		



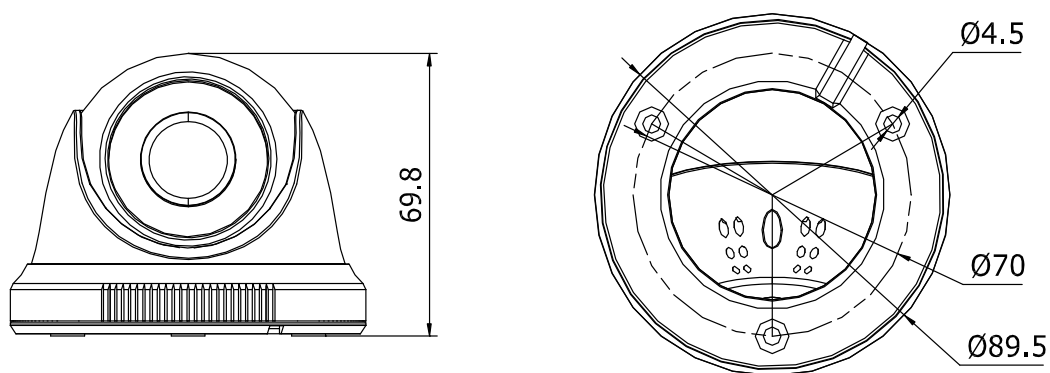
DS-7108HQHI-F1/NB			
Description		Description	
1	VIDEO IN	6	LAN Network Interface
2	HDMI Interface	7	USB Ports
3	VGA Interface	8	GND
4	AUDIO OUT, RCA Connector	9	12 VDC Power Input
5	AUDIO IN, RCA Connector		

**DS-2CE56D0T-IR Dome Camera**



Unit : mm

**DS-2CE56D7T-VPIT Turret Camera**



Unit: mm

**DS-710xHQHI-F1/NB DVR**

