

RCM-1(B)

In-Ceiling Mounting Bracket for Dome Camera



- Aluminum Alloy Material with Surface Spray Treatment
- Designed for Convenient Wiring
- Black-Finish Model Available (RCM-1B)

Specifications

	RCM-1	RCM-1B
Appearance	Hikvision white	Hikvision black
Material	Aluminum alloy	
Dimension	Ø210 mm × 90 mm (Ø8.27" × 3.54")	
Weight	600 g (21.16 ozs)	

NOTES: Install bracket on flat ceiling.

Waterproof rubber is necessary for outdoor application.

The ceiling must be capable of supporting over three times as much as the total weight of the camera and the mount.

Maximum load capacity of the mount is 4.5 kg.

Fits the Following Cameras

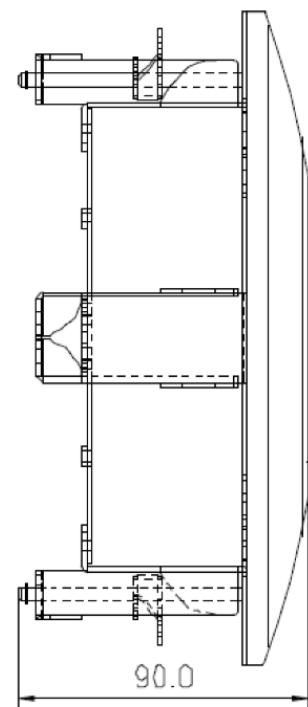
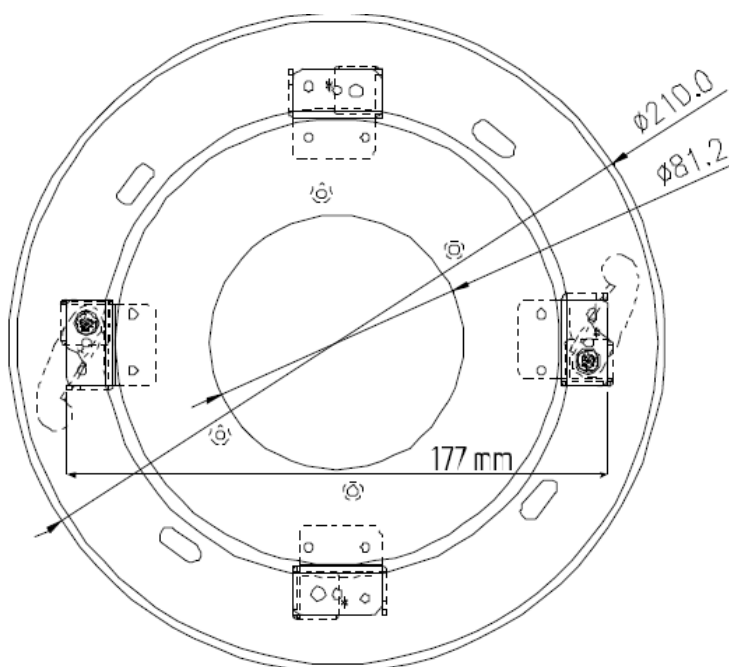
ECI-D64Z2	DS-2CD7126G0-IZS
ECI-D62Z2	DS-2CD7126G0-IZS8
DS-2CD5126G0-IZS	DS-2CD7146G0-IZS
DS-2CD5146G0-IZS	DS-2CD7146G0-IZS8
DS-2CD5165G0-IZS	DS-2CD7185G0-IZS
DS-2CD5185G0-IZS	DS-2CD7185G0-IZS8
DS-2CD51C5G0-IZS	

Order Model

RCM-1

RCM-1B

Dimensions



Units: mm