

PC155(B) Pendant Cap



- Aluminum Alloy with Surface Spray Treatment
- Indoor/Outdoor Use

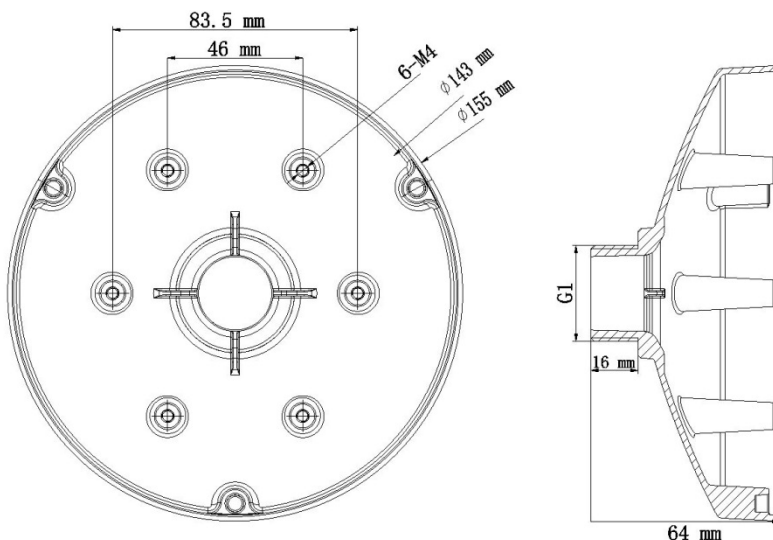
The mount should be installed on a flat surface. The surface must be capable of supporting at least three times the total weight of the camera and the mount. The mount's maximum load capacity is 1.4 lbs (650 g).

Available models:
PC155: Hikvision white
PC155B: Black

Specifications

	PC155	PC155B
Appearance	Hikvision white	Black
Material	Aluminum alloy	
Dimensions	Ø6.10" × 2.52" (Ø155 mm x 64 mm)	
Weight	1.40 lbs (0.65 g)	

Dimensions



Adapter Plate Included



*Shown attached to the PC155
 Adapter Plate color matches the pendant cap*