

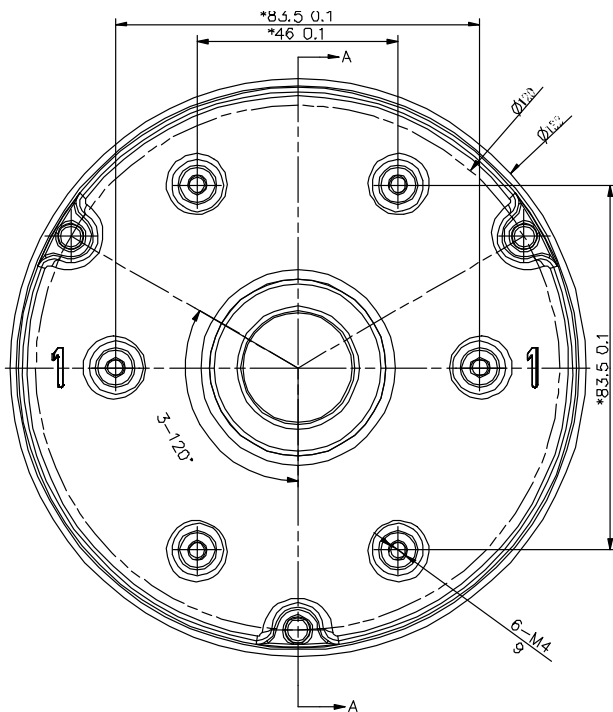
PC130T(B) Pendant Cap



- Aluminum Alloy Material with Surface Spray Treatment
- Waterproof Design

Dimensions

NOTE: The actual bracket may vary from the picture above.



| | PC130T | PC130T(B) |
|----------------------|------------------------------|-----------|
| Appearance | Hikvision white | Black |
| Range of Application | Pendant cap | |
| Material | Aluminum alloy | |
| Dimension | 132 mm x 62 mm (5.2" x 2.4") | |
| Weight | 190 g (6.7 ozs) | |

Order Model

PC130T: Hikvision white

PC130TB: Black

NOTES: Pay attention to color matching.

