

DS-K1F820-F

Optical Fingerprint Recorder

- 508 dpi High-Definition
- PnP (Plug and Play)
- Windows Operating System
- USB 2.0 Data Transmission
- Power Over USB
- Composite Fingerprint Images from Triple Collection



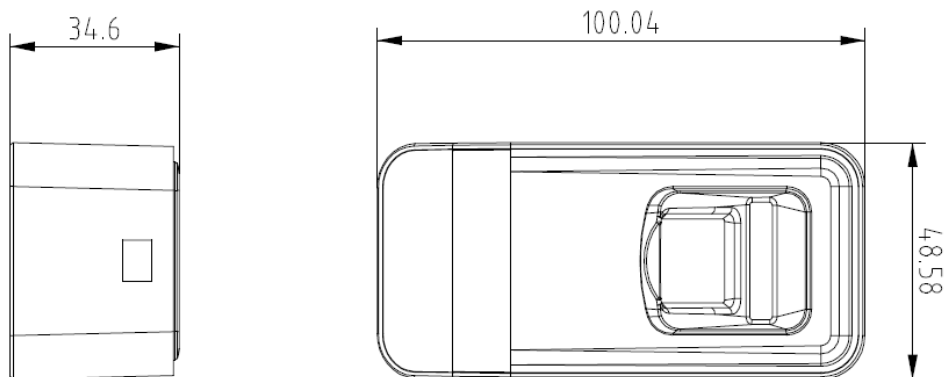
Hikvision's DS-K1F820-F Fingerprint Recorder supports living fingerprint registration and identification. It connects to a computer directly through the USB interface and uploads/downloads fingerprint characteristic data and image to the controller/module. It also checks the completeness of the registered fingerprint.

Available Models: DS-K1F820-F

Specifications

	DS-K1F820-F
CPU	32-bit MCU
Fingerprint Reader	Optical, red backlight
FAR	< 0.001% (security level: 3)
FRR	< 0.1% (security level: 3)
Resolution	508 dpi
Fingerprint Template Size	256 x 288 (pixel)
Operating Voltage	5 VDC, 200 mA
Communication Interface	USB 2.0
Temperature	-22° to 158° F (-30° to +70° C)
Humidity	20% to 80%
Operating System	Windows
Certifications	CE, FCC, UL 60950-1
Dimensions (L x W x H)	3.94" x 1.89" x 1.38" (100 mm x 48 mm x 35 mm)

Dimensions



Units: mm

