

ECI-T24Fx

4 MP Outdoor EXIR Network Turret Camera



- 1/3" (4 MP) Progressive Scan CMOS
- Up to 2560 x 1440 Resolution
- 2.8 mm, 4 mm, or 6 mm Fixed Lens
- Up to 100 ft (30 m) EXIR 2.0 IR Range
- H.265+/H.265/H.264+/H.264/MJPEG
- True 120 dB WDR
- IP67 Protection
- Durable Metal Housing
- 12 VDC \pm 25% (PoE IEEE802.3af), Max. 6.5 W

The Hikvision ECI-T24Fx Outdoor EXIR Turrent Camera provides high definition network output. It supports H.265+ video compression technology, which assures savings in bandwidth and storage.

EXIR 2.0 IR technology allows for viewing up to a range of 100 feet (30 meters).

The 2.8 mm, 4 mm, or 6 mm lens is optimized for viewing angles that fit any situation.

Available models:

ECI-T24F2: 2.8 mm lens

ECI-T24F4: 4 mm lens

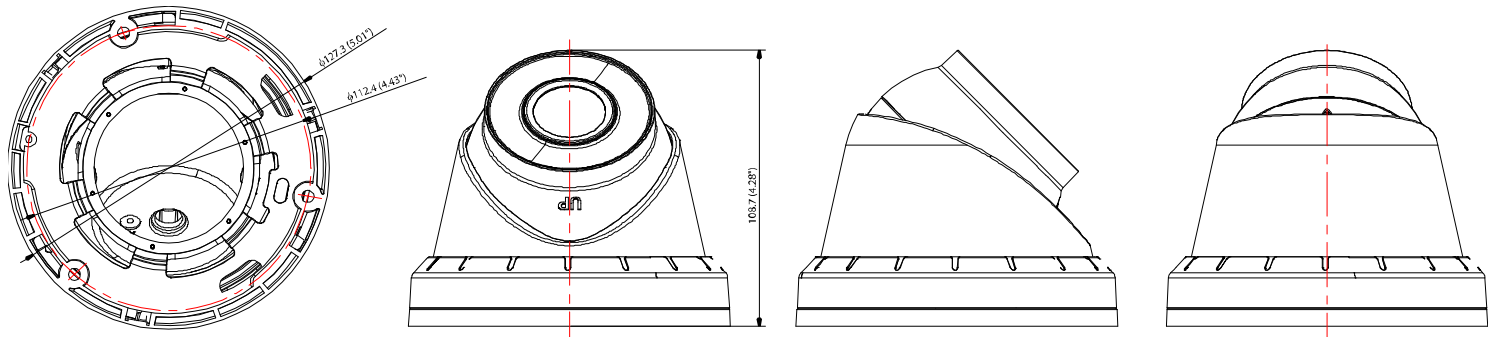
ECI-T24F6: 6 mm lens



Specifications






ECI-T24Fx	
Camera	
Image Sensor	1/3" (4 MP) progressive scan CMOS
Minimum Illumination	Color: 0.15 lux @ (f/2.0, AGC on); 0.03 lux @ (f/2.0, AGC on), 0 lux with IR
Shutter Speed	1/3 s to 1/100,000 s
Slow Shutter	Yes
Auto-Iris	No
Day/Night	IR cut filter
Digital Noise Reduction	3D DNR
WDR	120 dB
Angle Adjustment (Bracket)	Pan: 0° to 360°, tilt: 0° to 75°, rotation: 0° to 360°
Lens	
Focal Length	2.8 mm, 4 mm, or 6 mm
Aperture	f/2.0
Focus	No
FOV	2.8 mm: Horizontal FOV 100°, vertical FOV 55°, diagonal FOV: 117° 4 mm: Horizontal FOV 77°, vertical FOV 42°, diagonal FOV: 90° 6 mm: Horizontal FOV 52°, vertical FOV 29°, diagonal FOV: 63°
Lens Mount	M12
IR	
IR Range	2.8 mm/4 mm: up to 65 ft (20 m); 6 mm: up to 100 ft (30 m)
Wavelength	850 nm
Compression Standard	
Video Compression	Main stream: H.265+/H.265/H.264+/H.264; sub-stream: H.265+/H.265/H.264+/H.264/MJPEG
H.264 Type	Baseline profile/main profile/high profile
H.264+	Main stream
Video Bit Rate	32 Kbps to 16 Mbps
Smart Features	
Region of Interest	One fixed region for main stream and sub-stream
Image	
Maximum Resolution	2560 × 1440
Main Stream	20 fps (2560 × 1440), 30 fps (2304 × 1296, 1920 × 1080, 1280 × 720)
Sub-Stream	30 fps (640 × 480, 640 × 360, 320 × 240)
Image Enhancement	BLC, 3D DNR
Image Setting	Rotate mode, saturation, brightness, contrast, sharpness, AGC, white balance adjustable by client software or Web browser
Day Night Switch	Day, night, auto, scheduled
Network	
Network Storage	Supports NAS (NFS, SMB/CIFS)
Alarm Trigger	Motion detection, video tampering, network disconnected, IP address conflict, HDD full, HDD error, illegal login
Protocols	TCP/IP, ICMP, HTTP, HTTPS, FTP, DHCP, DNS, DDNS, RTP, RTSP, RTCP, NTP, UPnP, SMTP, IGMP, 802.1x, QoS, IPv6, UDP, Bonjour
General Function	Anti-flicker, heartbeat, mirror, password protection, privacy mask, watermark, IP address filter
API	ONVIF (PROFILE S, PROFILE G), ISAPI
Simultaneous Live Views	Up to 6 channels
User/Host	Up to 32 users; three levels: administrator, operator, and user
Client	iVMS-4200, Hik-Connect
Web Browser	IE 8+, Chrome 31 to 44, Firefox 30.0 to 51, Safari 8.0+
Interface	
Communication Interface	1-Port RJ-45 10M/100M self-adaptive Ethernet port
General	
Operating Conditions	-22° to 140° F (-30° to 60° C); humidity: 95% or less (non-condensing)
Power Supply	12 VDC ±25%, 5.5 mm coaxial power plug; PoE (802.3af, class 3)
Power Consumption and Current	12 VDC, 0.5 A, maximum: 5 W; PoE: (802.3af, 36 V to 57 V), 0.2 A to 0.1 A, maximum: 6.5 W
Protection Level	IP67
Material	Metal
Dimensions	Camera: Ø4.3" x 3.7" (Ø110 mm x 93.2 mm)
Weight	Camera: 0.80 lbs (360 g)

Dimensions



Unit: mm (inch)

Accessories (Not Included)

				
PC130T 130 mm Pendant Cap	WMS Short Wall Mount w/ Junction Box	PM Pole Mount Adapter	CM Corner Mount Adapter	CBM Conduit Base

Box Contents (Subject to Change without Notice)

Quick Start Guide
Screws
Watertight Cable Connector