

CPM-S Pendant Mounting Bracket Indoor/Outdoor

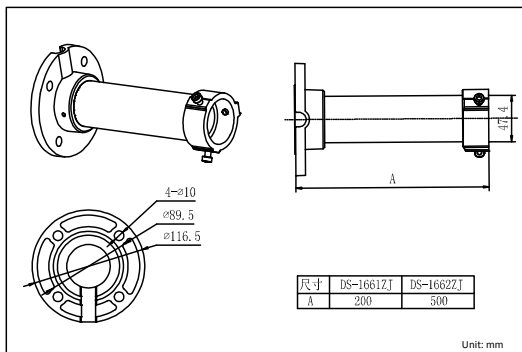


	DS-1661ZJ
Color	Hikvision white
Feature	Suitable for speed dome pendant mounting
Material	Aluminum alloy
Dimensions	Φ116.5 mm × 200 mm (4.59" x 7.87")
Weight	1000 g (35.27 ozs)

Features

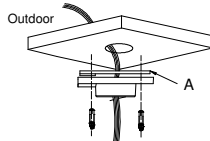
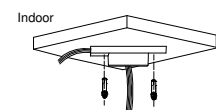
- Aluminum Alloy Material with Surface Spray Treatment
- General Design for Indoor/Outdoor Use
- Wire Outlet Hole
- Waterproof with Rubber Blanket Design
- Safety Rope for Safe and Convenient Assembly

Dimensions

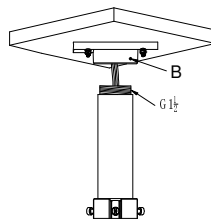


Installation

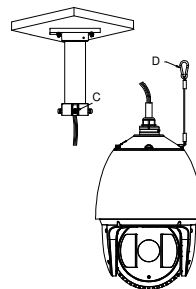
1. Choose the appropriate wall to mount the ceiling, and rubber blanket should be added when assembling outdoors.
2. Twist and fix the screwed pipe after threading.
3. Fasten the safety rope, thread the line and assemble the speed dome.
4. Fasten the snap joint fixing screw



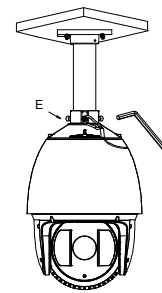
A: Waterproof rubber blanket



B: Screw hole



C: Safety rope hook D: Safety rope



E: Snap joint fixing screw.

NOTE: The speed dome figure in "Installation" is for reference only; please adhere to referencing the actual product.