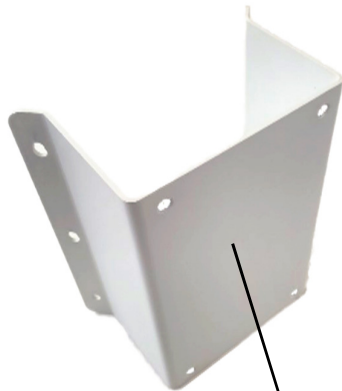


CMPL Long Arm Wall Corner Mount Adapter



NOTE: Requires JBP-W junction box with wall mount (Sold separately, not included).

CMPL	
Color	Hikvision white
Feature	Suitable for speed dome wall corner mounting
Material	Aluminum alloy and steel
Dimensions	10.06" x 12.36" x 21.51" (255.5 mm x 314 mm x 546.4 mm)
Weight	18.51 lbs (8396 g)

Order Model

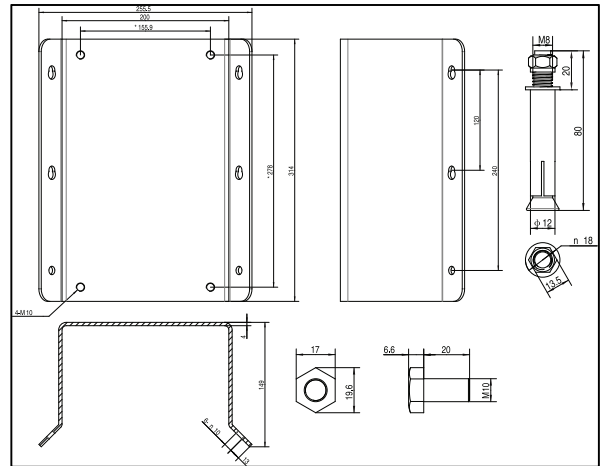
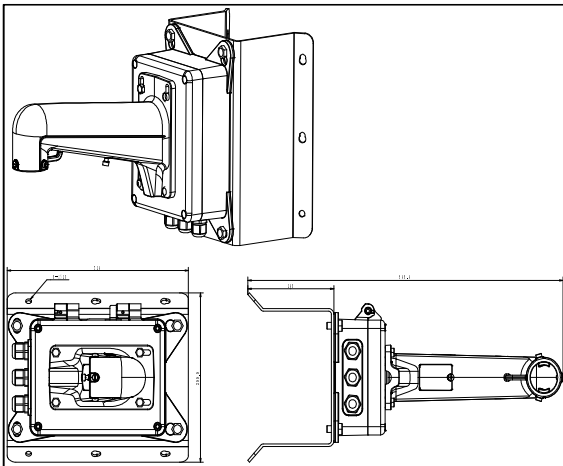
CMPL

NOTE: The wall must be capable of supporting more than three times the total capacity of the camera and the bracket. Load capacity of bracket is 10 kg (22.05 lb).

Key Features

- Safety Rope

Dimensions



Compatible PTZ Cameras

DS-2AE5xxx; DS-2AE7xxx; DS-2DE4xxx; DS-2DE5xxx; DS-2DE6xxx; DS-2DE7xxx; DS-2DF5xxx; DS-2DF6xxx; DS-2DF8xxx

NOTE: The actual adapter may vary from the picture above.