

DS-2CD2623G1-IZS

2 MP Outdoor IR Varifocal Bullet Camera



- 1/2.8" (2 MP) Progressive Scan CMOS
- 1920 x 1080 Resolution @ 30 fps
- EXIR 2.0 Range Up to 165 ft (50 m)
- 2.8 mm to 12 mm Motorized Varifocal Lens
- H.265+, H.265, H.264+, H.264
- 120 dB True WDR
- MicroSD Card Slot Supports 128 GB
- IP67 Protection
- Durable Metal Housing
- 12 VDC and PoE+ (802.3at)

The Hikvision DS-2CD2623G1-IZS Outdoor IR Varifocal Bullet Camera provides high definition network output. It supports H.265+ video compression, which assures savings in bandwidth and storage.

The camera is equipped with a 2.8 mm to 12 mm motorized varifocal lens and offers an IR range of up to 165 ft (50 m).

Smart features such as line crossing and intrusion detection are supported.

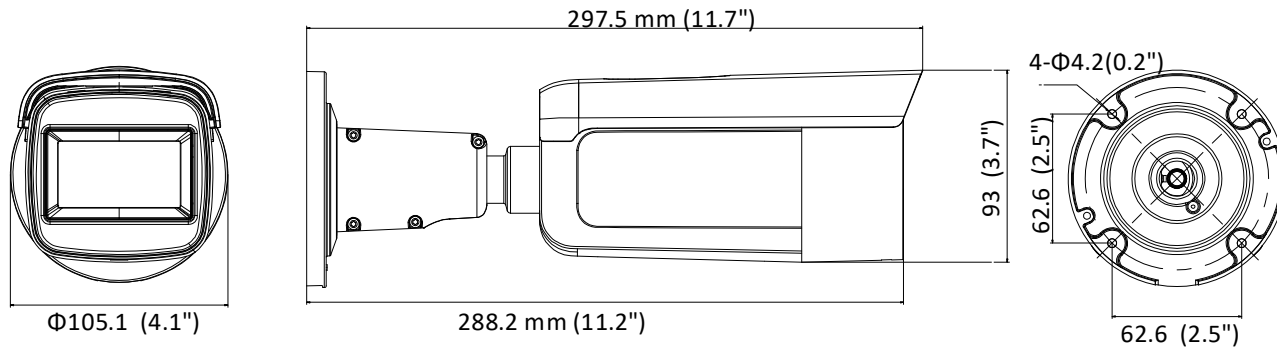
Available models:
DS-2CD2623G1-IZS





Specifications

DS-2CD2623G1-IZS	
Camera	
Image Sensor	1/2.8" progressive scan CMOS
Minimum Illumination	Color: 0.01 lux @ (f/1.2, AGC on), 0.018 lux @ (f/1.6, AGC on), 0 lux with IR
Shutter Speed	1/3 s to 1/100,000 s
Slow Shutter	Yes
Auto-Iris	No
Day/Night	IR cut filter
Digital Noise Reduction	3D DNR
	WDR
	120 dB
Angle Adjustment	Pan: 0° to 360°, tilt: 0° to 90°, rotate: 0° to 360°
Lens	
Focal Length	2.8 to 12 mm motorized varifocal lens
Lens Type	Motorized
Aperture	f/1.6
Focus	Auto
FOV	Horizontal FOV: 110° to 31°, vertical FOV: 58° to 18°, diagonal FOV: 136° to 36°
Lens Mount	Ø14
IR	
IR Range	Up to 165 ft (50 m)
Wavelength	850 nm
Compression Standard	
Video Compression	Main stream: H.265+/H.265/H.264+/H.264, sub-stream: H.265+/H.265/H.264+/H.264/MJPEG, third stream: H.265+/H.265/H.264+/H.264
H.264 Type	Main profile/high profile
H.264+	Main stream and sub-stream support
H.265 Type	Main profile
H.265+	Main stream and sub-stream support
Video Bit Rate	32 Kbps to 16 Mbps
Smart Features	
Behavior Analysis	Line crossing detection, intrusion detection
Exception Detection	Yes
Region of Interest	One fixed region for main stream and sub-stream
Image	
Maximum Resolution	1920 × 1080
Main Stream	30 fps (1920 × 1080, 1280 × 960, 1280 × 720)
Sub Stream	30 fps (640 × 480, 640 × 360, 320 × 240)
Third Stream	30 fps (1920 × 1080, 1280 × 720, 640 × 360, 352 × 240)
Image Enhancement	BLC/3D DNR
Image Setting	Rotate mode, saturation, brightness, contrast, sharpness, AGC, and white balance are adjustable by client software or Web browser
Day/Night Switching	Day/night/auto/schedule/triggered by alarm in
Network	
Network Storage	MicroSD/SDHC/SDXC card (128 GB), local storage and NAS (NFS, SMB/CIFS), ANR
Alarm Trigger	Motion detection, video tampering alarm, network disconnected, IP address conflict, illegal login, HDD full, HDD error
Protocols	TCP/IP, ICMP, HTTP, HTTPS, FTP, DHCP, DNS, DDNS, RTP, RTSP, RTCP, PPPoE, NTP, UPnP, SMTP, SNMP, IGMP, 802.1x, QoS, IPv6, UDP, Bonjour
General Function	One-key reset, anti-flicker, 5 streams and up to 5 custom streams, heartbeat, password protection, privacy mask, watermark, and IP address filtering
API	ONVIF (PROFILE S, PROFILE G), ISAPI
Simultaneous Live View	Up to 6 channels
User/Host	Up to 32 users. 3 user levels: administrator, operator, and user
Client	iVMS-4200, Hik-Connect
Web Browser	Plug-in required live view: IE 8+, Chrome 41.0 to 44, Firefox 30.0 to 51, Safari 8.0 to 11 Plug-in free live view: Chrome 45.0+, Firefox 52.0+
Interface	
Audio	1 input (line in/mic.in, 3.5 mm), 1 output (line out, 3.5 mm), mono sound, terminal block
Communication Interface	1-port RJ-45 10M/100M self-adaptive Ethernet port
Alarm	1 input, 1 output (up to 12 VDC, 30 mA), terminal block
Video Output	1 Vp-p composite output (75 Ω/BNC)
On-Board Storage	Built-in microSD/SDHC/SDXC slot, up to 128 GB
	SVC H.264 and H.265 encoding
Reset Button	Yes
Audio	
Environment Noise Filtering	Yes
Audio Sampling Rate	8 kHz/16 kHz/32 kHz/44.1 kHz/48 kHz
Audio Compression	G.711/G.722.1/G.726/MP2L2/PCM
Audio Bit Rate	64 kbps (G.711)/16 kbps (G.722.1)/16 kbps (G.726)/32 to 192 kbps (MP2L2)
General	
Operating Conditions	-22° to 140° F (-30° to 60° C); humidity 95% or less (non-condensing)
Power Supply	12 VDC ±25%, terminal block, PoE (802.3af, class 3)
Power Consumption and Current	12 VDC, 1.2 A, maximum 14.5 W; PoE (802.3at, 37 V to 57 V), 0.43 A to 0.3 A, maximum 18 W
Protection Level	IP67
Material	Metal
Dimensions	Ø4.1" x 11.7" (Ø105.1 mm x 297.5 mm)
Weight	2.80 lbs (1.285 kg)

Dimensions



Accessories (Not Included)

				
CBS Conduit Base	PM Pole Mount	CM Corner Mount	ABS Angled Base	Rubber Weatherproof Sleeve Use when mounting camera at 90° angle. Fill with waterproof sealant to secure. Available at no charge. Order material code: 190702998

Box Contents (Subject to Change without Notice)

CB130 Backbox (Conduit Base)
 Quick Start Guide x 2
 Screws
 Watertight Cable Connector
 Wrench