

## DS-2CC12D9T-AIT3ZE

### 2 MP Ultra-Low Light PoC Bullet Camera



#### Key Features

- 2 MP high performance CMOS
- Ultra-Low Light Pro
- Auto focus, 2.8 mm to 12 mm motorized vari-focal lens
- 120 dB true WDR, 3D DNR
- EXIR 2.0, smart IR, up to 40 m IR distance
- Dual outputs: 1 HD analog output/1 CVBS output
- PoC.at, smart voltage detection
- 1 alarm in/out
- IP67
- Up the Coax (HIKVISION-C)



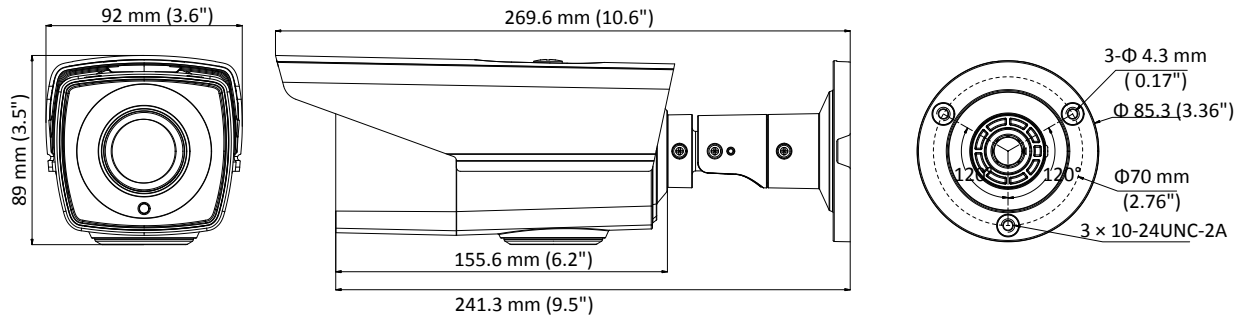
## Specification

| <b>Camera</b>              |   |
|----------------------------|---|
| Image Sensor               | 2.0 megapixel progressive scan CMOS   |
| Signal System              | PAL/NTSC  |
| Effective Resolution       | 1920 (H) × 1080 (V)   |
| Frame Rate                 | PAL: 1080p@25fps<br>NTSC: 1080p@30fps   |
| Min. Illumination          | 0.003 Lux@(F1.2, AGC ON), 0 Lux with IR   |
| Shutter Time               | PAL: 1/25 s to 1/50,000 s<br>NTSC: 1/30 s to 1/50,000 s   |
| Slow Shutter               | Max.: 30 times  |
| Lens                       | 2.8 mm to 12 mm, motorized vari-focal lens  |
| Horizontal Field of View   | 32.1° to 98°  |
| Lens Mount                 | Φ14   |
| Auto Iris                  | Support   |
| Day & Night                | IR cut filter   |
| Angle Adjustment (Bracket) | Pan: 0° to 360°, Tilt: 0° to 90°, Rotate: 0° to 360°  |
| Synchronization            | Internal synchronization  |
| WDR                        | > 120 dB  |
| <b>Menu</b>                |   |
| AGC                        | Support   |
| Day/Night Mode             | Auto/Color/BW (White & Black)   |
| White Balance              | ATW/AWC-SET/MANUAL  |
| Privacy Mask               | ON/OFF, 8 programmable privacy masks  |
| Motion Detection           | 4 programmable motion areas   |
| Backlight Compensation     | WDR/BLC/HLC/OFF   |
| 2D & 3D DNR                | ON/OFF  |
| Voltage Detection          | Support   |
| Scene                      | Indoor/outdoor/indoor1/low light  |
| Functions                  | Defog, Mirror, Defective Pixel Correction, Sharpness, Camera Title, LSC (Lens Shading Correction) |
| <b>Interface</b>           |   |
| Video Output               | 1 HD analog output/1 CVBS output (75Ω/BNC)  |
| Alarm                      | 1 alarm in/out  |
| <b>General</b>             |   |
| Operating Conditions       | -40° C to 60° C (-40° F to 140° F), humidity: 90% or less (no condensation)                       |
| Power Supply               | 24 VAC/12 VDC ±30%/PoC.at   |
| Ingress Protection         | IP67  |
| Material                   | Metal   |
| IR Distance                | Up to 40 m  |
| Power Consumption          | Max.: 7.5 W   |
| Communication              | Up the coax, Protocol: HIKVISION-C  |
| Dimensions                 | 92 mm × 85.3 mm × 269.6 mm (3.62" × 3.36" × 10.61")   |
| Weight                     | Approx. 700 g (1.54 lb.)  |

## Order Model

DS-2CC12D9T-AIT3ZE

## Dimensions



Distributed by



### Headquarters

No.555 Qianmo Road, Binjiang District,  
Hangzhou 310051, China  
T +86-571-8807-5998  
overseasbusiness@hikvision.com

**Hikvision USA**  
T +1-909-895-0400  
sales.usa@hikvision.com

**Hikvision Italy**  
T +39-0438-6902  
info.it@hikvision.com

**Hikvision Singapore**  
T +65-6684-4718  
sg@hikvision.com

**Hikvision Europe**  
T +31-23-5542770  
saleseuro@hikvision.com

**Hikvision France**  
T +33(0)11-85-330-444  
info.fr@hikvision.com

**Hikvision Oceania**  
T +61-2-8599-4233  
salesau@hikvision.com

**Hikvision Middle East**  
T +971-4-8816086  
salesme@hikvision.com

**Hikvision Spain**  
T +34-91-737-16-55  
info.es@hikvision.com

**Hikvision Hong Kong**  
T +852-2151-1761

**Hikvision Russia**  
T +7-495-669-67-99  
saleru@hikvision.com

**Hikvision Poland**  
T +48-22-460-01-50  
poland@hikvision.com

**Hikvision Canada**  
T +1-909-895-0400  
sales.usa@hikvision.com

**Hikvision India**  
T +91-22-28469900  
sales@pramahikvision.com

**Hikvision UK**  
T +44-1628-9021-4  
support.uk@hikvision.com