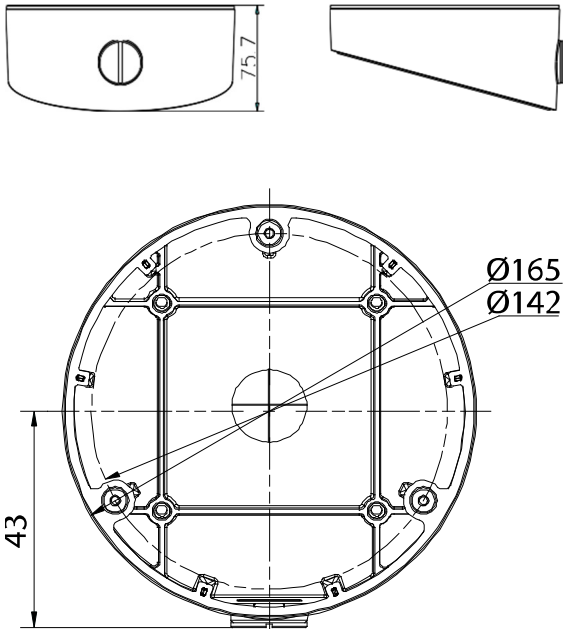


AB165 Dome Camera Inclined Ceiling Mount



- Aluminum Alloy Material with Surface Spray Treatment
- Waterproof Design
- Cable Hole on Bracket

Dimensions



AB165	
Description	Inclined ceiling mount for dome camera
Appearance	Hikvision white
Material	Aluminum alloy
Dimension	Ø6.5" x 2.95" (Ø165 mm x 75 mm)
Weight	15 oz (425 g)

Order Model

AB165

- NOTES:**
- The mount should be installed on a flat wall.
 - Waterproof rubber is necessary for outdoor application.
 - The wall must be capable of supporting over three times as much as the total weight of the camera and the mount.
 - The maximum load capacity of the mount is 9.92 lbs (4.5 kg).