
SPECIFICATION DATA

Tensioned Advantage Series



Table of Contents

Tensioned Advantage (with Closure Door)

Previously Named: Tensioned Advantage Deluxe Electrol

Tensioned Advantage

Previously Named: Tensioned Advantage Electrol

Tensioned Advantage® (over 14' W with Closure Door)

Previously Named: Tensioned Large Advantage Deluxe Electrol

Tensioned Advantage® (over 14' W)

Previously Named: Tensioned Large Advantage Electrol

Tensioned Advantage (with Closure Door)

Previously Named: Tensioned Advantage Deluxe Electrol



SPECIFICATION DATA

SUGGESTED SPECIFICATIONS: _____ projection screen(s), _____(H) x _____(W). The Tensioned Advantage® (with Closure Door) screen shall have two motors, one to operate door and one to operate screen. Door motor electrically operated 120 volt (60 Hz) not more than 1.2 amp. Shall have motor mounted inside the roller, to be three wire with ground, quick reversal type, oiled for life, with automatic thermal overload cutout, integral gears, capacitor and an electric brake to prevent coasting. To have pre-set but adjustable limit switches to automatically stop fabric door in the "down" position. The door will lift to the closed position where a micro switch shall cut off the electrical current to the door motor. The roller to be of rigid aluminum. Screen motor is electrically operated 120 volt (60 Hz) not more than 2.4 amp. Shall have motor mounted inside the roller, to be three wire with ground quick reversal type, oiled for life, with automatic thermal overload cutout, integral gears, capacitor and an electric brake to prevent coasting. To have pre-set but adjustable limit switches to automatically stop picture surface in the "up" and "down" positions. The roller to be of rigid metal. Screen fabric to be seamless and mildew resistant with black masking borders standard. Each side of the fabric to have tab guide cable system to maintain even lateral tension and hold surface flat. Custom slat bar with added weight maintains vertical tension on the screen

surface. The ends of the slat to be protected by heavy duty plastic caps enclosing a preset adjustable mechanism for screen tensioning. Case shall be a white powder coated extruded aluminum. Bottom of case to be self-trimming with a built-in flange around the bottom of the case. A section of the bottom of the case shall be an aluminum door equipped with hinges so that it opens and closes automatically with the lowering and raising of the picture surface. The balance of the bottom of the case shall be a second hinged aluminum door with manual opening to provide access. Hinges shall be mounted in a concealed way. Junction box shall be internally integrated into the housing making it possible to install the housing and wire to the building's electrical system during construction. The junction box shall contain a quick connector that is mounted in the housing for easy plug-in connection to the motorized fabric and roller assembly. The motorized fabric and roller assembly to be installed in the case at the factory or at a later time at the job site. To be complete with integrated low voltage control unit and three position control switch and cover plate. Suitable for use in environmental air space in accordance with section 300-22 (c) of the National Electric Code, and sections 2-128, 12-010 (3) and 12-100 of the Canadian Electrical Code, part 1, CSA C22.1. Screen to be listed by Underwriters' Laboratories.



HDTV (16:9) Format Dimensions

Viewing Area (H x W)		Nominal Diagonal		Overall Length of Case* For Vinyl Surfaces**		Overall Length of Case* For Parallax® Pure Surface		Approx. Ship. Wt.	
In.	Cm	In.	Cm	In.	Cm	In.	Cm	Lbs.	Kg
45" x 80"	114 x 203	92"	234	102¾"	261	101¾"	258	125	56.7
52" x 92"	132 x 234	106"	269	115¾"	293	114¾"	290	140	63.5
54" x 96"	137 x 244	110"	279	119¾"	304	118¾"	302	145	65.8
58" x 104"	147 x 264	119"	302	128¾"	326	127¾"	323	150	68
65" x 116"	165 x 295	133"	338	141¾"	359	-	-	163	73.9
78" x 139"	198 x 353	159"	404	166¾"	422	-	-	188	85.3
90" x 160"	229 x 406	184"	467	184¾"	468	-	-	203	92.3

Wide (16:10) Format Dimensions

Viewing Area (H x W)		Nominal Diagonal		Overall Length of Case* For Vinyl Surfaces**		Overall Length of Case* For Parallax® Pure Surface		Approx. Ship. Wt.	
In.	Cm	In.	Cm	In.	Cm	In.	Cm	Lbs.	Kg
50" x 80"	127 x 203	94"	239	103¾"	262	102¾"	260	125	56.7
57½" x 92"	146 x 234	109"	277	116¾"	295	114¾"	291	148	67.1
60" x 96"	152 x 244	113"	287	120¾"	307	-	-	145	65.8
65" x 104"	165 x 264	123"	312	129¾"	328	-	-	150	68
69" x 110"	175 x 279	130"	330	135¾"	345	-	-	157	71.2
72½" x 116"	184 x 295	137"	348	142¾"	361	-	-	170	77.1
87" x 139"	221 x 353	164"	417	163¾"	415	-	-	188	85.3
100" x 160"	254 x 406	189"	480	185¾"	471	-	-	203	92.1

Video (NTSC 4:3) Format Dimensions

Viewing Area (H x W)		Nominal Diagonal		Overall Length of Case* For Vinyl Surfaces**		Approx. Ship. Wt.	
In.	Cm	In.	Cm	In.	Cm	Lbs.	Kg
43" x 57"	109 x 145	72"	183	79¾"	201	102	46.3
50" x 67"	127 x 170	84"	213	90¾"	229	114	51.7
60" x 80"	152 x 203	100"	254	104¾"	265	125	56.7
69" x 92"	175 x 234	120"	305	118¾"	300	148	67.1
87" x 116"	221 x 295	150"	381	145¾"	369	170	77.1
108" x 144"	274 x 366	180"	457	170¾"	432	189	85.7
120" x 160"	305 x 406	200"	508	187¾"	476	203	92.1

*Case length does not include flange.

**Vinyl surfaces include all Parallax Stratos, HD Progressive, Da-Mat®, Da-Tex® and Dual Vision surfaces.

PRODUCT NOTES

- All screens except Parallax Pure are standard with 12" black drop at the top. Screens with Parallax Pure surface standard with 2" of black drop at the top. Extra drop may alter case dimensions. Contact Da-Lite for details.
- Overall case length dimensions +/- 1/4" (6mm).
- Detail dimensional drawings, wiring diagrams and installation instructions available upon request.
- Specifications subject to change without notice.
- Custom formats and sizes available upon request.

SURFACE INFORMATION

- All viewing surfaces are standard with black backing except Da-Tex and Dual Vision.
- Parallax Pure available in sizes up to 58" x 104" in HDTV format and 57 1/2" x 92" in Wide format.
- HD Progressive 1.1 Perf and HD Progressive 1.1 Contrast Perf available in sizes up to 87" x 116" in Video format and 78" x 139" in HDTV format.
- All surfaces will be seamless in the image area.
- All HD Progressive, Da-Mat, Da-Tex and Dual Vision surfaces are fire retardant.

WHEN ORDERING, MARK APPROPRIATE SELECTIONS

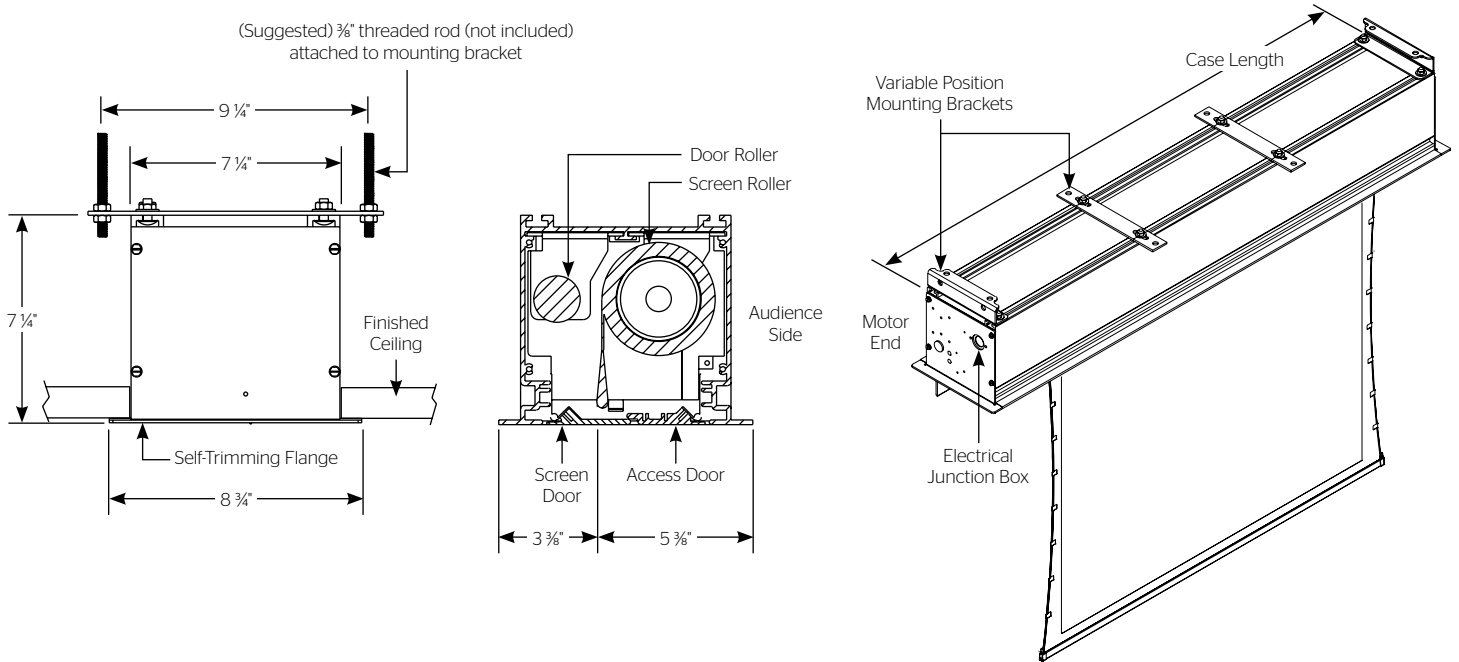
1. Select size from charts.
2. Select viewing surface (Da-Lite surfaces are GREENGUARD GOLD Certified):

Parallax Pure 0.8	HD Progressive 1.1 Contrast Perf
Parallax Stratos 1.0	HD Progressive 1.3
HD Progressive 0.6	Da-Mat
HD Progressive 0.9	Da-Tex (Rear)
HD Progressive 1.1	Dual Vision
HD Progressive 1.1 Perf	
HD Progressive 1.1 Contrast	
3. Options:

220 Volt (50 Hz) Motor	SCB-100 RS-232 Serial Control Board - built-in
Video Projector Interface Control - built-in	NET-100 Ethernet-Serial Adapter
4. Optional Accessories:

Wireless Remote Control for LVC	Infrared Remote
Radio Frequency Remote	Key Locking Cover Plate for LVC Switch
Radio Frequency Range Extender	

SUGGESTED CEILING INSTALLATION



Project Name: _____	
Architect: _____	
Contractor: _____	Phone: _____
Reseller: _____	Phone: _____

Tensioned Advantage

Previously Named: Tensioned Advantage Electrol



SPECIFICATION DATA

SUGGESTED SPECIFICATIONS: _____ projection screen(s), _____(H) x _____(W), electrically operated 120 volt (60 Hz) not more than 2.4 amp. with a quick connect male plug-in connector on the motor. Shall have specially designed motor mounted inside the roller, to be three wire with ground, quick reversal type, oiled for life, with automatic thermal overload cutout, integral gears, capacitor and an electric brake to prevent coasting. To have preset but adjustable limit switches to automatically stop picture surface in the "up" and "down" positions. Junction box shall be externally integrated into the housing making it possible to install the housing and wire to the building's electrical system during construction. The junction box shall contain a quick connector that is mounted in the housing for easy plug-in connection to the motorized fabric and roller assembly. The motorized fabric and roller assembly to be installed in the case at the factory or at a later time at the job site. The fabric roller to be of rigid steel. Screen to be designed for left or right-hand motor installation. Screen fabric to be seamless and mildew resistant

with black masking borders standard. Each side of the fabric to have tab guide cable system to maintain even lateral tension and hold surface flat. Custom slat bar with added weight maintains vertical tension on the screen surface. The ends of the slat to be protected by heavy duty plastic caps enclosing a preset adjustable mechanism for screen tensioning. Top, front and back of case to be made of extruded aluminum powder coated white. End caps to be of heavy gauge steel powder coated white. Bottom of case to have a removable access door. Door to be of extruded aluminum powder coated white. Bottom of case to be self-trimming, with a built-in flange around the bottom of the case. To be complete with integrated low voltage control unit and three position control switch and cover plate. Suitable for use in environmental air space in accordance with section 300-22 (c) of the National Electric Code, and sections 2-128, 12-010 (3) and 12-100 of the Canadian Electrical Code, part 1, CSA C22.1. Screen to be listed by Underwriters' Laboratories.



HDTV (16:9) Format Dimensions

Viewing Area (H x W)		Nominal Diagonal		Overall Length of Case* For Vinyl Surfaces**		Overall Length of Case* For Parallax® Pure Surface		Approx. Ship. Wt.	
In.	Cm	In.	Cm	In.	Cm	In.	Cm	Lbs.	Kg
45" x 80"	114 x 203	92"	234	96"	244	95"	241	92	41.7
52" x 92"	132 x 234	106"	269	108½"	276	107½"	273	99	44.9
54" x 96"	137 x 244	110"	279	113"	287	112"	284	104	47.2
58" x 104"	147 x 264	119"	302	121½"	309	120½"	306	114	51.7
65" x 116"	165 x 295	133"	338	134½"	342	-	-	135	61.2
78" x 139"	198 x 353	159"	404	159½"	405	-	-	148	67.1
90" x 160"	229 x 406	184"	467	177½"	450	-	-	169	76.8

Wide (16:10) Format Dimensions

Viewing Area (H x W)		Nominal Diagonal		Overall Length of Case* For Vinyl Surfaces**		Overall Length of Case* For Parallax® Pure Surface		Approx. Ship. Wt.	
In.	Cm	In.	Cm	In.	Cm	In.	Cm	Lbs.	Kg
50" x 80"	127 x 203	94"	239	96½"	245	95½"	243	92	41.7
57½" x 92"	146 x 234	109"	277	109½"	278	108"	274	111	50.3
60" x 96"	152 x 244	113"	287	114"	290	-	-	104	47.2
65" x 104"	165 x 264	123"	312	122½"	311	-	-	114	51.7
69" x 110"	175 x 279	130"	330	129"	328	-	-	125	56.7
72½" x 116"	184 x 295	137"	348	135½"	344	-	-	135	61.2
87" x 139"	221 x 353	164"	417	156½"	398	-	-	148	67.1
100" x 160"	254 x 406	189"	480	178½"	453	-	-	169	76.8

Video (NTSC 4:3) Format Dimensions

Viewing Area (H x W)		Nominal Diagonal		Overall Length of Case* For Vinyl Surfaces**		Approx. Ship. Wt.	
In.	Cm	In.	Cm	In.	Cm	Lbs.	Kg
43" x 57"	109 x 145	72"	183	72½"	184	77	34.9
50" x 67"	127 x 170	84"	213	83½"	212	86	39.0
60" x 80"	152 x 203	100"	254	97½"	248	98	44.5
69" x 92"	175 x 234	120"	305	111½"	283	111	50.3
87" x 116"	221 x 295	150"	381	138½"	352	135	61.2
108" x 144"	274 x 366	180"	457	163½"	415	151	68.5
120" x 160"	305 x 406	200"	508	180½"	458	169	76.7

*Case length does not include flange.

**Vinyl surfaces include all Parallax Stratos, HD Progressive, Da-Mat®, Da-Tex® and Dual Vision surfaces.

PRODUCT NOTES

- All screens except Parallax Pure standard with 12" black drop at the top. Screens with Parallax Pure surface standard with 2" of black drop at the top. Extra drop may alter case dimensions. Contact Da-Lite for details.
- Overall case length dimensions +/- ¼" (6mm).
- Electrical junction box extends 2½" (5.4 cm) past case length on left end of case, 1½" (2.9 cm) past ceiling flange.
- Internal junction box available. Will add 3½" (8.9 cm) to overall case length and must be specified at time of order, recommended for drywall installations.
- Junction box on top of case available. Will add 3½" (8.9 cm) to overall case length and 1½" (4.8 cm) to height at left end of case; must be specified at time of order.
- Detail dimensional drawings, wiring diagrams and installation instructions available upon request.

PRODUCT NOTES (continued)

- Specifications subject to change without notice.
- Custom formats and sizes available upon request.
- All screens come standard with the Silent Drive System.

SURFACE INFORMATION

- All viewing surfaces are standard with black backing except Da-Tex and Dual Vision.
- Parallax Pure available in sizes up to 58" x 104" in HDTV format and 57½" x 92" in Wide format.
- HD Progressive 1.1 Perf and HD Progressive 1.1 Contrast Perf available in sizes up to 87" x 116" in Video format and 78" x 139" in HDTV format.
- All surfaces will be seamless in the image area.
- All HD Progressive, Da-Mat, Da-Tex and Dual Vision surfaces are fire retardant.

WHEN ORDERING, MARK APPROPRIATE SELECTIONS

1. Select size from charts.

2. Select viewing surface (Da-Lite surfaces are GREENGUARD GOLD Certified):

- | | |
|----------------------------------|--------------------|
| Parallax Pure 0.8 | HD Progressive 1.3 |
| Parallax Stratos 1.0 | Da-Mat |
| HD Progressive 0.6 | Da-Tex (Rear) |
| HD Progressive 0.9 | Dual Vision |
| HD Progressive 1.1 | |
| HD Progressive 1.1 Perf | |
| HD Progressive 1.1 Contrast | |
| HD Progressive 1.1 Contrast Perf | |

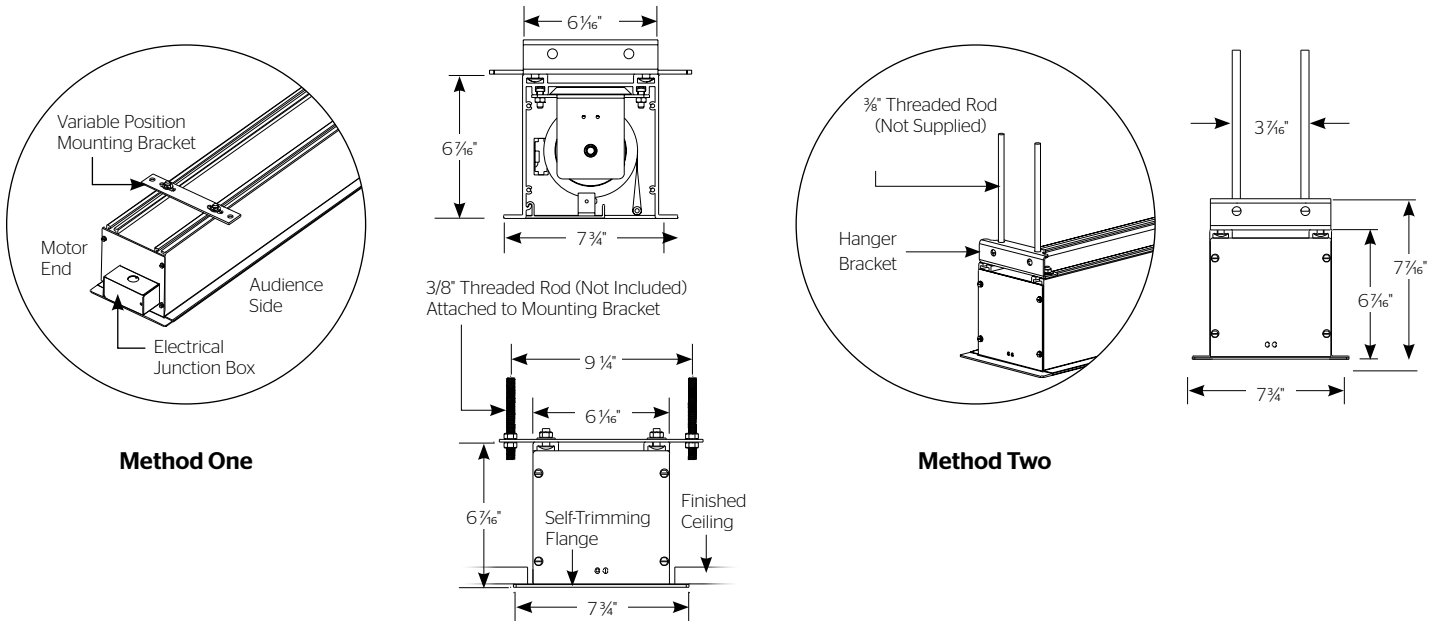
3. Options:

- | | |
|---|---|
| Internal Junction Box (see product notes) | SCB-100 RS-232 Serial Control Board - built-in (adds 10" to overall length of case) |
| Junction Box on Top of Case (see product notes) | NET-100 Ethernet-Serial Adapter |
| 220 Volt (50 Hz) Motor | SCB-200 RS-232 Serial Control Board - built-in (adds 10" to overall length of case) |
| Video Projector Interface Control - built-in | WC-200 Wall Controller |
| | IR-200 Infrared Remote |

4. Optional Accessories:

- | | |
|---------------------------------|--|
| Wireless Remote Control for LVC | Key Locking Cover Plate for LVC Switch |
| Radio Frequency Remote | |
| Radio Frequency Range Extender | |
| Infrared Remote | |

SUGGESTED METHODS OF INSTALLATION:



Project Name: _____

Architect: _____

Contractor: _____ Phone: _____

Reseller: _____ Phone: _____

Tensioned Advantage® (over 14' W with Closure Door)



SPECIFICATION DATA

Previously Named: Tensioned Large Advantage Deluxe Electrol

SUGGESTED SPECIFICATIONS: _____ projection screen(s), _____(H) x _____(W). The Tensioned Advantage® (over 14' W with Closure Door) screen shall have two motors, one to operate door and one to operate screen. Door motor electrically operated 120 volt (60 Hz) not more than 1.2 amp. Shall have motor mounted inside the roller, to be three wire with ground, quick reversal type, oiled for life, with automatic thermal overload cutout, integral gears, capacitor and an electric brake to prevent coasting. To have pre-set but adjustable limit switches to automatically stop fabric door in the "down" position. The door will lift to the closed position where a micro switch shall cut off the electrical current to the door motor. The roller to be of 1.6" diameter aluminum. Screen motor is electrically operated 120 volt (60 Hz) not more than 2.4 amp. Shall have motor mounted inside the roller, to be three wire with ground quick reversal type, oiled for life, with automatic thermal overload cutout, integral gears, capacitor and an electric brake to prevent coasting. To have pre-set but adjustable limit switches to automatically stop picture surface in the "up" and "down" positions. The fabric roller to be of 4½" diameter (5¾" if 270" diagonal, 275" diagonal, or 298" diagonal) metal. Screen fabric to be seamless and mildew resistant with black masking borders standard. Each side of the fabric to have tab guide cable system to maintain even lateral tension and hold surface flat. Custom slat bar with added weight

maintains vertical tension on the screen surface. The ends of the slat to be protected by heavy duty plastic caps enclosing a preset adjustable mechanism for screen tensioning. Case shall be a white powder coated extruded aluminum. Bottom of case to be self-trimming with a built-in flange around the bottom of the case. A section of the bottom of the case shall be a retractable aluminum door that opens and closes automatically with the lowering and raising of the picture surface. The balance of the bottom of the case shall be a second hinged aluminum door with manual opening to provide access. Hinges shall be mounted in a concealed way. Junction box shall be internally integrated into the housing making it possible to install the housing and wire to the building's electrical system during construction. The junction box shall contain a quick connector that is mounted in the housing for easy plug-in connection to the motorized fabric and roller assembly. The motorized fabric and roller assembly to be installed in the case at the factory or at a later time at the job site. To be complete with integrated low voltage control unit and three position control switch with cover plate. Suitable for use in environmental air space in accordance with section 300-22 (c) of the National Electric Code, and sections 2-128, 12-010 (3) and 12-100 of the Canadian Electrical Code, part 1, CSA C22.1. Screen to be listed by Underwriters' Laboratories.



HDTV (16:9) Format Dimensions

Viewing Area (H x W)		Nominal Diagonal		Overall Length of Case*		Approx. Ship. Wt.	
In.	Cm	In.	Cm	In.	Cm	Lbs.	Kg
108" x 192"	274 x 488	220"	559	221½"	562	688	312.1
121" x 216"	307 x 549	247"	627	247½"	628	764	346.5
135" x 240"	343 x 610	275"	699	273½"	694	841	381.5
146" x 260"	371 x 660	298"	757	294½"	748	870	394.6

Wide (16:10) Format Dimensions

Viewing Area (H x W)		Nominal Diagonal		Overall Length of Case*		Approx. Ship. Wt.	
In.	Cm	In.	Cm	In.	Cm	Lbs.	Kg
110" x 176"	279 x 447	208"	528	205½"	523	691	313.4
120" x 192"	305 x 488	226"	574	222½"	565	729	330.7
135" x 216"	342 x 549	255"	648	250½"	636	764	346.5
150" x 240"	381 x 610	283"	719	276½"	701	841	381.5

Video (NTSC 4:3) Format Dimensions

Viewing Area (H x W)		Nominal Diagonal		Overall Length of Case*		Approx. Ship. Wt.	
In.	Cm	In.	Cm	In.	Cm	Lbs.	Kg
126" x 168"	320 x 427	210"	533	199½"	507	628	284.9
132" x 176"	335 x 447	220"	559	208½"	530	655	297.1
144" x 192"	366 x 488	240"	610	226½"	574	708	321.1
162" x 216"	411 x 549	270"	686	251½"	639	781	354.3

*Case length does not include flange.

PRODUCT NOTES

- All viewing surfaces will be seamless.
- All viewing surfaces are standard with black backing except Da-Tex® and Dual Vision.
- All screens standard with 12" black drop at the top, except 270" diagonal, which has 2".
- Extra drop may alter case dimensions. Contact Da-Lite for details.
- Overall case length dimensions +/- ¼" (6mm).
- Detail dimensional drawings, wiring diagrams and installation instructions available upon request.
- Specifications subject to change without notice.
- Custom formats and sizes available upon request.
- All HD Progressive, Da-Mat, Da-Tex and Dual Vision surfaces are fire retardant.

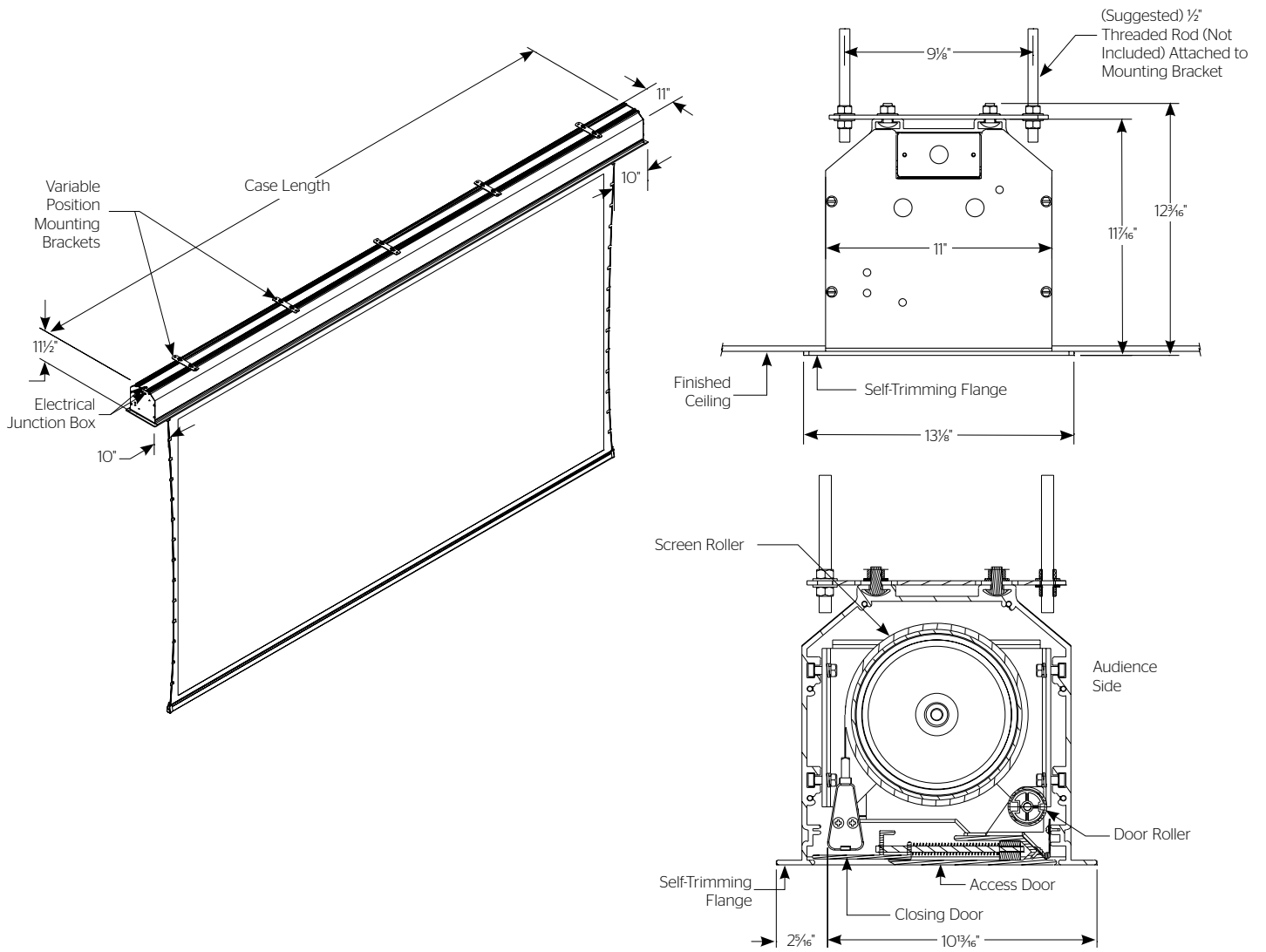
WHEN ORDERING, MARK APPROPRIATE SELECTIONS

- Select size from charts.
- Select viewing surface (Da-Lite surfaces are GREENGUARD GOLD Certified):

Parallax® Stratos 1.0	HD Progressive 1.3
HD Progressive 0.6	Da-Mat
HD Progressive 0.9	Da-Tex (Rear)
HD Progressive 1.1	Dual Vision
HD Progressive 1.1 Contrast	
- Options:
 - 220/240 Volt (50 Hz) Motor
- Optional Accessories:

Wireless Remote Control for LVC	Infrared Remote
Radio Frequency Remote	Key Locking Cover Plate for 120 V
Radio Frequency Range Extender available	Switch or LVC

PRODUCT VIEWS



Project Name:	_____
Architect:	_____ Phone: _____
Contractor:	_____ Phone: _____
Supervisor:	_____ Phone: _____
Supplier:	_____ Date: _____
Revised:	_____

Tensioned Advantage® (over 14' W)

Previously Named: Tensioned Large Advantage Electrol



SPECIFICATION DATA

SUGGESTED SPECIFICATIONS: _____ projection screen(s), _____(H) x _____(W), electrically operated 120 volt (60 Hz) not more than 2.4 amp. with a quick connect male plug-in connector on the motor. Shall have specially designed motor mounted inside the roller, to be three wire with ground, quick reversal type, oiled for life, with automatic thermal overload cutout, integral gears, capacitor and an electric brake to prevent coasting. To have preset but adjustable limit switches to automatically stop picture surface in the "up" and "down" positions. Junction box shall be internally integrated into the housing making it possible to install the housing and wire to the building's electrical system during construction. The junction box shall contain a quick connector that is mounted in the housing for easy plug-in connection to the motorized fabric and roller assembly. The motorized fabric and roller assembly to be installed in the case at the factory or at a later time at the job site. The fabric roller to be of 4½" diameter (5¾" if 270" diagonal, 275" diagonal, or 298" diagonal) metal. Screen to be designed for left or right-hand motor installation.

Screen fabric to be seamless and mildew resistant with black masking borders standard. Each side of the fabric to have tab guide cable system to maintain even lateral tension and hold surface flat. Custom slat bar with added weight maintains vertical tension on the screen surface. The ends of the slat to be protected by heavy duty plastic caps enclosing a preset adjustable mechanism for screen tensioning. Case to be made of extruded aluminum powder coated white. End caps to be of heavy gauge steel powder coated white. Bottom of case to have a removable access door. Door to be of extruded aluminum powder coated white. Bottom of case to be self-trimming, with a built-in flange around the bottom of the case. To be complete with integrated low voltage control unit and three position control switch with cover plate. Suitable for use in environmental air space in accordance with section 300-22 (c) of the National Electric Code, and sections 2-128, 12-010 (3) and 12-100 of the Canadian Electrical Code, part 1, CSA C22.1. Screen to be listed by Underwriters' Laboratories.



HDTV (16:9) Format Dimensions

Viewing Area (H x W)		Nominal Diagonal		Overall Length of Case*		Approx. Ship. Wt.	
In.	Cm	In.	Cm	In.	Cm	Lbs.	Kg
108" x 192"	274 x 488	220"	559	221½"	562	652	295.7
121" x 216"	307 x 549	247"	627	247½"	628	727	329.8
135" x 240"	343 x 610	275"	699	273½"	694	803	364.2
146" x 260"	371 x 660	298"	757	294¾"	748	847	384.2

Wide (16:10) Format Dimensions

Viewing Area (H x W)		Nominal Diagonal		Overall Length of Case*		Approx. Ship. Wt.	
In.	Cm	In.	Cm	In.	Cm	Lbs.	Kg
110" x 176"	279 x 447	208"	528	205½"	523	691	313.4
120" x 192"	305 x 488	226"	574	222½"	565	729	330.7
135" x 216"	342 x 549	255"	648	250½"	636	727	329.8
150" x 240"	381 x 610	283"	719	276½"	701	803	364.2

Video (NTSC 4:3) Format Dimensions

Viewing Area (H x W)		Nominal Diagonal		Overall Length of Case*		Approx. Ship. Wt.	
In.	Cm	In.	Cm	In.	Cm	Lbs.	Kg
126" x 168"	320 x 427	210"	533	199½"	507	594	269.4
132" x 176"	335 x 447	220"	559	208½"	530	620	281.2
144" x 192"	366 x 488	240"	610	226½"	574	672	304.8
162" x 216"	411 x 549	270"	686	251½"	639	744	337.5

*Case length does not include flange.

PRODUCT NOTES

- All surfaces will be seamless.
- All viewing surfaces are standard with black backing except Da-Tex® and Dual Vision.
- All screens standard with 12" black drop at the top except 270" diagonal, which has 2".
- Extra drop may alter case dimensions. Contact Da-Lite for details.
- Overall case length dimensions +/- ¼".
- Detail dimensional drawings, wiring diagrams and installation instructions available upon request.
- Specifications subject to change without notice.
- Custom formats and sizes available upon request.
- All HD Progressive, Da-Mat, Da-Tex and Dual Vision surfaces are fire retardant.

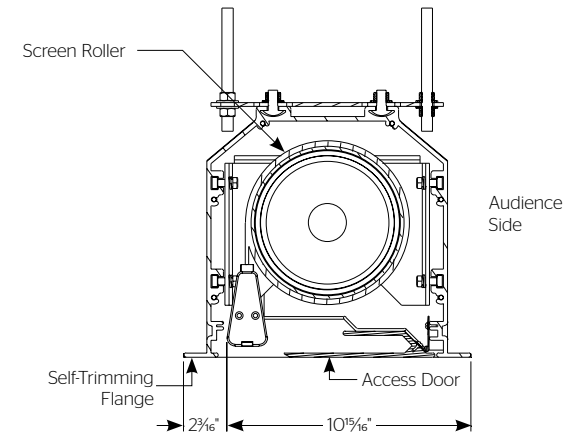
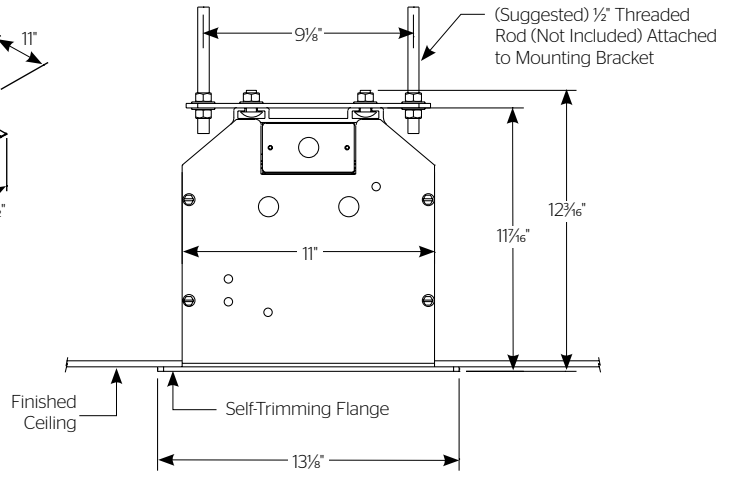
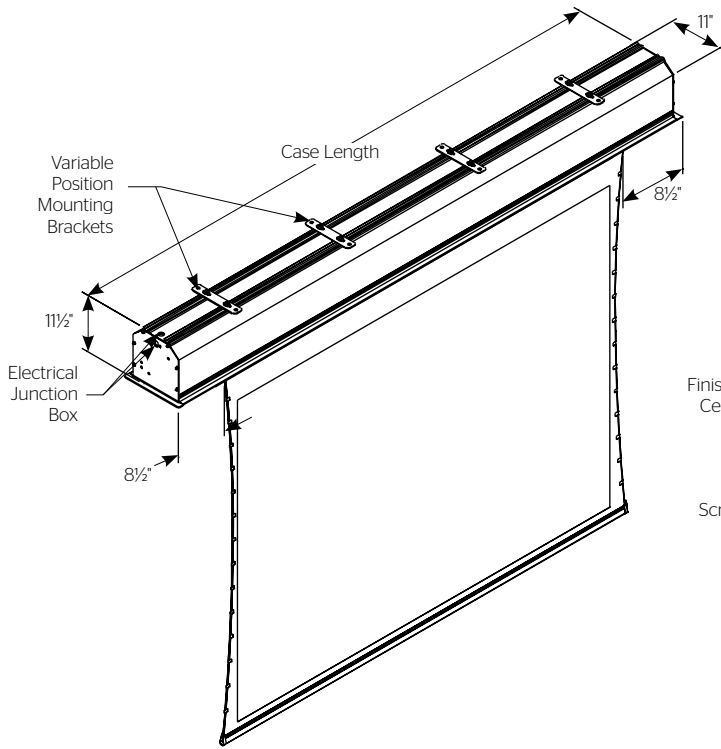
WHEN ORDERING, MARK APPROPRIATE SELECTIONS

- Select size from charts.
- Select viewing surface (Da-Lite surfaces are GREENGUARD GOLD Certified):

Parallax Stratos 1.0	HD Progressive 1.3
HD Progressive 0.6	Da-Mat
HD Progressive 0.9	Da-Tex (Rear)
HD Progressive 1.1	Dual Vision
HD Progressive 1.1 Contrast	
- Options:
 - 220/240 Volt (50 Hz) Motor
- Optional Accessories:

Wireless Remote Control for LVC	Key Locking Cover Plate for 120 V Switch or LVC
Radio Frequency Remote	
Radio Frequency Range Extender available	
Infrared Remote	

PRODUCT VIEWS



Project Name:	_____
Architect:	_____ Phone: _____
Contractor:	_____ Phone: _____
Supervisor:	_____ Phone: _____
Supplier:	_____ Date: _____
Revised:	_____



FOR YOUR IMAGE | legrandav.com

USA	P 866.977.3901	E av.da-lite.support@legrand.com
CANADA	P 877.345.4329	E av.da-lite.support@legrand.com
EMEA	P +31 495 580 840	E av.emea.sales@legrand.com
APAC	P +852 2145 4099	E av.asia.sales@legrand.com

© 2020 Legrand AV Inc. 190338 (REV 1) 3/20 Da-Lite is a registered trademark of Legrand AV Inc. All other brand names or marks are used for identification purposes and are trademarks of their respective owners. All patents are protected under existing designations. Other patents pending.



COMMERCIAL BRANDS

Chief | Da-Lite | Middle Atlantic | Projecta | Vaddio