

equiP® Camera Mounts

Mini Dome, Fisheye, and Bullet Camera Accessories HD4CHIP-WK2/HD4CHIP-PK2/HFG-WK/HFG-PK/HB4G-PM/HB34G-CM/HD3-MK2/HBG-BB

Honeywell is taking quality and reliability to the next level with the new equiP® line of mounts and accessories. The mounts can be used to install equiP® Series cameras to a variety of indoor and outdoor surfaces, including walls, ceilings, and poles—and they look great too!

The simple, solid design of these mounts is an installer’s first choice for ease of installation. All of the mounts provide easy cable routing and the camera and lens can be installed, adjusted, and tested without repositioning the housing.

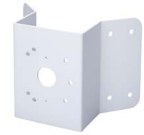
The outdoor mounts feature die-cast aluminum or galvanized steel construction. The indoor mounts use a polycarbonate construction to match the indoor dome material. All the mounts have an off-white powder coating finish that exactly matches the cameras’ finish.

Market Opportunities

Honeywell’s new equiP® line of mounts and accessories provide performance and strength you can depend on. The attractive design, impact-resistant construction, and range of mounting options make these mounts the best solution for all of your indoor and outdoor fixed mini dome, fisheye, and bullet camera applications.



HB4G-PM



HB34G-CM



HD3-MK2



HD4CHIP-WK2



HD4CHIP-PK2



HBG-BB



HFG-PK



HFG-WK

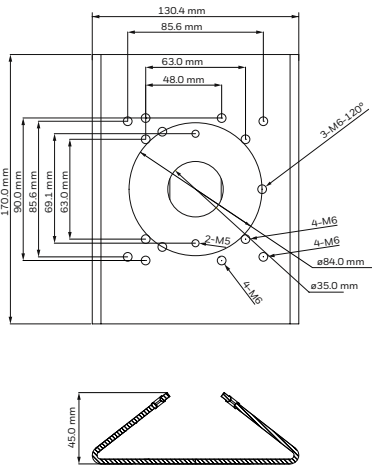


FEATURES & BENEFITS

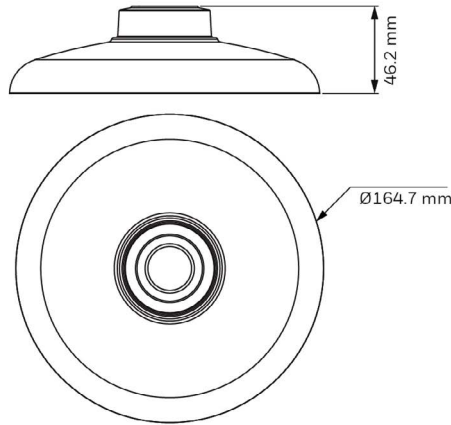
	LOW PROFILE, CONTEMPORARY DESIGN	ECONOMICALLY PRICED	EASY CABLE FEED-THROUGH	CONCEALED WIRING	DIE-CAST ALUMINUM CONSTRUCTION	POLYCARBONATE CONSTRUCTION	SECC CONSTRUCTION	OFF-WHITE POWDER FINISH	GRAY POWDER FINISH	INDOOR	INDOOR/OUTDOOR
HD3-MK2	✓	✓	✓	✓		✓		✓		✓	
HD4CHIP-PK2	✓	✓	✓	✓	✓			✓			✓
HD4CHIP-WK2	✓	✓	✓	✓	✓			✓			✓
HB34G-CM	✓	✓	✓	✓			✓	✓			✓
HB4G-PM	✓	✓	✓	✓			✓	✓			✓
HBG-BB	✓	✓	✓	✓	✓				✓		✓
HFG-WK	✓	✓	✓	✓	✓			✓			✓
HFG-PK	✓	✓	✓	✓	✓			✓			✓

equip® Camera Mounts Dimensions

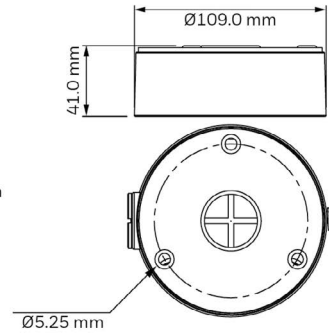
HB4G-PM



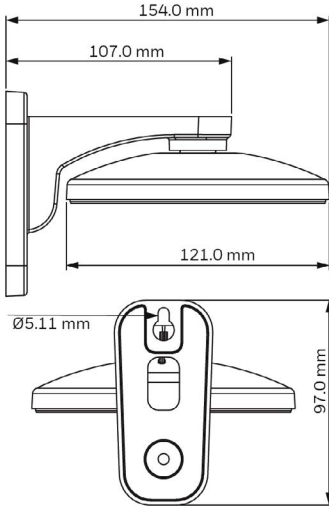
HD4CHIP-PK2



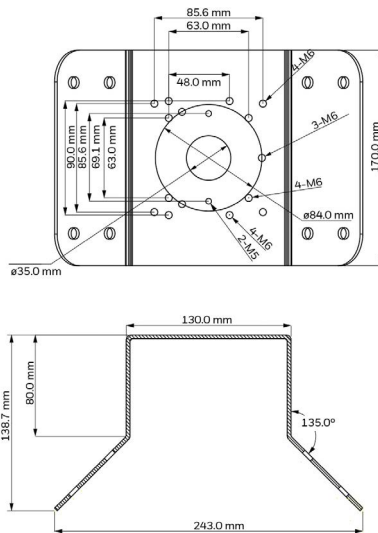
HBG-BB



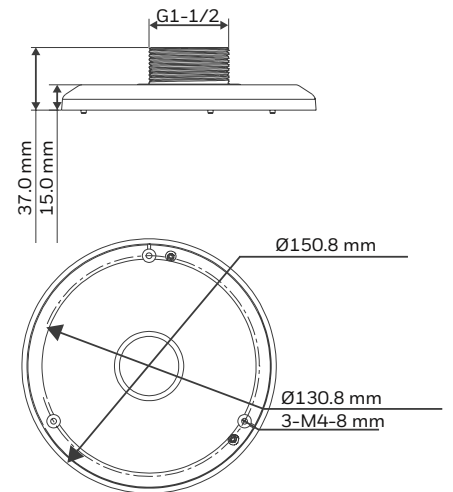
HD3-MK2



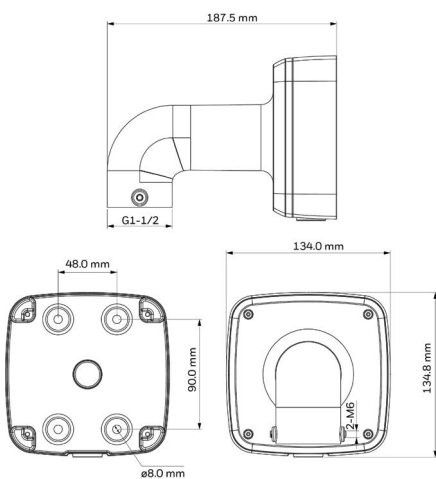
HB34G-CM



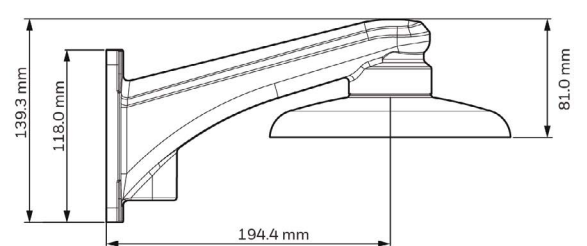
HFG-PK



HFG-WK



HD4CHIP-WK2



equip® Camera Mounts Technical Specifications

MECHANICAL			
MODEL NO.	WEIGHT	CONSTRUCTION/ FINISH	DIMENSIONS
HD3-MK2	0.18 lb (0.08 kg)	Polycarbonate/White powder coating	97.0 mm x 154.0 mm x 121.0 mm (3.82" x 6.06" x 4.76")
HD4CHIP-WK2	1.34 lb (0.61 kg)	Die-cast aluminum/White powder coating	139.3 mm x 215.9 mm x 118.0 mm (5.48" x 8.5" x 4.65")
HD4CHIP-PK2	0.82 lb (0.37 kg)	Die-cast aluminum/White powder coating	46.2 mm x 164.7 mm (1.82" x 6.49")
HB4G-PM	2.05 lb (0.93 kg)	SECC/White powder coating	130.4 mm x 170.0 mm x 45.0 mm (5.1" x 6.7" x 1.8")
HB34G-CM	3.7 lb (1.7 kg)	SECC/White powder coating	170.0 mm x 243.0 mm x 138.0 mm (6.7" x 9.6" x 5.4")
HBG-BB	0.67 lb (0.31 kg)	Die-cast aluminum/Gray powder coating	109.0 mm x 41.0 mm (4.29" x 1.61")
HFG-WK	1.54 lb (0.7 kg)	Die-cast aluminum/White powder coating	134 mm x 134 mm x 187.5 mm (5.3" x 5.3" x 7.4")
HFG-PK	0.46 lb (0.21 kg)	Die-cast aluminum/White powder coating	150.8 mm x 150.8 mm x 37.0 mm (5.9" x 5.9" x 1.5")

INDOOR INSTALLATIONS	
Indoor Wall Mount	H3W2GR1 / H3W2GR2 / H3W4GR1 + HD3-MK2
OUTDOOR INSTALLATIONS	
Outdoor Mini Dome Corner Mount	H4W2GR1 / H4W2GR2 / H4L2GR1 / H4W4GR1 / H4D8GR1 + HD4CHIP-WK2 + HB34G-CM
Outdoor Mini Dome Pole Mount	H4W2GR1 / H4W2GR2 / H4L2GR1 / H4W4GR1 / H4D8GR1 + HD4CHIP-WK2 + HB4G-PM
Outdoor Bullet Camera Mount	HBW2GR1 / HBW2GR3 / HBL2GR1 / HBW4GR1 / HBD8GR1 + HBG-BB
Outdoor Mini Dome Wall Mount	H4W2GR1 / H4W2GR2 / H4L2GR1 / H4W4GR1 / H4D8GR1 + HD4CHIP-WK2
Outdoor Mini Dome Pendant Mount	H4W2GR1 / H4W2GR2 / H4L2GR1 / H4W4GR1 / H4D8GR1 + HD4CHIP-PK2
Bullet Pole Mount	HBW2GR1 / HBW2GR3 / HBL2GR1 / HBW4GR1 / HBD8GR1 + HBG-BB + HB4G-PM HBW2GR1 / HBW2GR3 / HBL2GR1 / HBW4GR1 / HBD8GR1 + HB4G-PM
Bullet Corner Mount	HBW2GR1 / HBW2GR3 / HBL2GR1 / HBW4GR1 / HBD8GR1 + HBG-BB + HB34G-CM HBW2GR1 / HBW2GR3 / HBL2GR1 / HBW4GR1 / HBD8GR1 + HB34G-CM
Fisheye Wall Mount	HFD6GR1 / HFD8GR1 + HFG-PK + HFG-WK
Fisheye Pendant Mount	HFD6GR1 / HFD8GR1 + HFG-PK
Fisheye Corner Mount	HFD6GR1 / HFD8GR1 + HFG-PK + HFG-WK + HB34G-CM
Fisheye Pole Mount	HFD6GR1 / HFD8GR1 + HFG-PK + HFG-WK + HB4G-PM

ORDERING

HD4CHIP-WK2		Wall Mount Bracket
HD4CHIP-PK2		Pendant Mount Bracket
HB34G-CM		Corner Mount Adapter
HD3-MK2		Indoor Wall Mount Bracket
HGB-BB		Bullet Camera Back Box
HB4G-PM		Pole Mount Adapter
HFG-WK		Fisheye Wall Mount Bracket
HFG-PK		Fisheye Pendant Mount Bracket

For more information

www.honeywell.com/security/uk

Honeywell Security and Fire

Aston Fields Road
Whitehouse Industrial Estate
Runcorn
Cheshire
WA7 3DL
UK

Tel: 08448 000 235

Fax: +44 (0)1928 754 050

www.honeywell.com

HSFV-EQUIPMOUNT-01-UK(0217)DS-E
February 2017
© 2017 Honeywell International Inc.

Honeywell