

HES[®] 8000 Electric Strike

Works with cylindrical locksets and accommodates latchbolts up to 5/8" throw



Also available in a Complete One Box Solution

The concealed electric strike solution for cylindrical locksets.

The HES 8000 Series Electrical Strike is a compact, high performance electric strike featuring a unique concealed design for use with cylindrical locksets. No cutting on the frame is required. Simply remove the existing strike plate, adjust the vertical alignment feature to the latchbolt centerline and install. Its strength is derived from a unique keeper pin locking design, enabling the HES 8000 to exceed the ratings of the frame, door and locking hardware. This field selectable fail safe/fail secure unit is easy to install and accommodates latchbolts up to 5/8" throw.

Features

Standard Features

- No cutting on frame required
- Vertical adjustability to accommodate door sag and misalignment
- Tamper resistant
- Static strength 1,500 lbs
- Dynamic strength 70 ft-lbs
- Endurance 1 million cycles
- Field selectable fail safe/fail secure
- Non-handed
- Internally mounted solenoid
- Accommodates 1/2" – 5/8" [12.7mm – 15.9mm] cylindrical latchbolt (5/8" [15.9mm] with 1/8" [3.175mm] door gap)
- Strike body depth 1-1/16" [27.3mm]
- Strike body width 1-7/16" [36.5mm]
- Plug-in Connector
- SecuriCare five-year, no-fault, no questions asked warranty (Addition of HES SMART Pac[®] III extends the warranty to 10 years)

Optional Features

- **LBM** Latchbolt monitor

Accessories

- **2001M** Plug-in bridge rectifier
- **2004M** ElectroLynx[®] adapter
- **2005M3** SMART Pac[®] III
- **2006M** Plug-in buzzer



Grade 1



SecuriCare
Warranty



Cylindrical
Locksets



Field Selectable
(Fail secure
/Fail safe)



Dual Voltage
12/24



PoE
Friendly



Outdoor
Rated



Burglary
Rated

Specifications

Certifications

- ANSI/BHMA A156.31, Grade 1
- UL 1034 burglary-resistant listed and suitable for outdoor use
- UL 294 listed
- RoHS compliant

Frame Application

- Metal
- Wood
- Aluminum

Electrical (DC Continuous Duty)

- Dual voltage 12/24 VDC/VAC
- 240 mA at 12 VDC/120 mA at 24 VDC
- PoE friendly

Dimensions

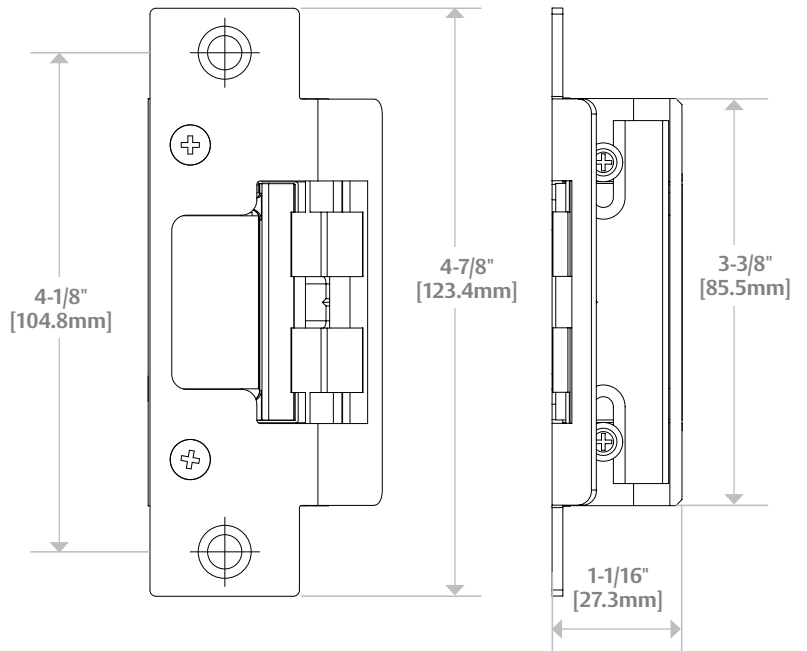


Diagram shown with 801 Option

How to Order

SERIES	MODEL	FINISH	OPTION (S)
8000	—	— 630	— LBM
8000 Universal Electric Strike; faceplates ordered separately	C* Complete Electric Strike; includes the 801 and 5801A faceplates	605 Bright Brass 606 Satin Brass 612 Satin Bronze 613 Bronze Toned 629 Bright Stainless Steel 630 Satin Stainless Steel BLK Black	LBM Latchbolt Monitor

*Complete Pacs are only available in the 630 finish

NOTE: Electric strike compatibility is determined at time of electric strike product release. ASSA ABLOY is not responsible for incompatibility of products that have changed in design or craftsmanship by their respective manufacturers. When compatibility is a concern, contact Customer Support for application assistance.